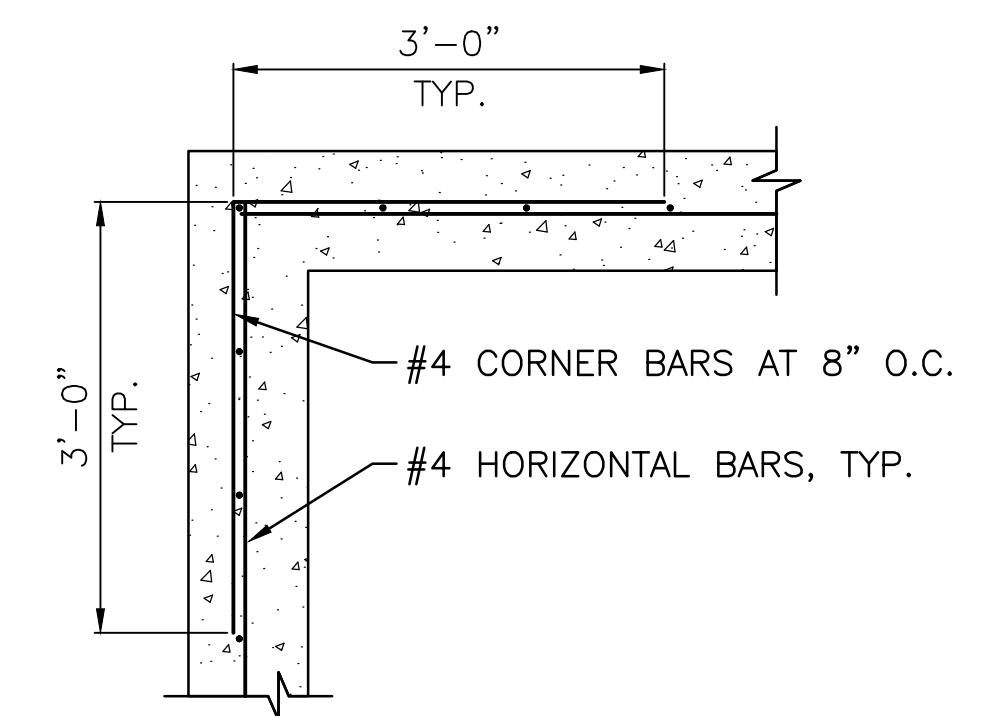
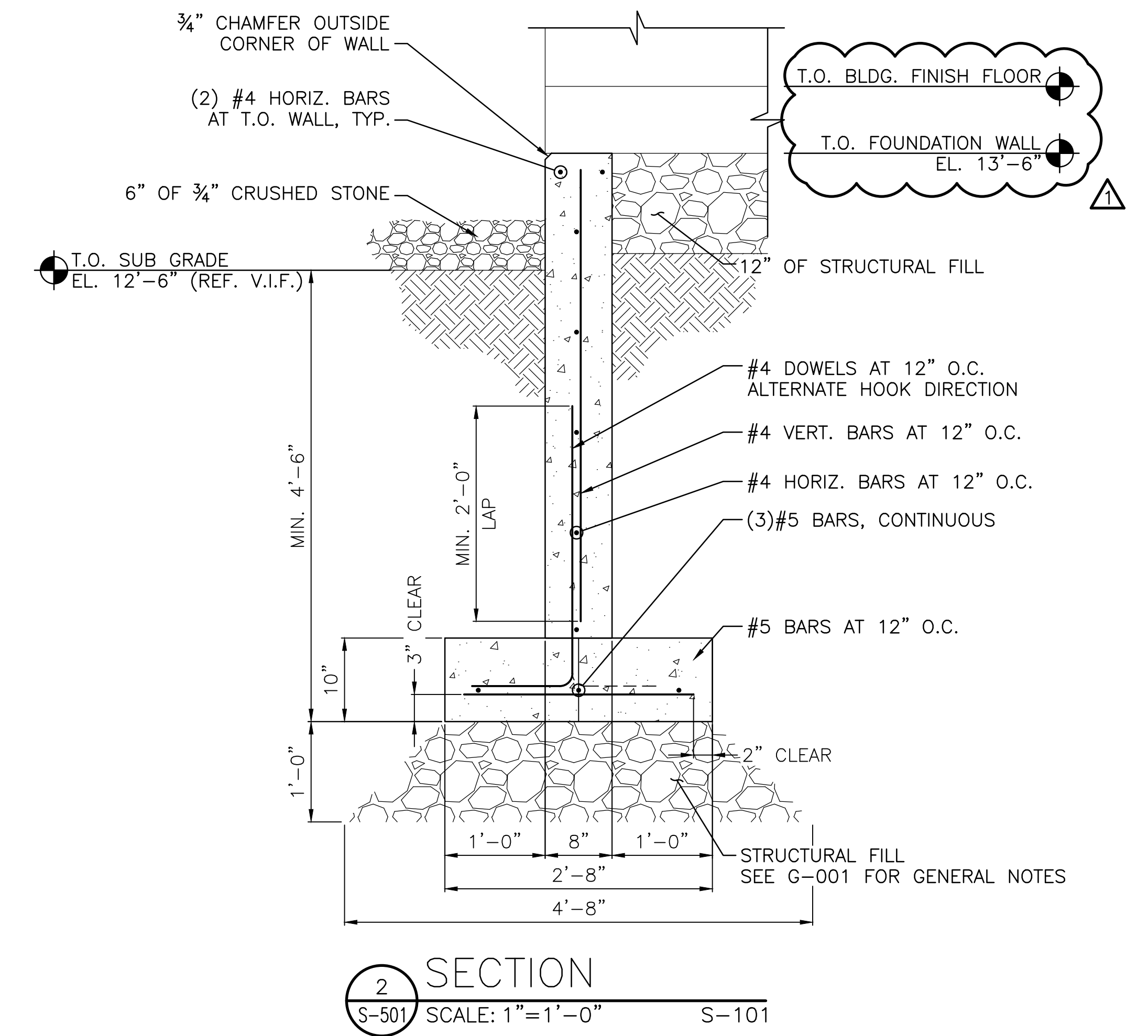
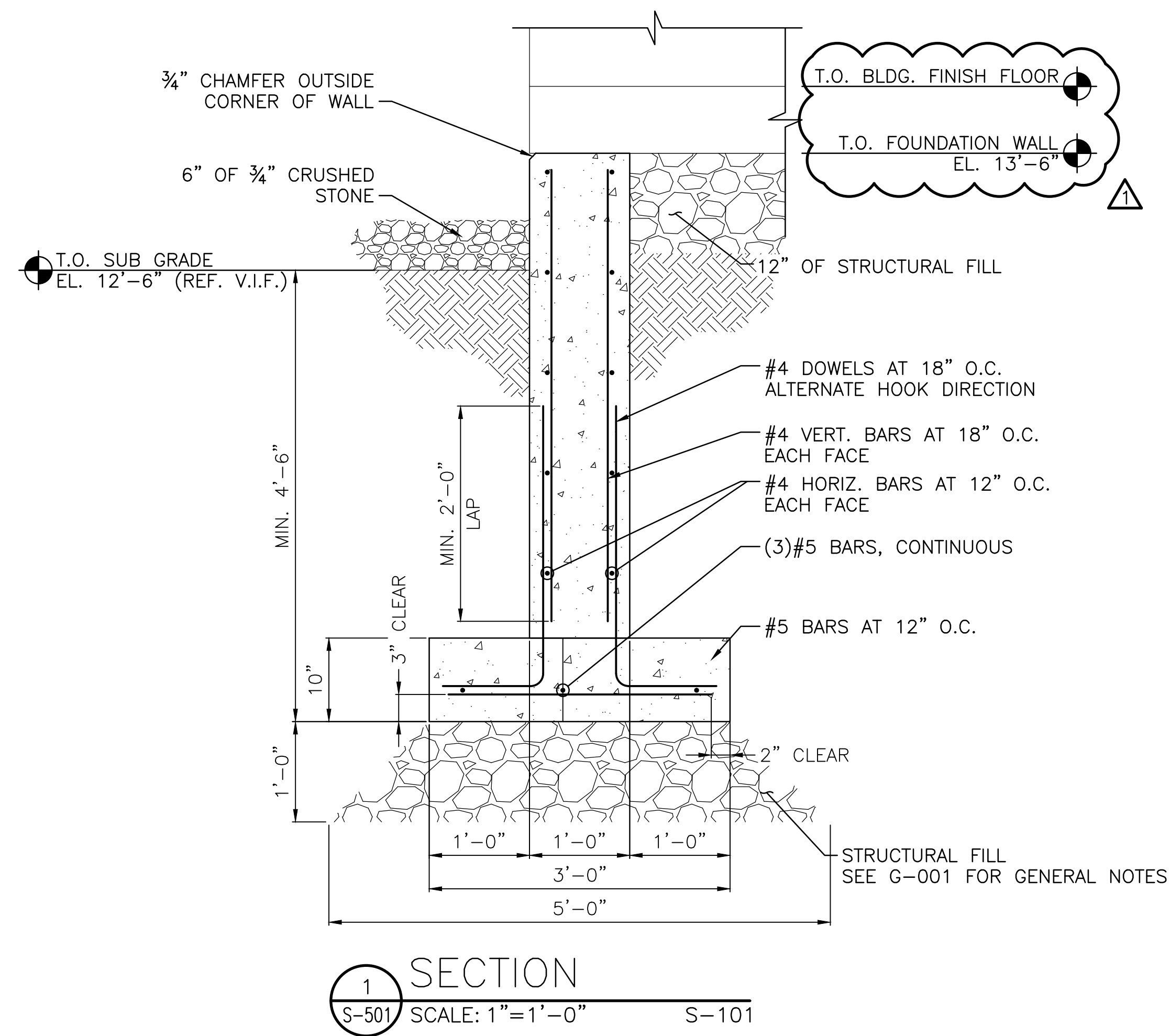


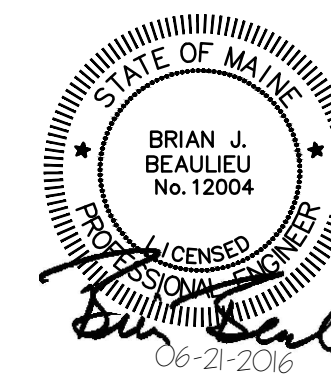
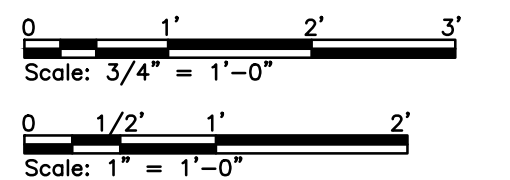
NOTES:

- SEE DRAWING G-001 FOR GENERAL NOTES.



TYP. WALL REINFORCEMENT

SCALE: 3/4"=1'-0"



PLEASE NOTE: THIS DOCUMENT MAY NOT ACCURATELY REPRESENT THE FINAL DOCUMENT. ONLY AN ENGINEER, ARCHITECT OR SURVEYOR SIGNED, SEALED AND DATED PAPER COPY, PROVIDED BY THIS OFFICE, MAY BE UTILIZED FOR BIDDING OR CONSTRUCTION PURPOSES.

SIZE:	ANSI D
DATE:	DATE
DES BY:	AKG
DWN BY:	AKG
CKD BY:	BJB

PROCESS PIPELINE SERVICES	
232 WEST COMMERCIAL STREET PRESSURE REGULATING STATION FOUNDATION	
FOUNDATION DETAILS	
PROJECT NO. 312.002.001	DRAWING NO. <b>S-501</b>
SHEET 3 OF 4	