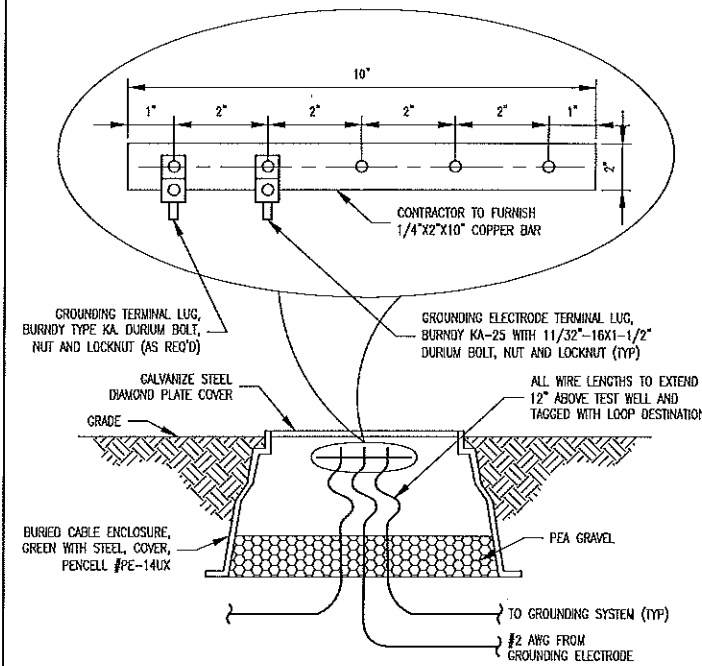


GROUND ROD INSTALLATION DETAIL
SCALE: 3/4" = 1'-0"



GROUND DISCONNECT TEST WELL DETAIL
SCALE: NTS

E-Z LINE FIGURE NUMBER LEGEND

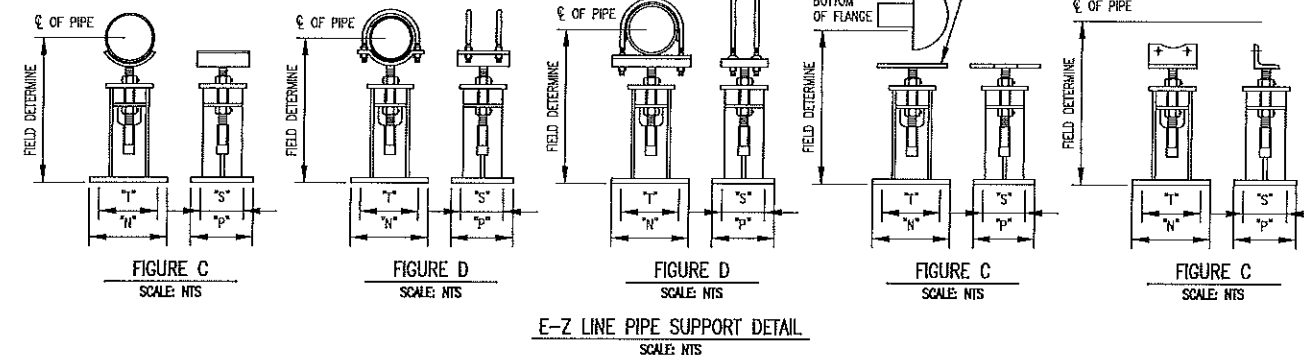
FIGURE #	HEAD TYPE	BASE PLATE TYPE
"X"	120# CRADLE (FORMED TO FIT PIPE SIZE)	NONE
"C"	120# CRADLE (FORMED TO FIT PIPE SIZE)	PLAIN (NO HOLES)
"E"	120# CRADLE (FORMED TO FIT PIPE SIZE)	W/4 SLOTTED HOLES
"B"	120# CRADLE W/2 U-BOLTS	NONE
"D"	120# CRADLE W/2 U-BOLTS	PLAIN (NO HOLES)
"T"	120# CRADLE W/2 U-BOLTS	W/4 SLOTTED HOLES
VALVE SUPPORTS		
"A" VS	RECTANGULAR OR CIRCULAR PLATE TO SUPPORT VALVE	NONE
"C" VS	RECTANGULAR OR CIRCULAR PLATE	PLAIN (NO HOLES)
"E" VS	RECTANGULAR OR CIRCULAR PLATE	W/4 SLOTTED HOLES
FLANGE SUPPORTS		
"X" FS	ANGLE HEAD TO SUPPORT FLANGE	NONE
"C" FS	ANGLE HEAD TO SUPPORT FLANGE	PLAIN (NO HOLES)
"E" FS	ANGLE HEAD TO SUPPORT FLANGE	W/4 SLOTTED HOLES

E-Z LINE PIPE SUPPORT SCHEDULE

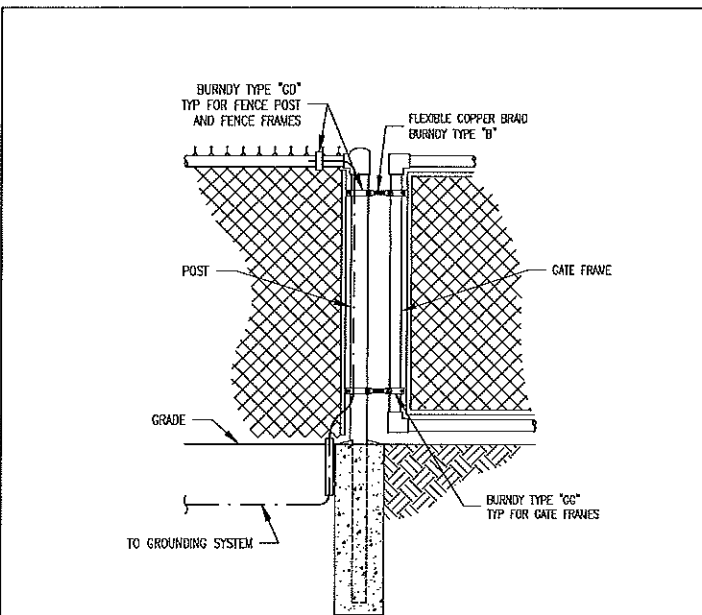
PIPE SIZE	MODEL #	BASE PLATE SIZE		THICK	HOLE CENTER		HOLE SIZE
		"N"	"P"		"T"	"S"	
2"	204	8"	6"	1/2"	5"	3-1/2"	5/8"
2-1/2"	204	8"	6"	1/2"	5"	3-1/2"	5/8"
3"	204	8"	6"	1/2"	5"	3-1/2"	5/8"
3-1/2"	204	8"	6"	1/2"	5"	3-1/2"	5/8"
4"	204	8"	6"	1/2"	5"	3-1/2"	5/8"
6"	510	10"	8"	5/8"	7"	5-1/2"	5/8"
8"	510	10"	8"	5/8"	7"	5-1/2"	5/8"
10"	510	10"	8"	5/8"	7"	5-1/2"	5/8"
12"	1218	12"	10"	5/8"	9"	7-1/2"	3/4"
14"	1218	12"	10"	5/8"	9"	7-1/2"	3/4"

E-Z LINE PIPE SUPPORT SCHEDULE

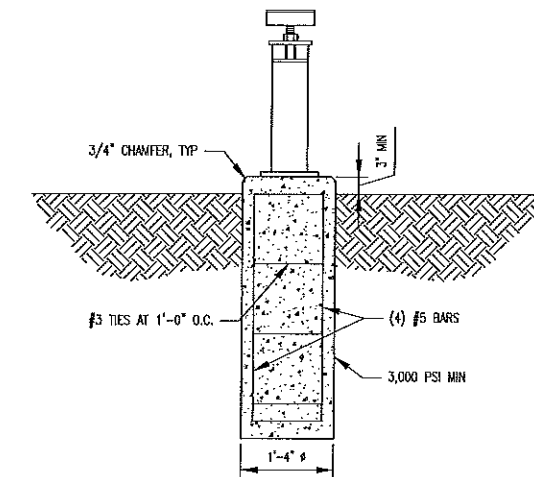
PIPE SIZE	MODEL #	BASE PLATE SIZE		THICK	HOLE CENTER		HOLE SIZE
		"N"	"P"		"T"	"S"	
16"	1218	12"	10"	5/8"	9"	7-1/2"	3/4"
18"	1218	12"	10"	5/8"	9"	7-1/2"	3/4"
20"	2024	12"	10"	5/8"	9"	7-1/2"	3/4"
22"	2024	12"	10"	5/8"	9"	7-1/2"	3/4"
24"	2024	12"	10"	5/8"	9"	7-1/2"	3/4"
26"	2632	14"	12"	3/4"	11"	9-1/2"	3/4"
28"	2632	14"	12"	3/4"	11"	9-1/2"	3/4"
30"	2632	14"	12"	3/4"	11"	9-1/2"	3/4"
32"	2632	14"	12"	3/4"	11"	9-1/2"	3/4"
36"	2632	14"	12"	3/4"	11"	9-1/2"	3/4"



E-Z LINE PIPE SUPPORT DETAIL
SCALE: NTS



FENCE AND SWING GATE GROUNDING DETAIL
SCALE: NTS

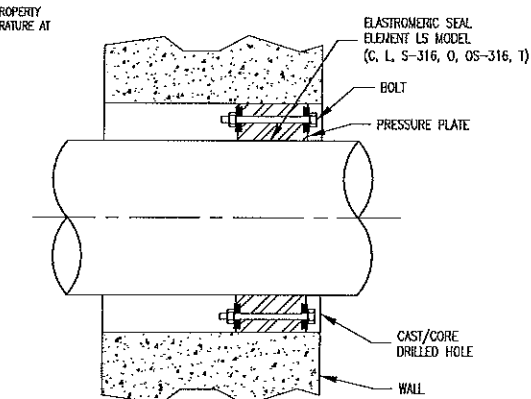


PIPE SUPPORT FOUNDATION DETAIL
SCALE: 3/4" = 1'-0"

LS MODEL	SEAL ELEMENT	BOLTS/NUTS	PRESSURE PLATE
C	EPDM (BLACK)	ZINC DICHROMATE/ORGANIC COATED CARBON STEEL BOLT	REINFORCED NYLON POLYMER
L	EPDM (BLUE)	ZINC DICHROMATE/ORGANIC COATED CARBON STEEL BOLT	REINFORCED NYLON POLYMER
O	NITRILE	ZINC DICHROMATE/ORGANIC COATED CARBON STEEL BOLT	REINFORCED NYLON POLYMER
T	SILICONE	ZINC DICHROMATE/ORGANIC COATED CARBON STEEL BOLT	STEEL ZINC DICHROMATE
(C,L,O)+S-316	(SEE MODEL OPTIONS)	316 STAINLESS STEEL	REINFORCED NYLON POLYMER

SLEEVE MODEL	DESCRIPTION	MATERIAL
CS	CENTURY-LINE SLEEVE	HDPE
WS	STEEL WALL SLEEVE	STEEL

FOR MORE MATERIAL PROPERTY INFORMATION, SEE LITERATURE AT WWW.LINKSEAL.COM



LINK-SEAL MODULAR SEALS WITH CAST OR CORE DRILLED WALL OPENING MANUFACTURED BY PIPELINE SEAL & INSULATOR, INC. HOUSTON, TEXAS, U.S.A. TEL: 800-423-2410 EMAIL: INFO@PSIPS.COM

LINK-SEAL DETAIL
SCALE: NTS

ISSUED FOR BID

REV	BY	DATE	DESCRIPTION	DWG NO.	REFERENCE DRAWINGS	SEAL AND SIGNATURE

PRJ MANAGER: MARK D. WOOD	DESIGNED BY: MDW	05/20/16
PRJ ENGINEER: MARK D. WOOD	DRAFTED BY: RPG	05/20/16
PRJ NAME: WEST COMMERCIAL STREET	CHECKED BY: SMR	05/20/16
PRJ NUMBER: 5183	APPROVED BY: MDW	05/20/16
PRJ MILESTONE: ISSUED FOR BID		
PRJ PHASE: ISSUED FOR BID		

CLIENT INFORMATION	DESIGN MANAGER: TIM BICKFORD	REVIEWED BY:
	ME GAS OPERATIONS	CHECKED BY:
		APPROVED BY:

SHEET TITLE	STANDARD DETAILS
	SHEET 2 OF 3
PROJECT NAME	WEST COMMERCIAL STREET
	REGULATOR STATION
PROJECT LOCATION	PORTLAND, ME 04101

	1800 Providence Highway Walpole, MA 02081 781.829.0624 process@pipeline-services.com
FILE NAME: 5183_COOLDNG	SIZE: 22X34
PLOT DATE: 05/16/2016 10:39 AM	SHEET: C02
SCALE: AS SHOWN	REV: F
	SHEET 34 OF 35