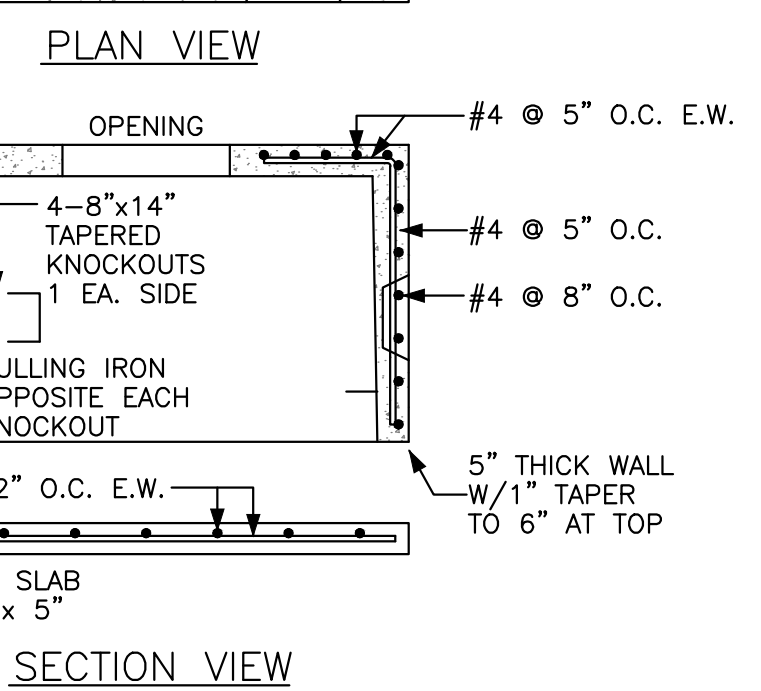
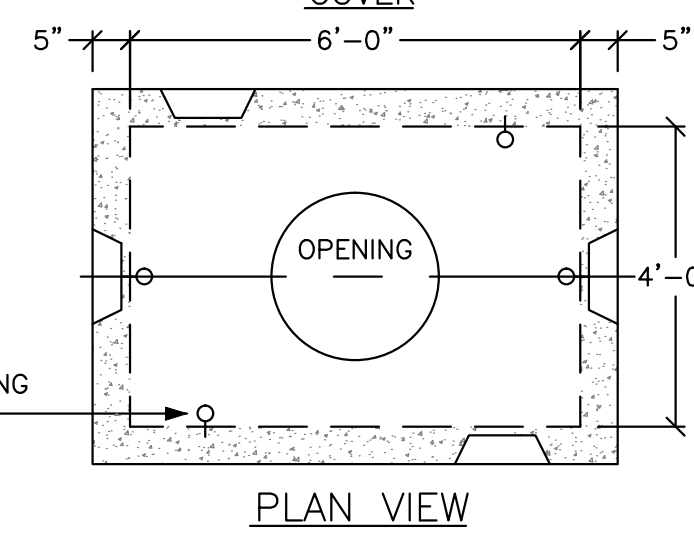
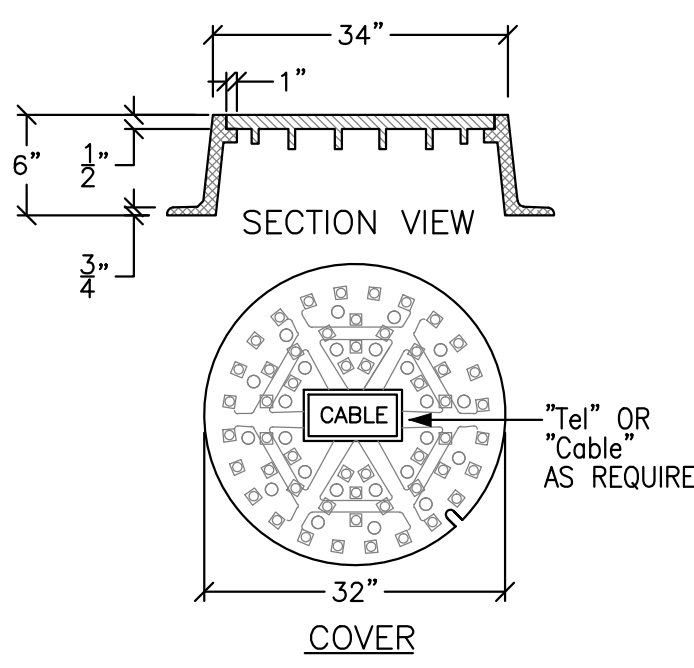


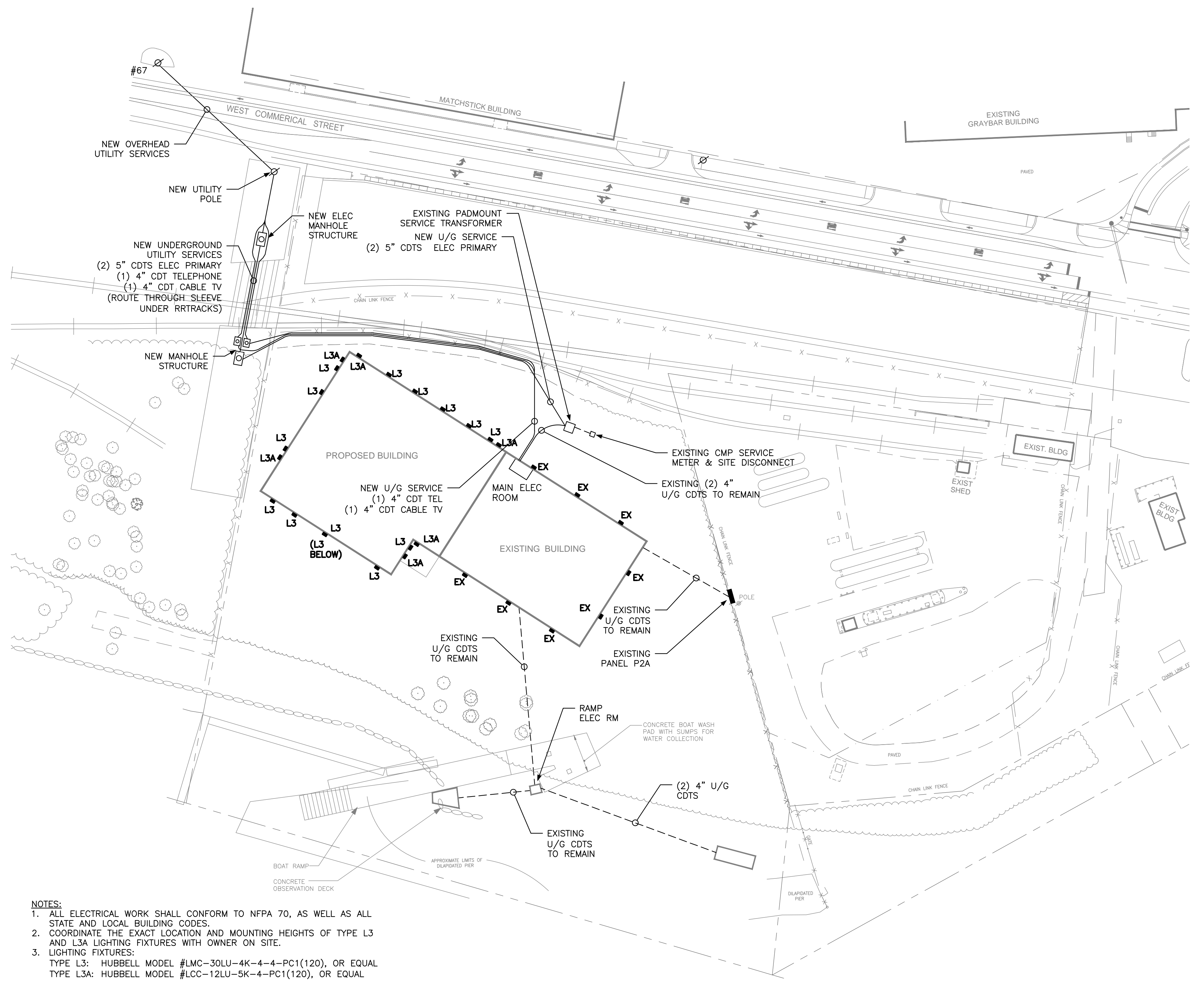
**ELECTRICAL MANHOLE**  
NOT TO SCALE

**ELECTRICAL MANHOLE DETAIL NOTES:**  
 1. VAULT SHALL BE DESIGNED TO WITHSTAND LOADING WITH 6" OF OVERBURDEN. THE DESIGN SHALL ALSO COMPLY WITH THE STRENGTH REQUIREMENTS OF NATIONAL ELECTRICAL SAFETY CODE SECTION 323A. PROVIDE SHOP DRAWINGS STAMPED BY A STATE OF MAINE REGISTERED PROFESSIONAL ENGINEER UPON REQUEST.  
 2. JOINTS SEALED WITH ASPHALT.  
 3. MOUNTINGS FOR CABLE RACKS, ETC. CAST IN WALL BY FURTHER PLANS OR FIELD LOCATED.  
 4. MANHOLE SHALL BE SET ON A SUITABLE GRAVEL BASE.  
 5. CABLES ARE TO BE RACKED ALONG ONE WALL ONLY.



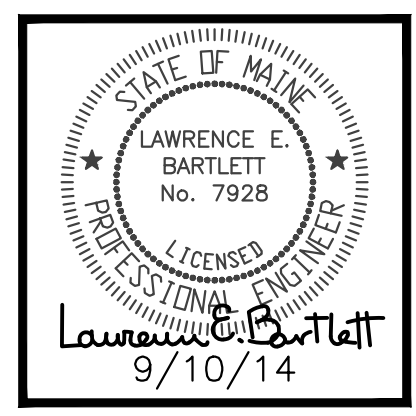
**CABLE TV/TELEPHONE MANHOLE DETAIL NOTES:**  
 1. CONCRETE: 4,000 PSI @ 28DAYS.  
 2. USE 32IN COVER AND FRAME MARKED ELEC OR COMM AS REQUIRED. MINIMUM ONE COURSE BRICK TO GRADE.  
 3. MOUNTINGS FOR CABLE RACKS ETC. CAST IN WALL BY FUTURE PLANS OR FIELD LOCATED.  
 4. SPLICE BOX SHALL BE SET ON A SUITABLE GRAVEL BASE.  
 5. REINFORCING: GRADE 60 REBAR:  
 -REINFORCING PLACED IN CENTER IF CONCRETE SLAB, WALLS, & ROOF.  
 -#4 @ 5IN O.C. VERTICAL IN WALLS, CANTILEVERED OVER TOP OF OPENING  
 -#4 @ 8IN O.C. HORIZONTALLY IN WALLS  
 -4 PIECES #4 SURROUNDING OPENING  
 -#4 @ 5IN O.C. EACH WAY ON TOP  
 6. MANHOLE FRAMES AND COVERS ARE TO BE MACHINED TO A SMOOTH FIT AND SHALL BE OF GRAY CAST IRON.  
 7. COVER SHALL HAVE DIAMOND TOP SURFACE.

**TELEPHONE & CABLE MANHOLE**  
NOT TO SCALE



**NOTES:**  
 1. ALL ELECTRICAL WORK SHALL CONFORM TO NFPA 70, AS WELL AS ALL STATE AND LOCAL BUILDING CODES.  
 2. COORDINATE THE EXACT LOCATION AND MOUNTING HEIGHTS OF TYPE L3 AND L3A LIGHTING FIXTURES WITH OWNER ON SITE.  
 3. LIGHTING FIXTURES:  
 TYPE L3: HUBBELL MODEL #LMC-30LU-4K-4-4-PC1(120), OR EQUAL  
 TYPE L3A: HUBBELL MODEL #LCC-12LU-5K-4-4-PC1(120), OR EQUAL

SCALE: 1" = 60'-0"



**Bartlett Design**  
 LIGHTING & ELECTRICAL ENGINEERING  
 942 WASHINGTON STREET, BATH, ME 04530  
 TEL (207) 443-5447 FAX (207) 443-5580

date drawn: 09/11/14  
 date issued: 09/11/14  
 drawn by: LEB  
 scale: AS NOTED

project **CANAL LANDING BOAT YARD**  
 PORTLAND, MAINE  
 drawing title **ELECTRICAL SITE PLAN & DETAILS**

project no. 13-0049a  
 revisions:

**E1.0**  
 sheet number