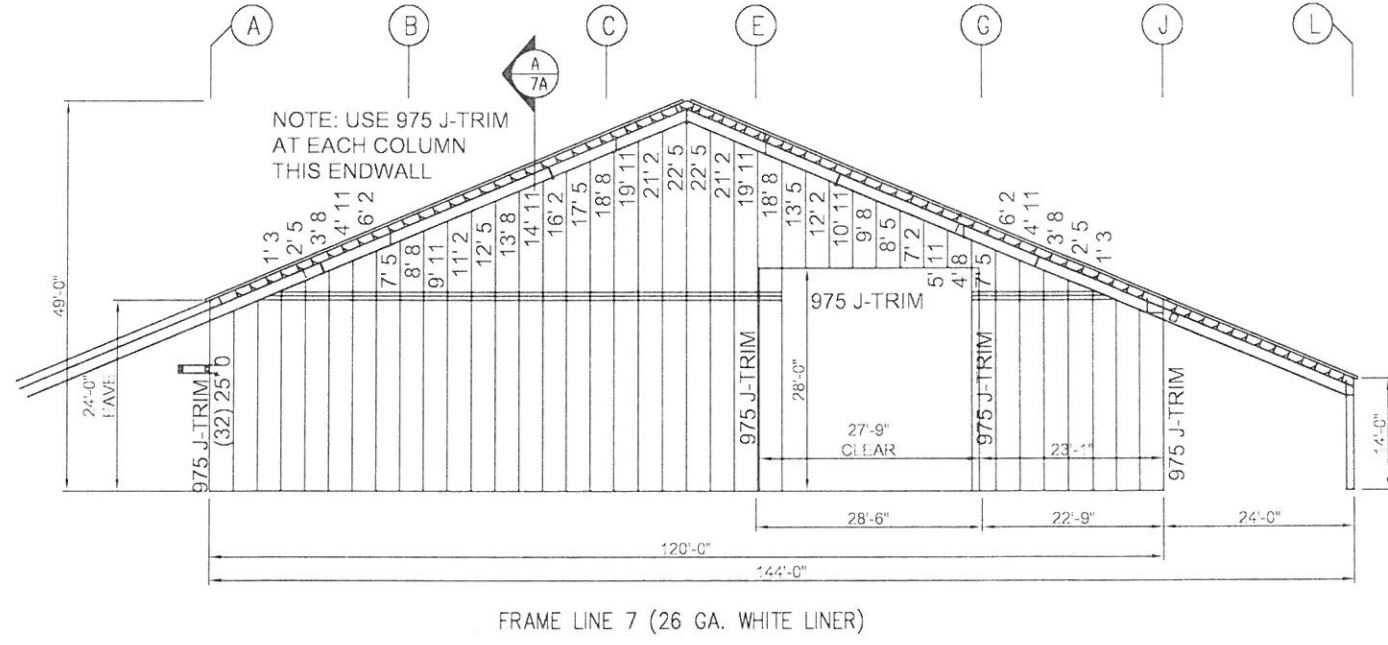
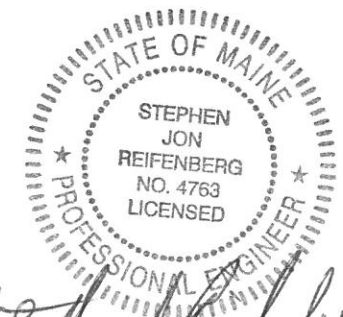


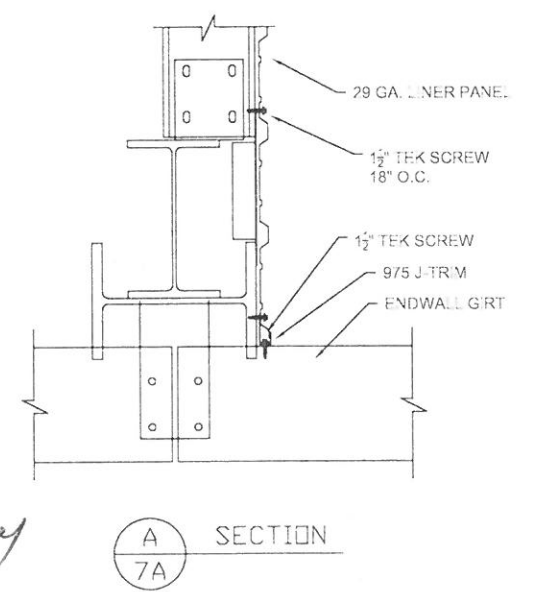
975 LINER PANEL FASTENER LOCATIONS
(SIDE LAP FASTENERS NOT REQUIRED)



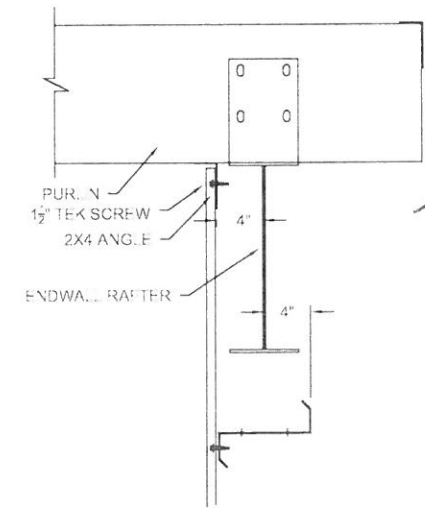
FRAME LINE 7 (26 GA. WHITE LINER)



Stephen Reifenberg
9/17/14



A SECTION
7A



B SECTION
7A

ERECTION REQUIRES MINOR ADJUSTMENTS

ESSEX STRUCTURAL STEEL CO., INC.
CORTLAND, NEW YORK 13045

REVISIONS	PROJECT: CANAL LANDING 100 WEST COMMERCIAL STREET PORTLAND, MAINE 04101	CONTRACTOR: IRISHSPAN INDUSTRIES PROJECT NO.: S-1468	TITLE: LINER PANEL	SHEET: 7A
	DRAWN BY: JCK			