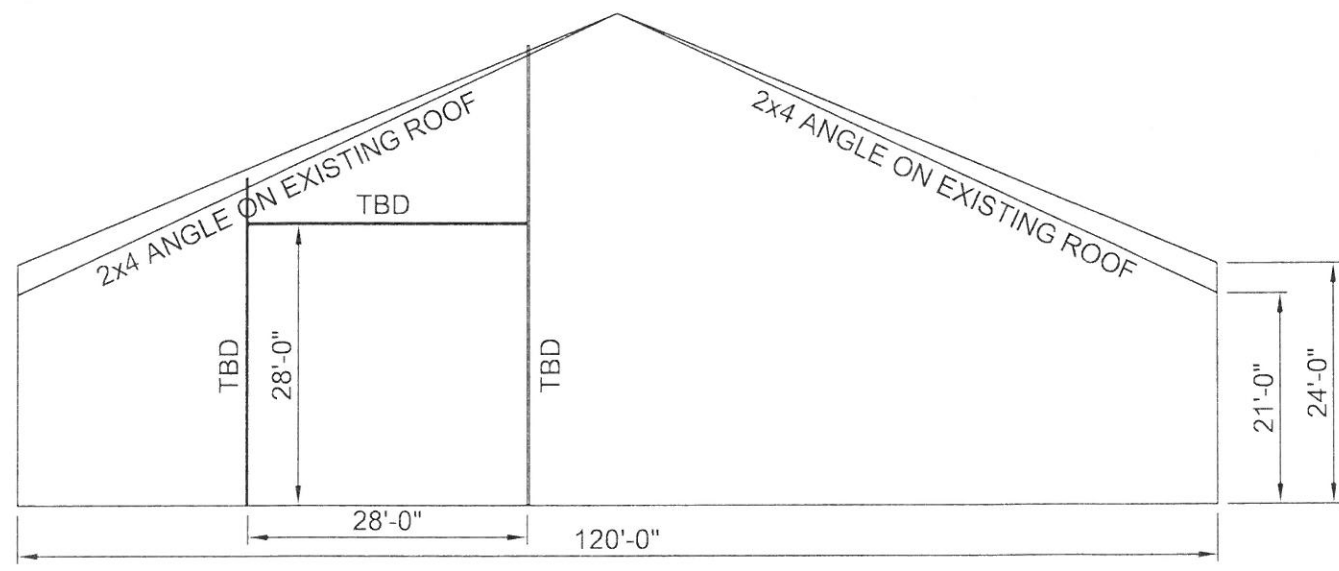
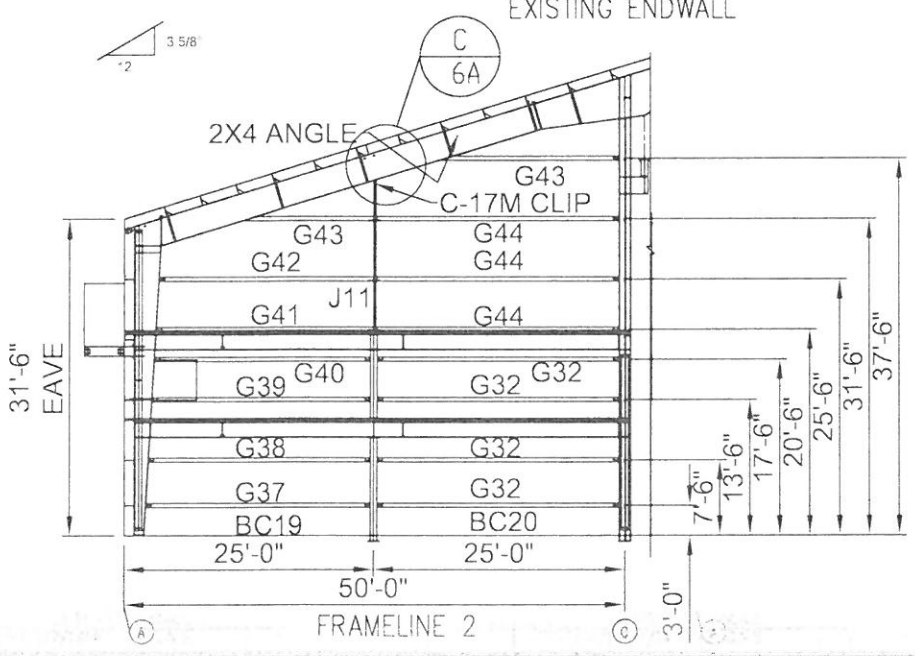


ENDWALL FRAMING: FRAME LINE 7

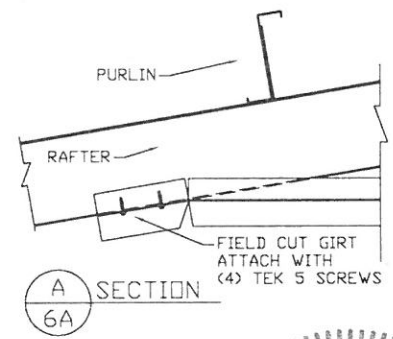
QTY	PART MARK	DESCRIP	LENGTH
4	G32	8Z25 14	24' 0-7/16
1	G37	8Z25 14	22' 5-7/16
1	G38	8Z25 14	22' 2-5/16
1	G39	8Z25 14	21' 10-1/8
1	G40	8Z25 14	21' 7-3/8
1	G41	8Z25 14	21' 9-5/16
1	G42	8Z25 14	21' 5-13/16
3	G43	8Z25 14	20' 0
3	G44	8Z25 14	24' 0-15/16
4	G45	8Z25 14	20' 2-5/8
1	G46	8Z25 14	27' 8-1/2
1	G47	8Z25 14	22' 0
7	G48	8Z25 14	17' 11-1/2
6	G49	8Z25 14	24' 3-1/2
4	G50	8Z25 14	22' 7-3/4
1	J11	8Z25 12	15' 3
1	H7	8Z25 12	27' 8-1/2
1	BC19	8Z25 16	22' 7-1/4
1	BC20	8Z25 16	24' 0-1/2



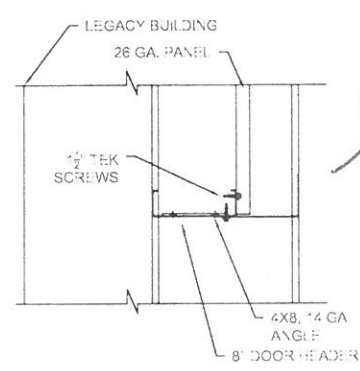
EXISTING ENDWALL



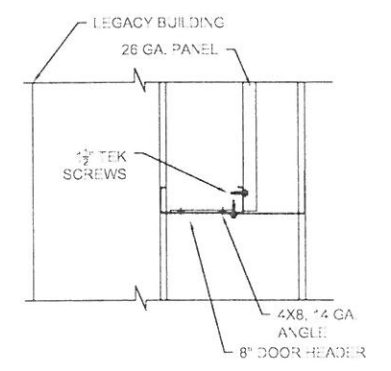
FRAMELINE 2



SECTION A 6A



SECTION B 6A



SECTION B 6A

STATE OF MAINE
 STEPHEN JON REIFENBERG
 NO. 4763
 LICENSED PROFESSIONAL ENGINEER
Stephen Reifenberg
 9/15/14

ERECTION REQUIRES MINOR ADJUSTMENTS

ESSEX STRUCTURAL STEEL CO., INC.
 CORTLAND, NEW YORK 13045

REVISIONS	PROJECT:	CANAL LANDING 100 WEST COMMERCIAL STREET PORTLAND, MAINE 04101	SHEET:
	CONTRACTOR:	IRISHSPAN INDUSTRIES	6A
	PROJECT NO.:	S-1468	
	TITLE:	ENDWALL FRAMING PLAN	
	DRAWN BY:	JCK	
	DATE:	7/1/14	
	SCALE:	D.N.S.	