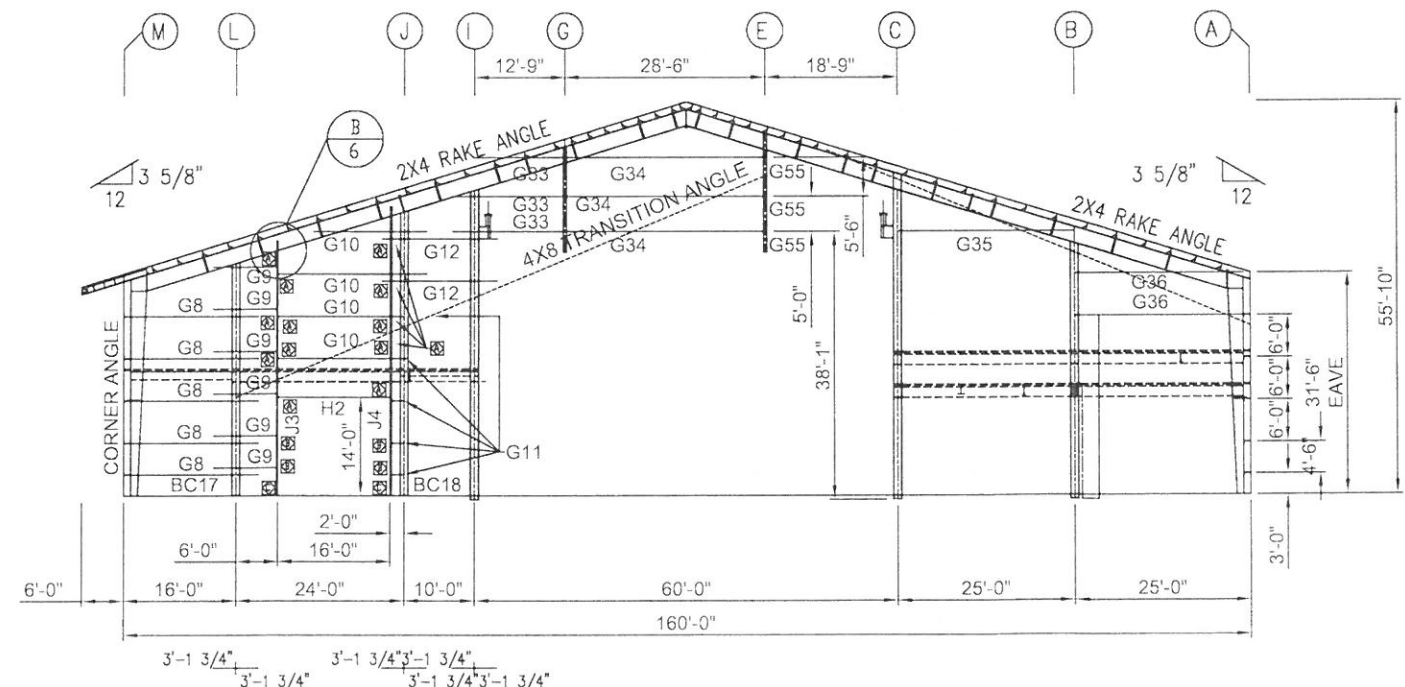
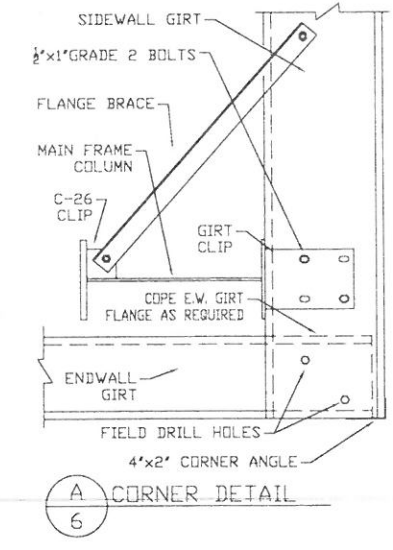


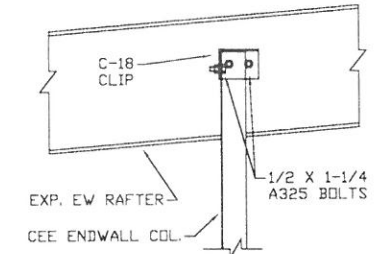
ENDWALL FRAMING: FRAME LINE 1



ENDWALL FRAMING: FRAME LINE 6

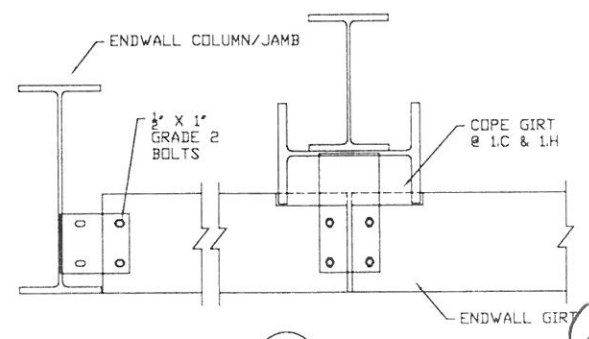


A CORNER DETAIL



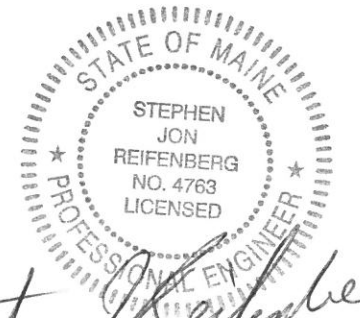
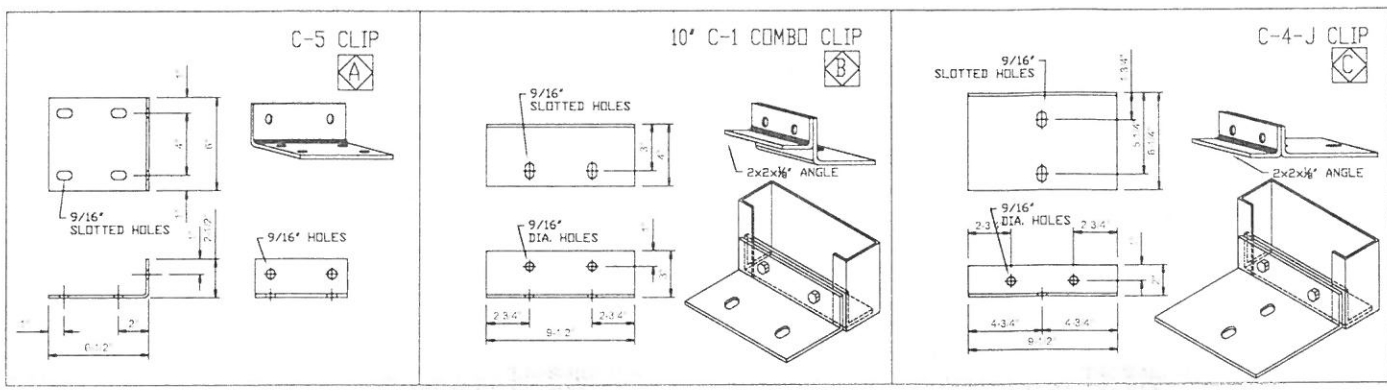
ERECTOR NOTE:
EXP. EW RAFTER ARE TO BE FIELD
DRILLED WITH 9/16 HOLES FOR
1/2 X 1-1/4 A325 BOLTS

B SECTION



C SECTION

QTY	PART MARK	DESCRIP	LENGTH
13	G1	10Z35 12	28' 1-1/2
2	G2	10Z35 12	5' 4
6	G3	10Z35 14	5' 3-1/2
16	G4	10Z35 14	4' 3-3/8
7	G5	10Z35 14	3' 8
4	G6	10Z35 12	19' 11-1/2
6	G7	10Z35 12	25' 8
5	G8	10Z35 14	19' 1-1/2
6	G9	10Z35 14	8' 10
4	G10	10Z35 14	15' 11-1/2
5	G11	10Z35 14	2' 0
2	G12	10Z35 14	14' 10
3	G33	10Z25 14	15' 7-1/2
3	G34	10Z35 12	27' 9-1/2
1	G35	10Z25 12	25' 7-1/2
2	G36	10Z35 12	25' 3-1/2
3	G55	10Z35 12	18' 8-1/2
1	J1	10C25 12	37' 7
1	J2	10C25 12	43' 7
1	J3	10C25 12	36' 2
1	J4	10C25 12	41' 0
1	H1	10C25 12	19' 11-1/2
1	H2	10C25 12	15' 11-1/2
2	BC14	10C25 16	24' 11-1/2
1	BC15	10C25 16	29' 3-3/4
1	BC16	10C25 16	8' 0-3/4
1	BC17	10C25 16	21' 9
1	BC18	10C25 16	1' 9



Stephen Reifenberg
9/15/14

ERECTION REQUIRES MINOR ADJUSTMENTS

ESSEX STRUCTURAL STEEL CO., INC. CORTLAND, NEW YORK 13045			
REVISIONS	PROJECT:	CANAL LANDING 100 WEST COMMERCIAL STREET PORTLAND, MAINE 04101	
	CONTRACTOR:	IRISHSPAN INDUSTRIES	
	PROJECT NO.:	S-1468	
	TITLE:	ENDWALL FRAMING PLAN	
	DRAWN BY:	JCK	DATE: 7/1/14
	SCALE:	D.N.S.	
	SHEET:	6	