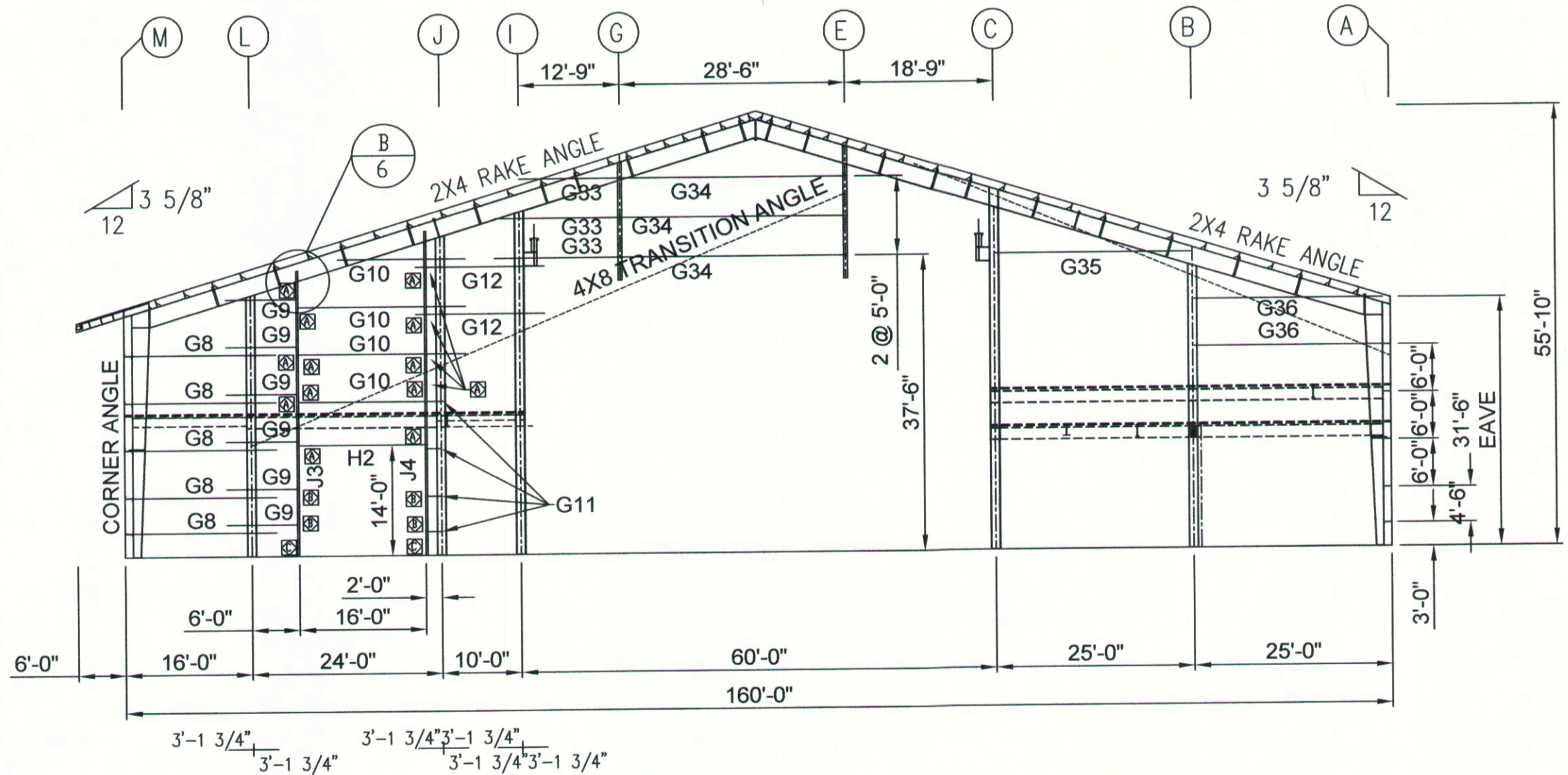
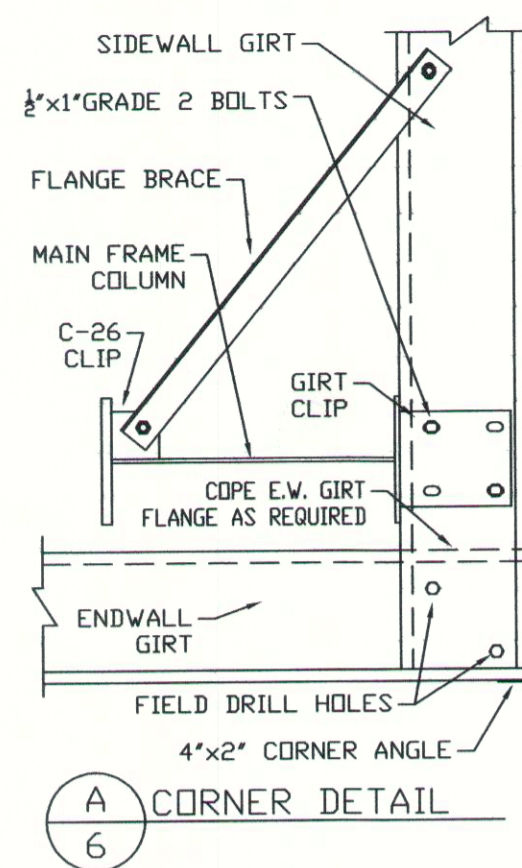


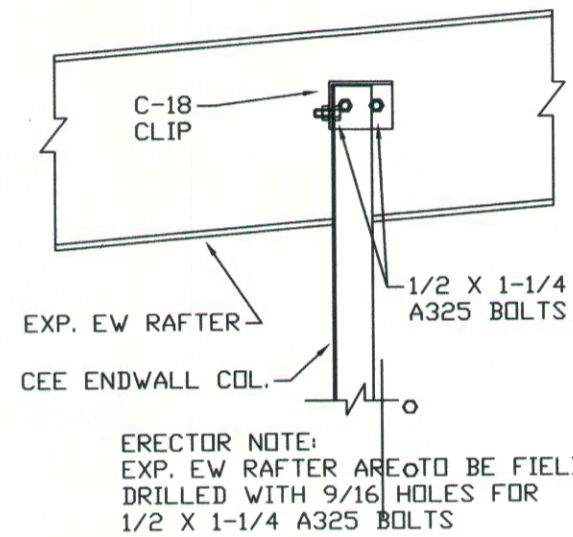
ENDWALL FRAMING: FRAME LINE 1



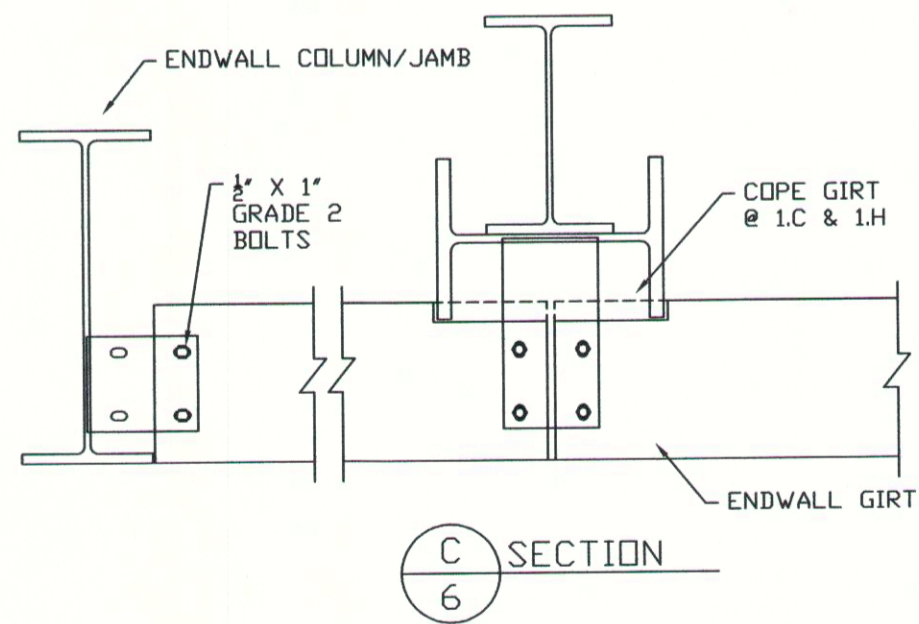
ENDWALL FRAMING: FRAME LINE 6



A CORNER DETAIL

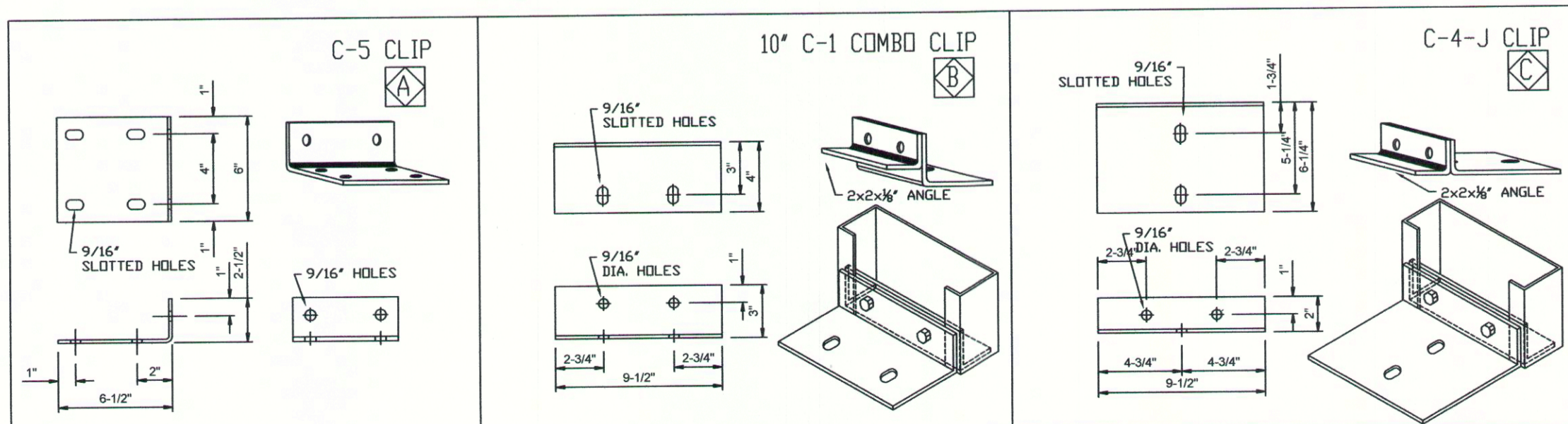


B SECTION



C SECTION

QTY	PART MARK	DESCRIP	LENGTH
13	G1	10Z35 12	28' 1-1/2"
2	G2	10Z35 12	5' 3-1/2"
6	G3	10Z35 14	5' 3-1/2"
16	G4	10Z35 14	4' 3-3/8"
7	G5	10Z35 14	3' 8"
4	G6	10Z35 12	19' 11-1/2"
6	G7	10Z35 12	25' 8"
5	G8	10Z35 14	19' 1-1/2"
6	G9	10Z35 14	8' 10"
4	G10	10Z35 14	15' 11-1/2"
4	G11	10Z35 14	2' 6"
2	G12	10Z35 14	2' 6"
3	G33	10Z25 14	15' 7"
3	G34	10Z35 12	27' 10-1/2"
1	G35	10Z25 12	25' 7-1/2"
2	G36	10Z35 12	25' 3-1/2"
1	J1	10C25 12	36' 0-7/16"
1	J2	10C25 12	42' 1-1/8"
1	J3	10C25 12	34' 9-3/4"
1	J4	10C25 12	39' 8-1/16"
1	H1	10C25 12	19' 11-1/2"
1	H2	10C25 12	15' 11-1/2"



ERECTION REQUIRES MINOR ADJUSTMENTS

ESSEX STRUCTURAL STEEL CO., INC.
CORTLAND, NEW YORK 13045

REVISIONS	PROJECT:	CANAL LANDING	SHEET:
	100 WEST COMMERCIAL STREET		
	PORTLAND, MAINE 04101		
	CONTRACTOR:	IRISHSPAN INDUSTRIES	
	PROJECT NO.:	S-1468	
	TITLE:	ENDWALL FRAMING PLAN	
	DRAWN BY:	JCK	
	DATE:	7/1/14	
	SCALE:	D.N.S.	