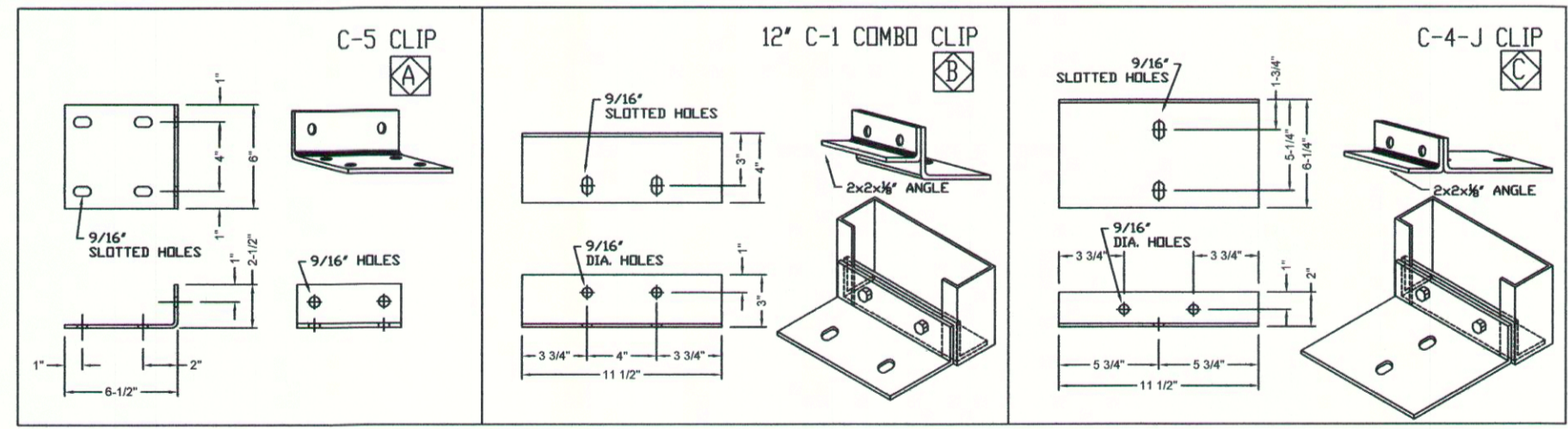


QTY	PART MARK	DESCRIP	LENGTH
5	G21	12Z35 12	32' 8
8	G22	12Z35 12	23' 11-1/2
10	G23	12Z35 12	5' 4-1/2
6	G24	12Z35 12	11' 11-1/2
4	G25	12Z35 12	13' 2
5	G26	12Z35 12	32' 1-1/2
10	G27	12Z35 12	34' 3-1/2
5	G28	12Z35 12	33' 3-1/2
10	G29	12Z35 12	10' 10
4	G30	12Z35 12	5' 8
4	G31	12Z35 12	1' 8
5	G37	12Z35 12	3' 4-1/2
5	G38	12Z35 12	7' 4-1/2
1	G39	12Z35 12	3' 10
8	J7	12C35 12	30' 4-15/16
2	J8	12C25 12	22' 10-1/2
2	J9	12C35 12	22' 10-1/2
1	H1	12C35 12	19' 11-1/2
4	H3	12C35 12	23' 11-1/2
2	H4	12C25 12	11' 11-1/2



QTY	PART MARK	DESCRIP	LENGTH
8	PFC3	WEB: 14-3/4" X 3/16" FLG.: 8" X 5/8"	29' 10-5/8
4	PFR2	WEB: 15" X 3/16" FLG.: 8" X 1/2"	27' 3-11/16

QTY	PART MARK	DESCRIP	LENGTH
4	CB1	1" ROD	37' 6
4	CB2	1" ROD	38' 9

ERECTION REQUIRES MINOR ADJUSTMENTS

ESSEX STRUCTURAL STEEL CO., INC.
CORTLAND, NEW YORK 13045

REVISIONS	PROJECT:	CONTRACTOR:	TITLE:	SHEET:
	CANAL LANDING	IRISHSPAN INDUSTRIES	SIDEWALL FRAMING PLAN	5
	100 WEST COMMERCIAL STREET			
	PORTLAND, MAINE 04101			
	PROJECT NO.: S-1468			
	DATE: 7/1/14	SCALE: D.N.S.		
	DRAWN BY: JCK			