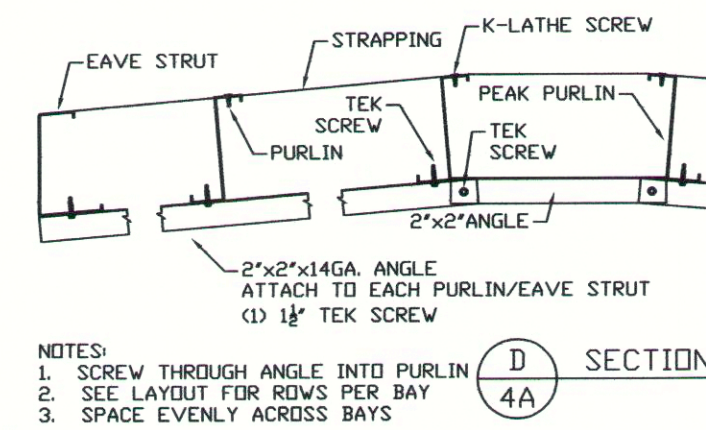
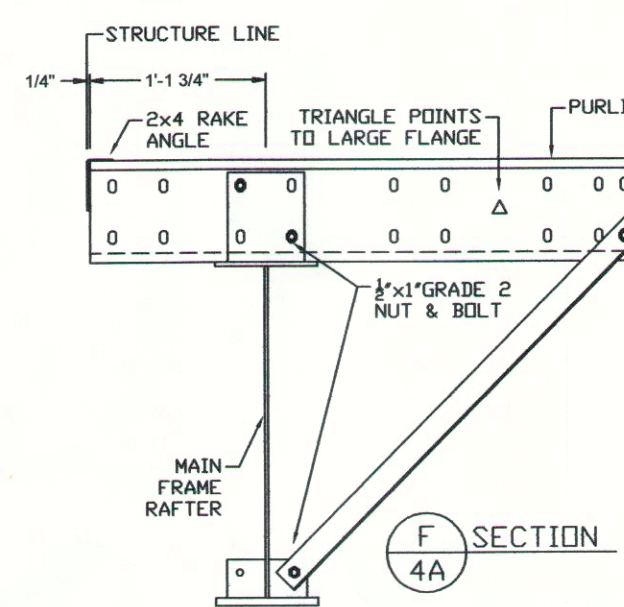
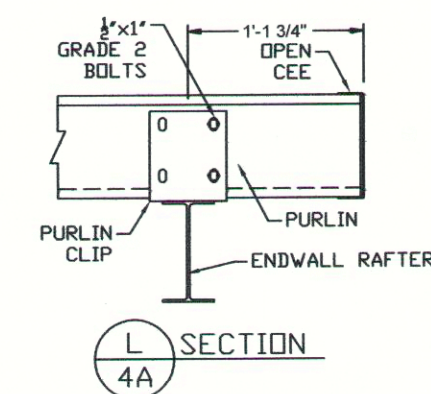
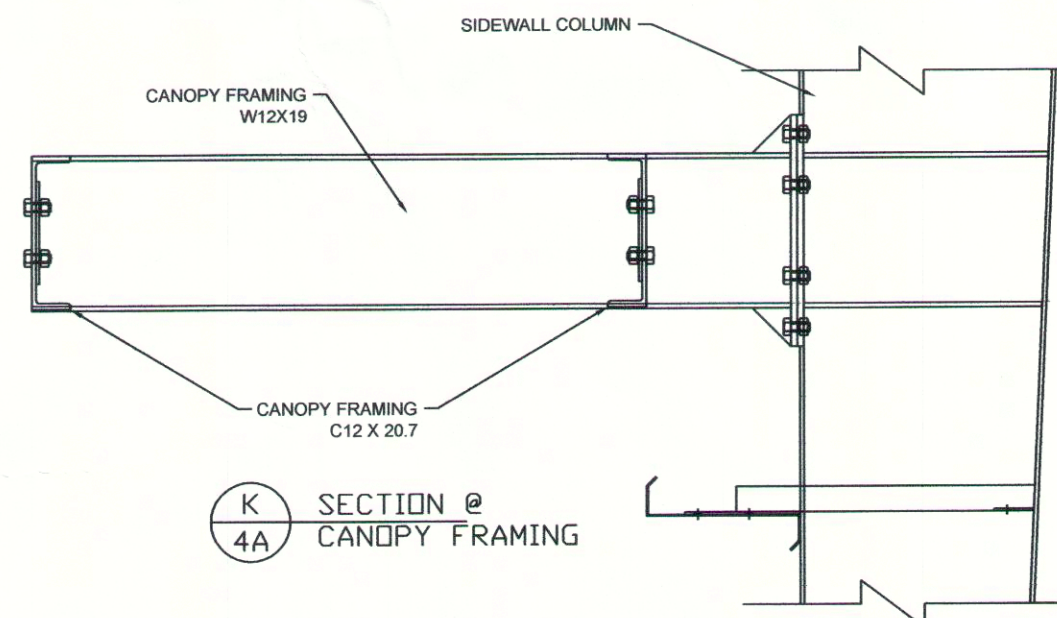
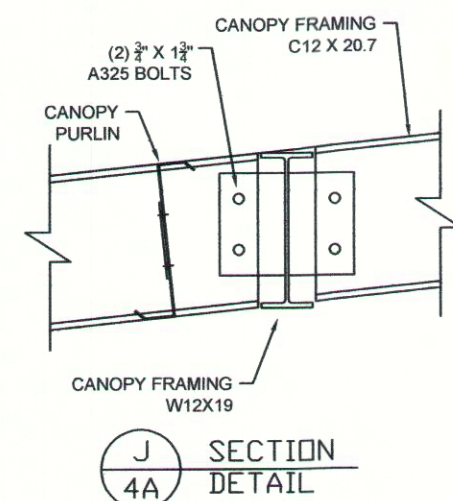
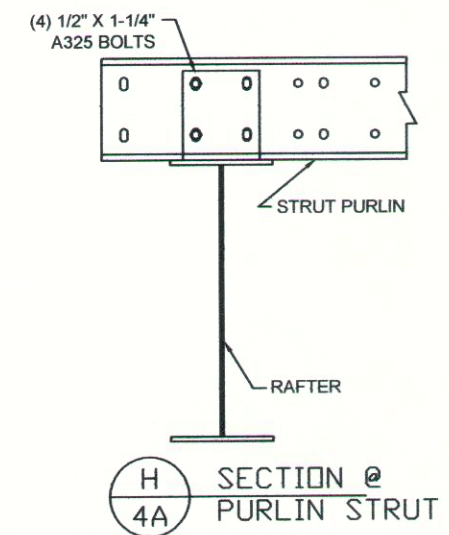
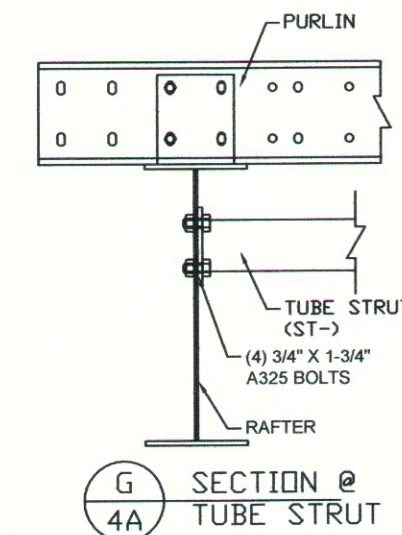


CABLE SIZE (NOMINAL)	EYEBOLT SIZE	GRIP COLOR	GRIP LENGTH
1/4"	5/8"	YELLOW	19-1/2"
5/16"	5/8"	BLACK	21"
3/8"	5/8"	ORANGE	26"
1/2"	7/8"	BLUE	34"



NOTES:  
1. SCREW THROUGH ANGLE INTO PURLIN  
2. SEE LAYOUT FOR ROWS PER BAY  
3. SPACE EVENLY ACROSS BAYS



ERECTION REQUIRES MINOR ADJUSTMENTS

ESSEX STRUCTURAL STEEL CO., INC.  
CORTLAND, NEW YORK 13045

REVISIONS	PROJECT:	CANAL LANDING 100 WEST COMMERCIAL STREET PORTLAND, MAINE 04101		SHEET: 4A
	CONTRACTOR:	IRISHSPAN INDUSTRIES		
	PROJECT NO.:	S-1468		
	TITLE:	ROOF FRAMING DETAILS		
	DRAWN BY:	JCK	DATE: 7/1/14	SCALE: D.N.S.