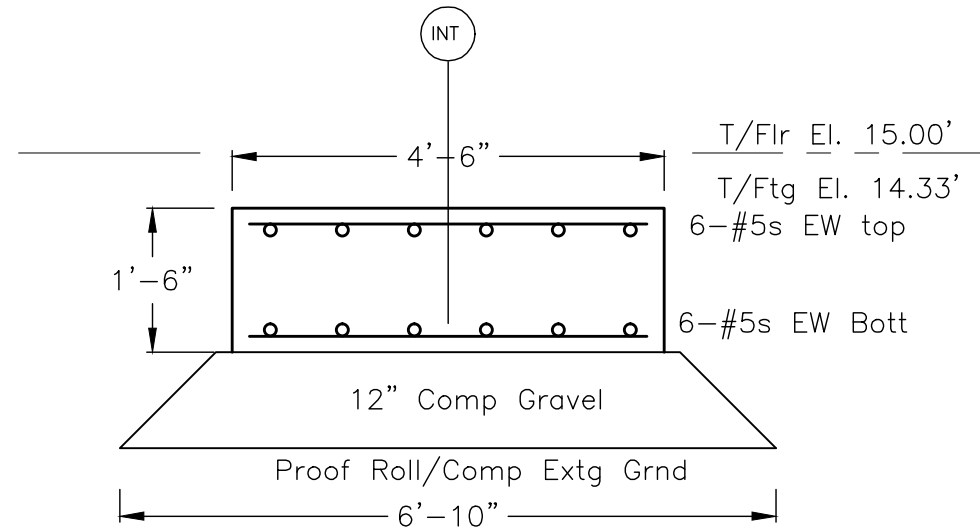


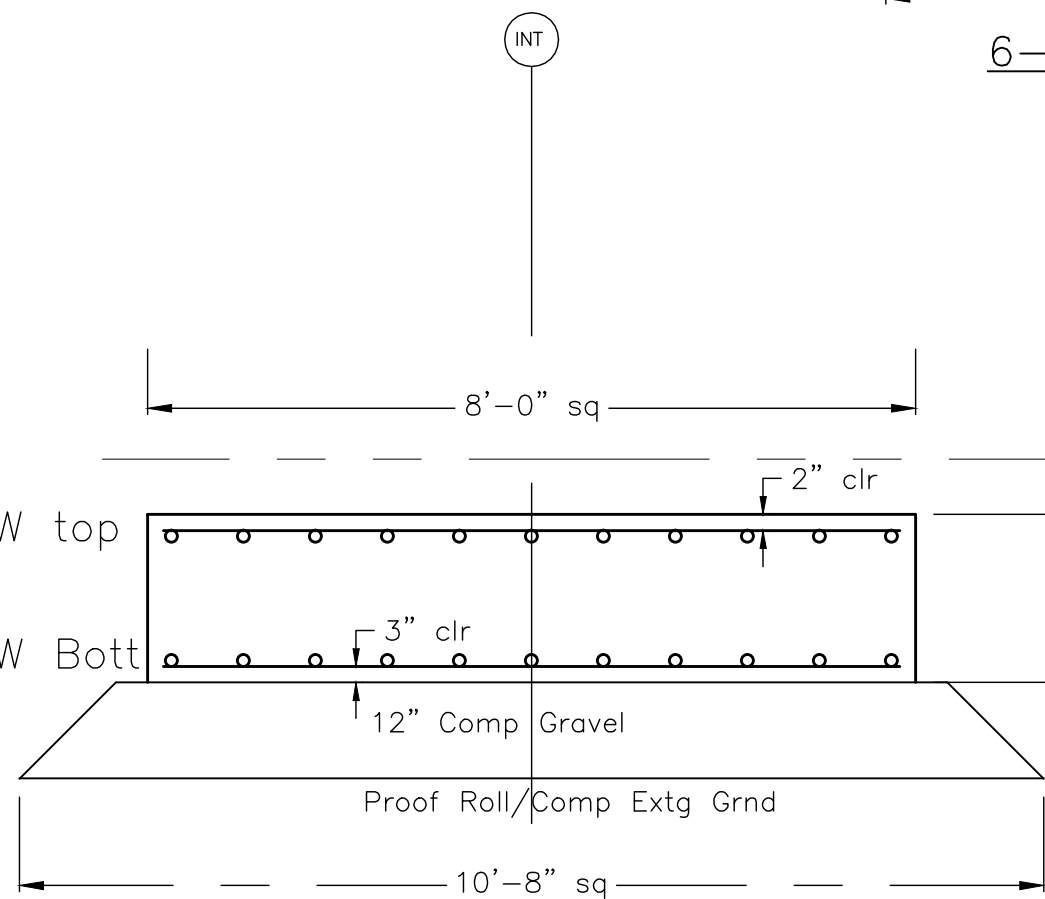
PROJECT: NEW YARD  
 SUBJECT: OPERATIONS BUILDING  
 ITEM: Interior Column Footings

**GAGNON ENGINEERING INC.**  
 Structural Consultants

DATE: 07/11/14  
 BY: RG  
 SHEET: 6 OF 9  
 PROJECT NO. 402

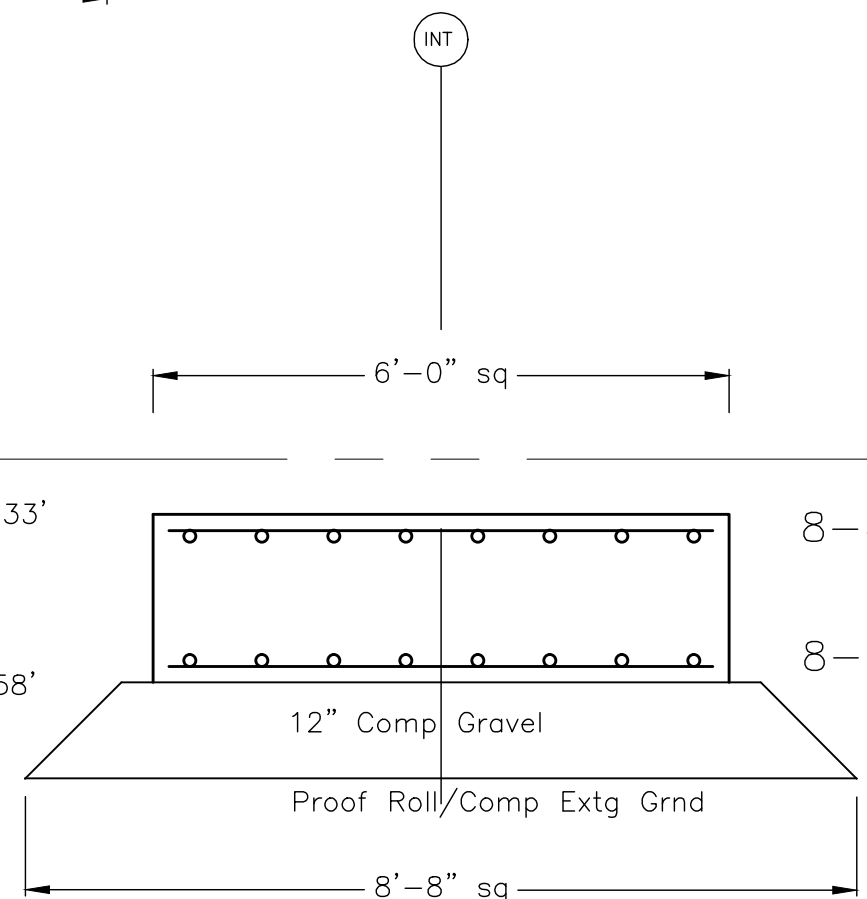


6-B, 7-L Footings  
 (typ UNO)  
 Scale:  $\frac{1}{2}'' = 1'-0''$



C-line & E-line Interior Footings  
 (typ UNO)  
 Scale:  $\frac{1}{2}'' = 1'-0''$

NOTE: Cols 1-C & 1-I B/Ftg  
 El. 8.58', w/o Comp. Gravel Gravel



B.4-line L-line, 6-line Interior Footings  
 (typ UNO)

