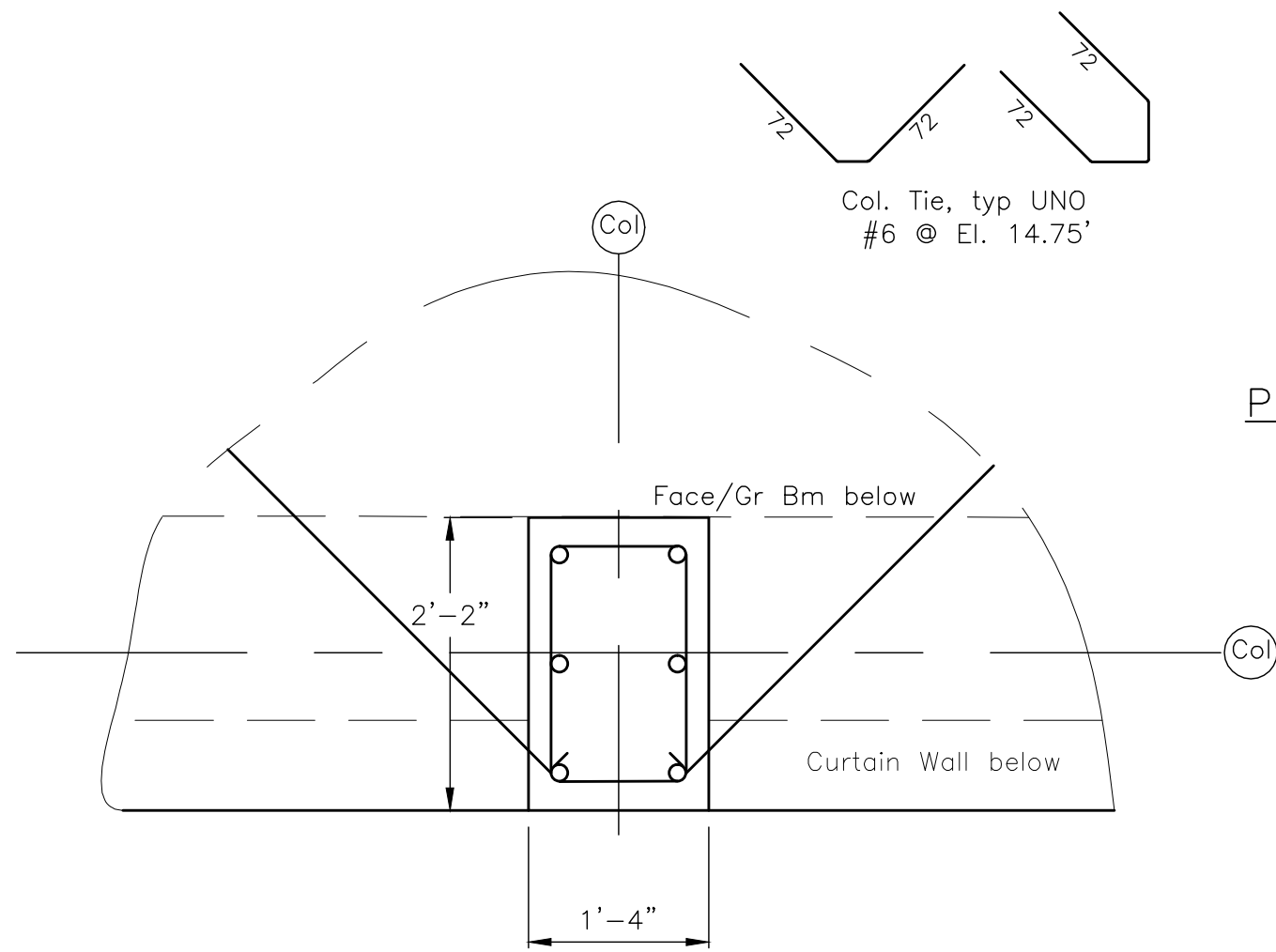


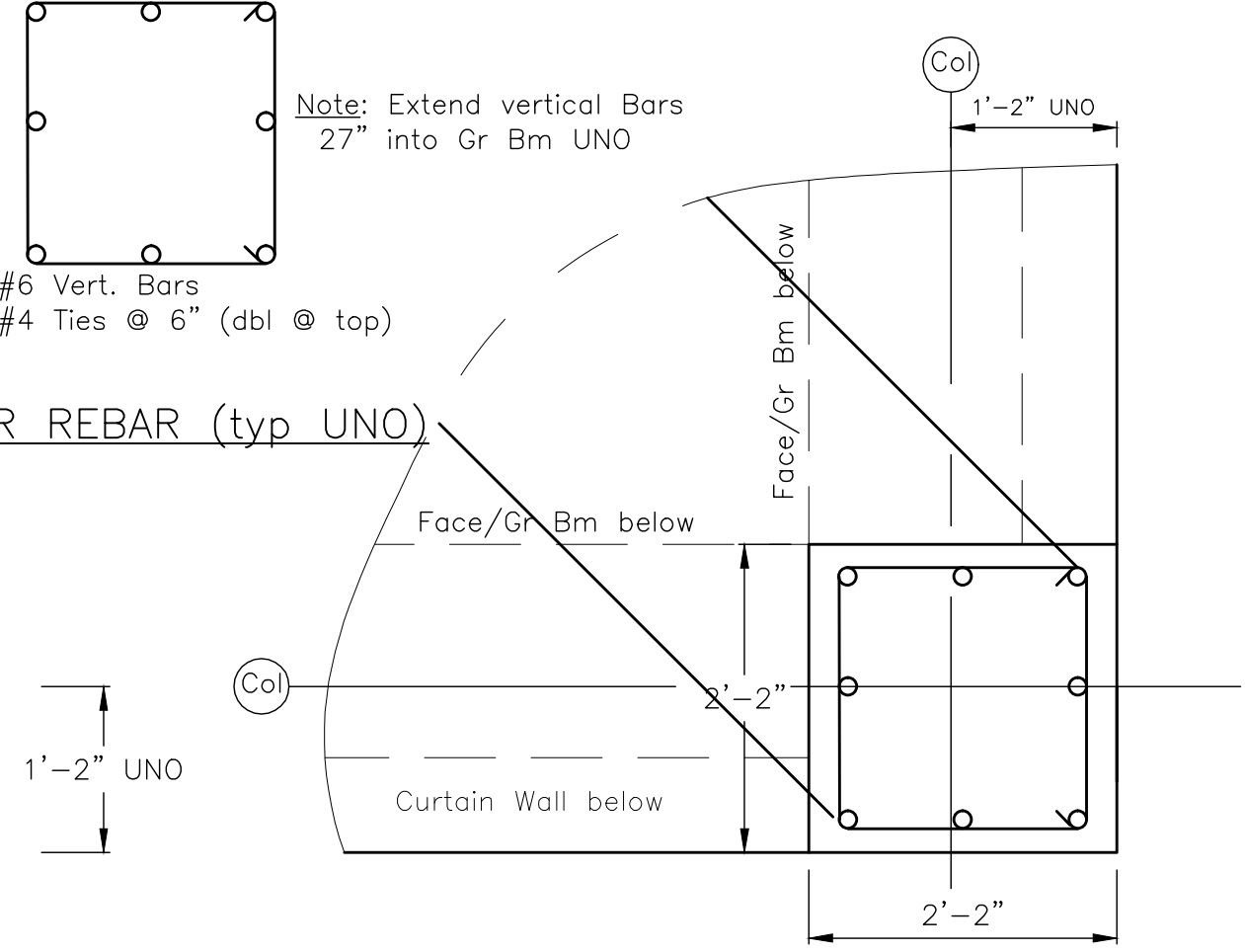
PROJECT: NEW YARD  
 SUBJECT: OPERATIONS BUILDING  
 ITEM: Column Pier Details

**GAGNON ENGINEERING INC.**  
 Structural Consultants

DATE: 07/11/14  
 BY: RG  
 SHEET: 5 OF 9  
 PROJECT NO. 402



COLUMN PIER (typ UNO)  
 Scale:  $\frac{3}{4}$ " = 1'-0"



CORNER PIER (typ UNO)  
 Scale:  $\frac{3}{4}$ " = 1'-0"

