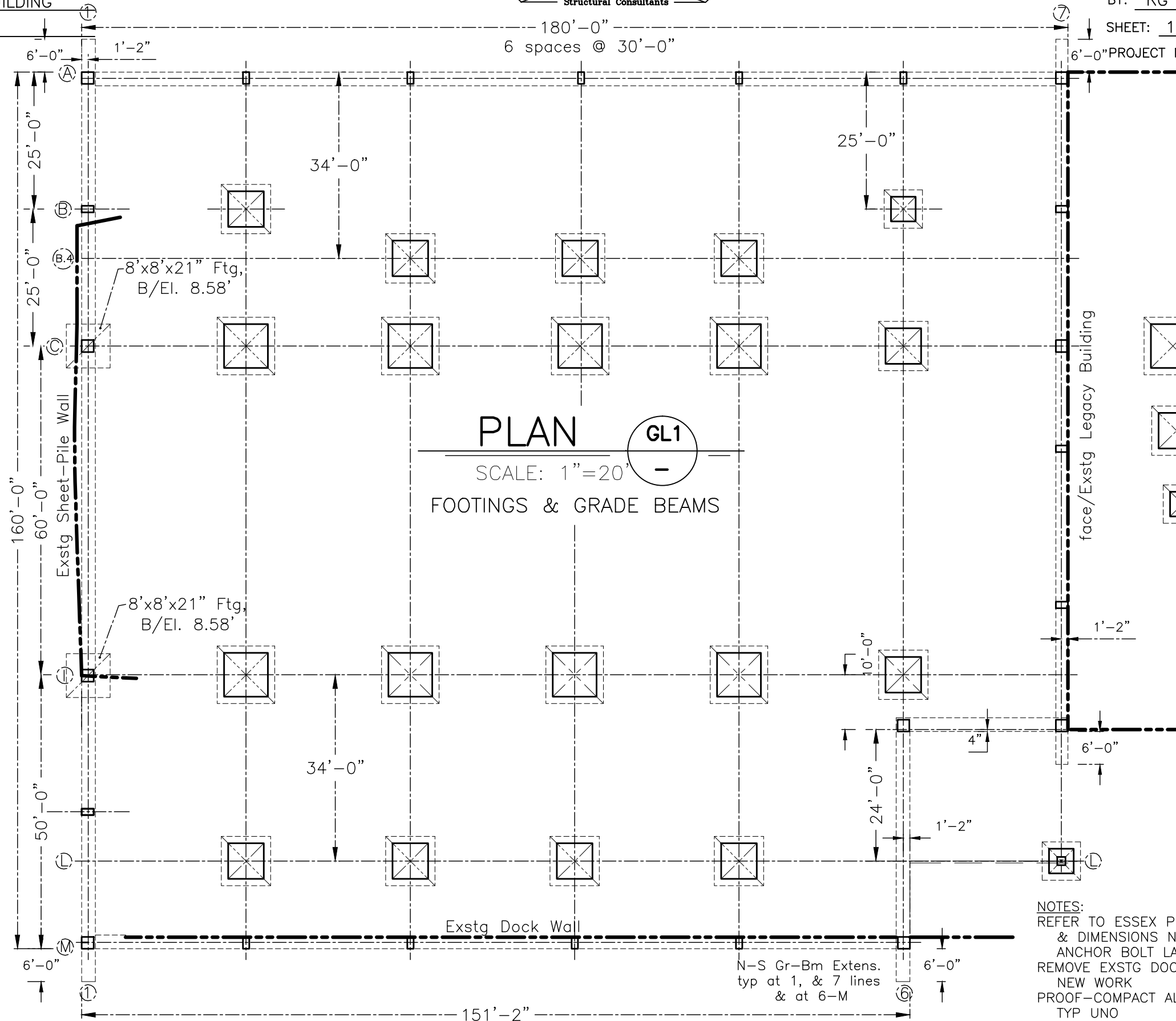
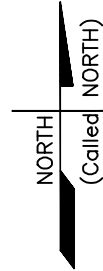


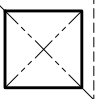


PROJECT: NEW YARD  
 SUBJECT: OPERATIONS BUILDING  
 ITEM: Layout Plan

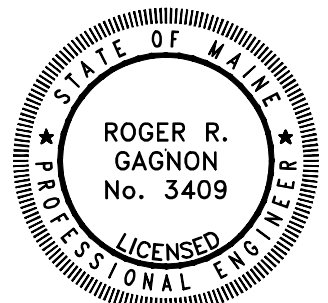
GAGNON ENGINEERING INC.  
 Structural Consultants

DATE: 07/11/14  
 BY: RG  
 SHEET: 1 OF 9  
 PROJECT NO. 402



PLAN **GL1**  
 SCALE: 1"=20'  
 FOOTINGS & GRADE BEAMS

-  = 8'x8' footing on 10.7'x10.7' prep see details
-  = 6'x6' footing on 8.7'x8.7' prep see details
-  = 4.5'x4.5' footing on 6.8'x6.8.7' prep see details



NOTES:  
 REFER TO ESSEX PLANS FOR LAYOUT & DIMENSIONS NOT SHOWN; AND FOR ANCHOR BOLT LAYOUTS  
 REMOVE EXSTG DOCK STRUCTURE IN WAY OF NEW WORK  
 PROOF-COMPACT ALL EXSTG SUBGRADES, TYP UNO  
 See Plan GL2 for Floor Slab