

1. BRACED FRAME 1 ELEVATIONS
SS/S7 SCALE: 1/4"=1'-0"

NOTE:
GUSSET PLATE SIZES SHOWN ARE PICTORIAL ONLY.
FINAL SIZE TO BE DETERMINED BY STEEL FABRICATOR
BASED ON FACTORED FORCES INDICATED.

2. BRACED FRAME 2 ELEVATION
SS/S7 SCALE: 1/4"=1'-0"

NOTE:
GUSSET PLATE SIZES SHOWN ARE PICTORIAL ONLY.
FINAL SIZE TO BE DETERMINED BY STEEL FABRICATOR
BASED ON FACTORED FORCES INDICATED.

3. BRACED FRAME 3 ELEVATION
SS/S7 SCALE: 1/4"=1'-0"

NOTE:
GUSSET PLATE SIZES SHOWN ARE PICTORIAL ONLY.
FINAL SIZE TO BE DETERMINED BY STEEL FABRICATOR
BASED ON FACTORED FORCES INDICATED.

4. BRACED FRAME 4 ELEVATION
SS/S7 SCALE: 1/4"=1'-0"

NOTE:
1. COORDINATE WITH ARCHITECTURAL PLANS FOR ENCASEMENT OF W16x88 STEEL BEAM.
2. GUSSET PLATE SIZES SHOWN ARE PICTORIAL ONLY.
FINAL SIZE TO BE DETERMINED BY STEEL FABRICATOR
BASED ON FACTORED FORCES INDICATED.

5. BRACED FRAME 5 ELEVATION
SS/S7 SCALE: 1/4"=1'-0"

NOTE:
GUSSET PLATE SIZES SHOWN ARE PICTORIAL ONLY.
FINAL SIZE TO BE DETERMINED BY STEEL FABRICATOR
BASED ON FACTORED FORCES INDICATED.

6. BRACED FRAME 6 ELEVATION
SS/S7 SCALE: 1/4"=1'-0"

NOTE:
GUSSET PLATE SIZES SHOWN ARE PICTORIAL ONLY.
FINAL SIZE TO BE DETERMINED BY STEEL FABRICATOR
BASED ON FACTORED FORCES INDICATED.

7. BRACED FRAME 7 ELEVATION
SS/S7 SCALE: 1/4"=1'-0"

NOTE:
GUSSET PLATE SIZES SHOWN ARE PICTORIAL ONLY.
FINAL SIZE TO BE DETERMINED BY STEEL FABRICATOR
BASED ON FACTORED FORCES INDICATED.

8. BRACED FRAME 8 ELEVATION
SS/S7 SCALE: 1/4"=1'-0"

NOTE:
GUSSET PLATE SIZES SHOWN ARE PICTORIAL ONLY.
FINAL SIZE TO BE DETERMINED BY STEEL FABRICATOR
BASED ON FACTORED FORCES INDICATED.



1/4"=1'-0"

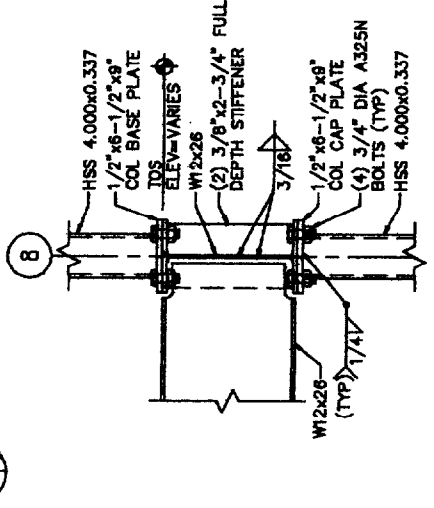
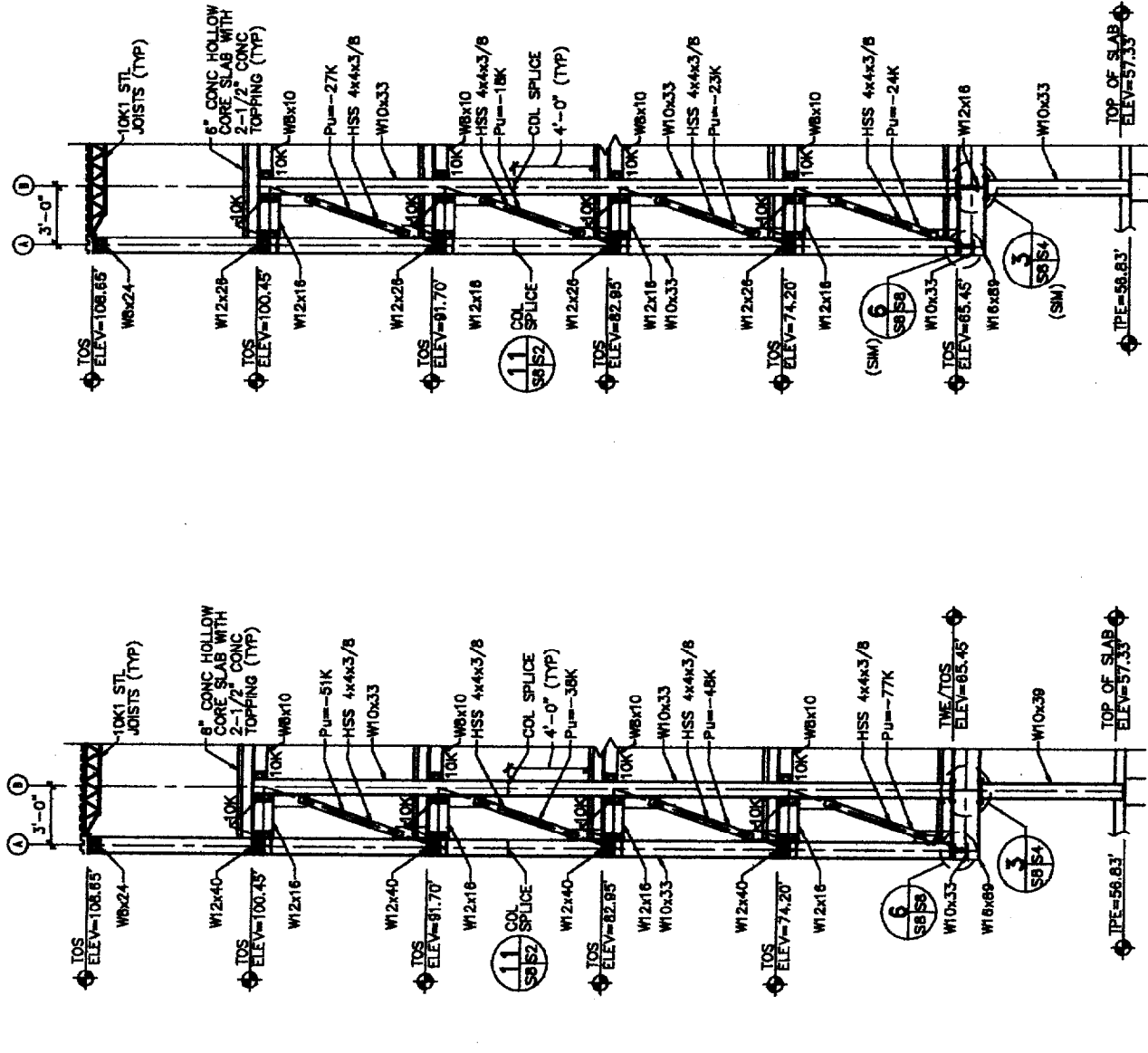
1/4"=1'-0"

1/4"=1'-0"

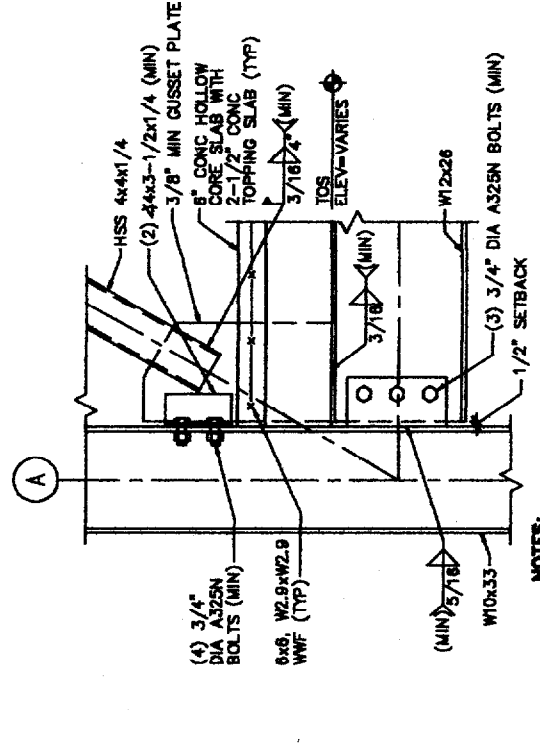
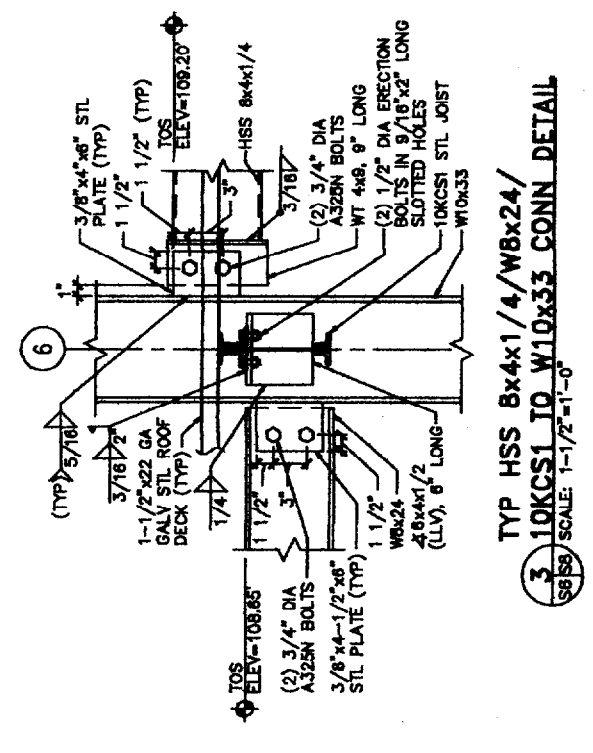
1/4"=1'-0"

1/4"=1'-0"

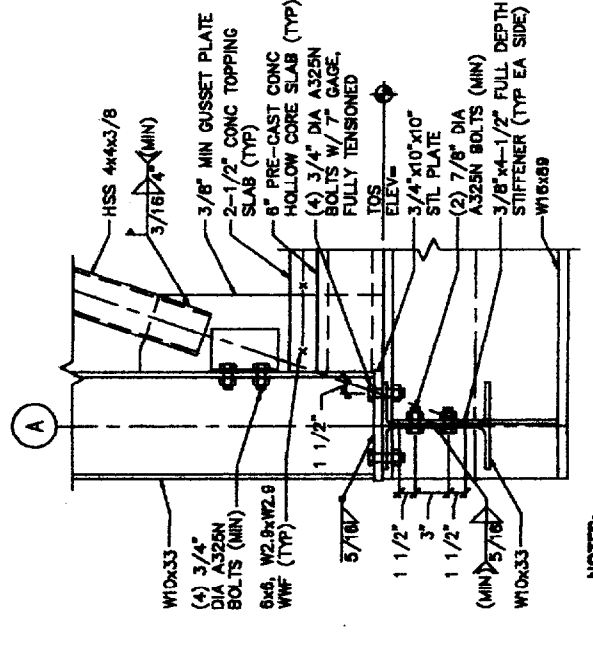
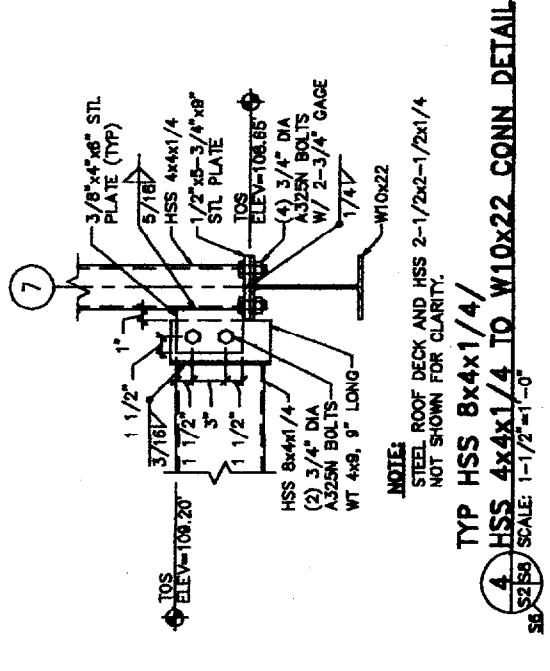
1/4"=1'-0"



7 TYP HSS 4.000x0.337 / W12x16 TO W12x26 CONN DETAIL
SCALE: 1-1/2"=1'-0"

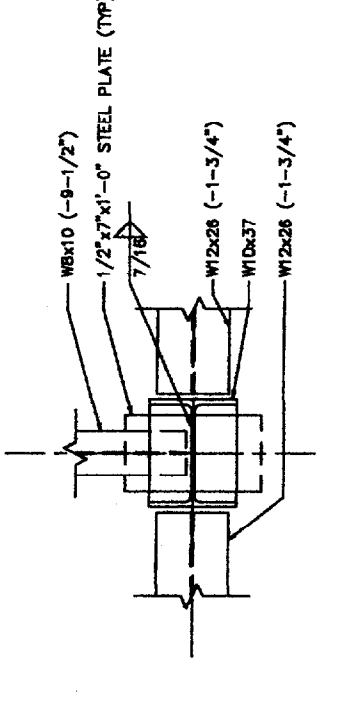


9 TYP W10x26 TO W10x26 CONN DETAIL
SCALE: 1-1/2"=1'-0"



6 TYP W10x33 COL TO W16x89 CONN DETAIL
SCALE: 1-1/2"=1'-0"

2 FRAME ELEVATION AT COLUMN LINE 2
SCALE: 1/4"=1'-0"

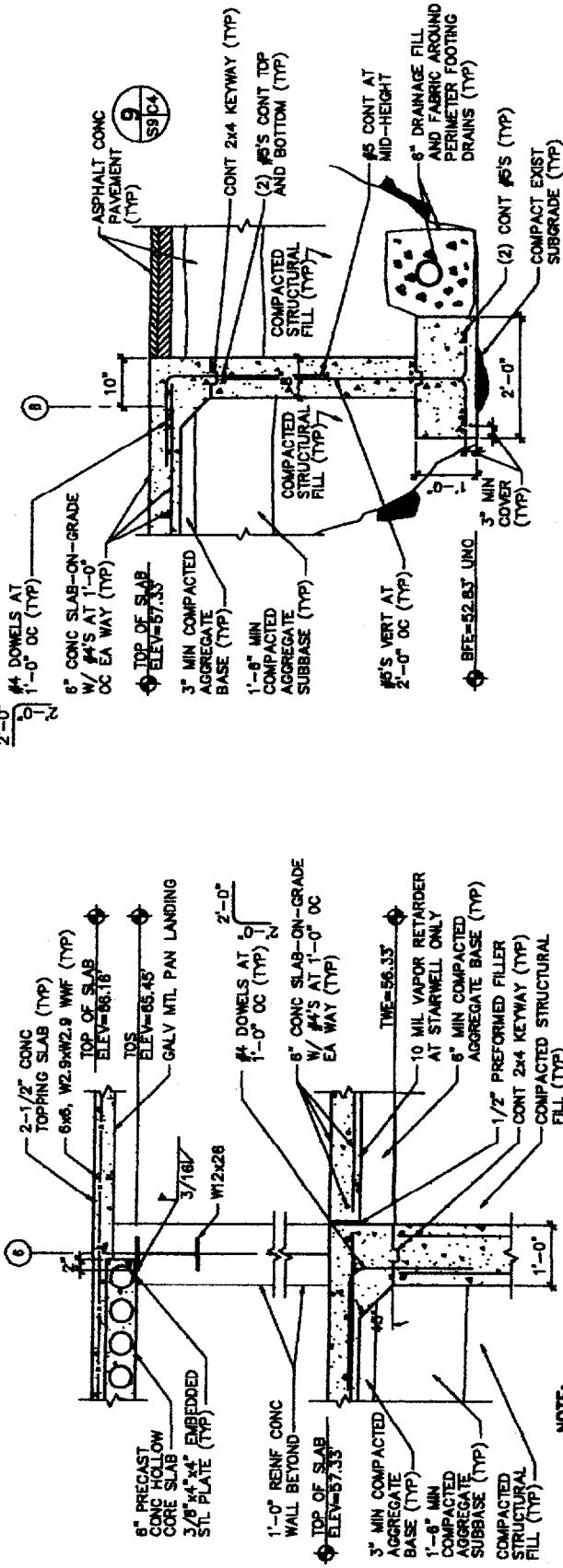


8 TYP CONC HOLLOW CORE SLAB / SLAB SUPPORT AT W10x33 COL DETAIL
SCALE: 1-1/2"=1'-0"

1 FRAME ELEVATION AT COLUMN LINE 5
SCALE: 1/4"=1'-0"

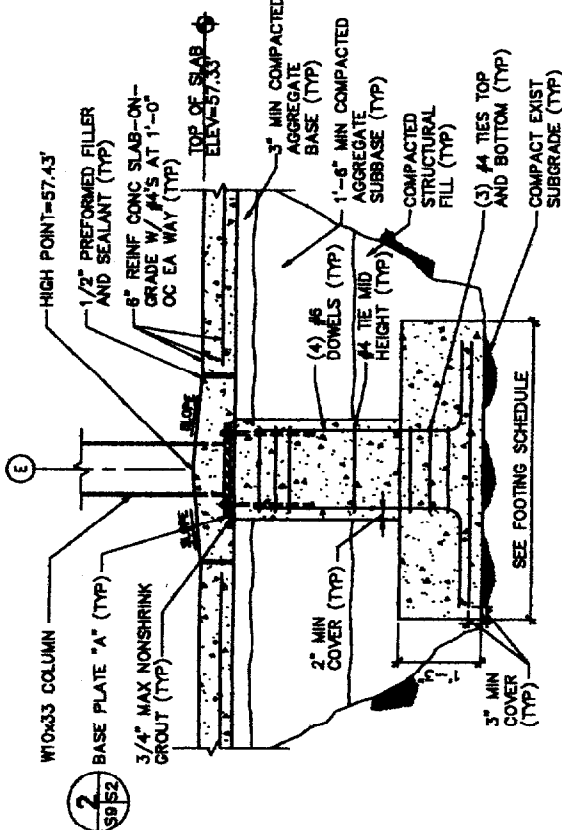
7 TYP HSS 4.000x0.337 / W12x16 TO W12x26 CONN DETAIL
SCALE: 1-1/2"=1'-0"



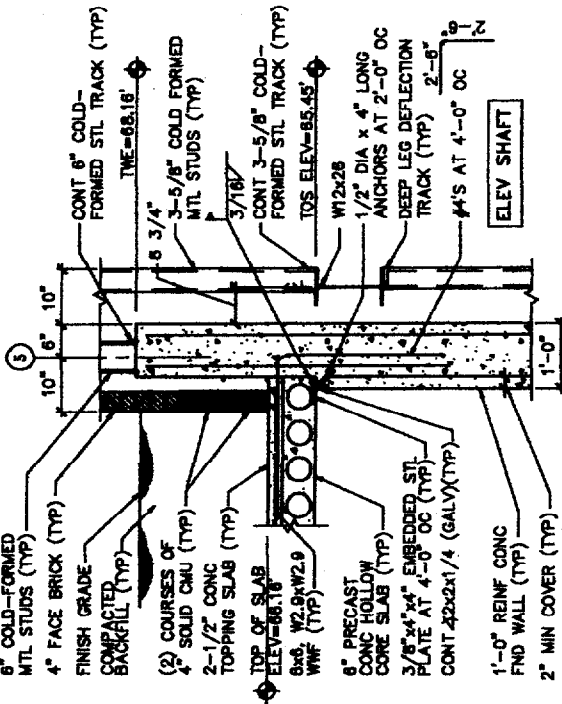


1. TYP FND WALL SECTION AT STAIRWELL DOOR
SCALE: 3/4"=1'-0"

NOTE:
RADIANT HEAT TUBING NOT SHOWN FOR CLARITY.

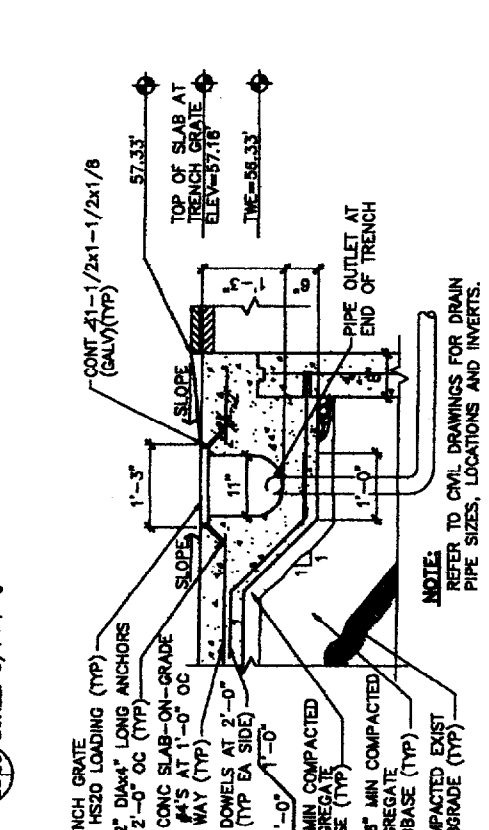


2. TYP PARKING SLAB AT DRIVEWAY DETAIL
SCALE: 3/4"=1'-0"



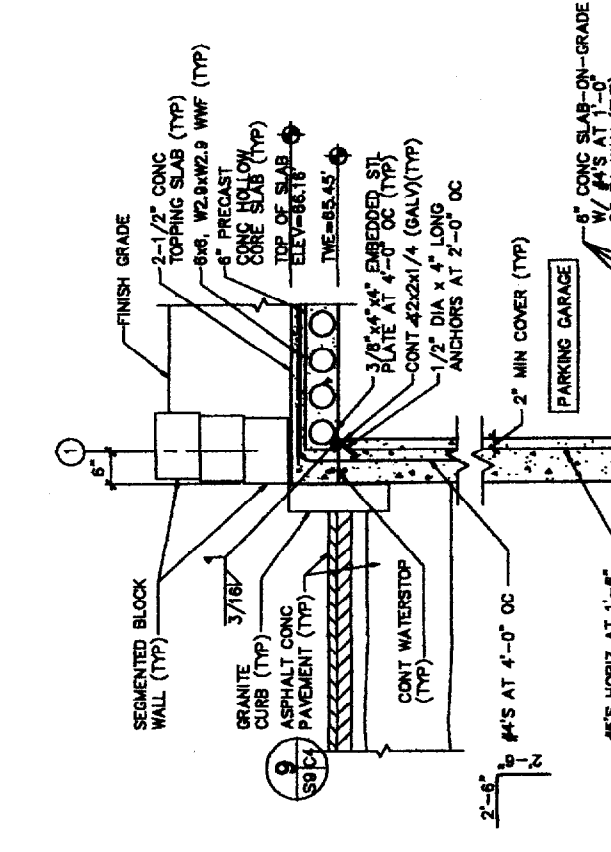
3. TYP 8" FND WALL DETAIL AT GARAGE BELOW GRADE
SCALE: 3/4"=1'-0"

4. TYP ISOLATED COLUMN FOOTING/PIER DETAIL
SCALE: 3/4"=1'-0"

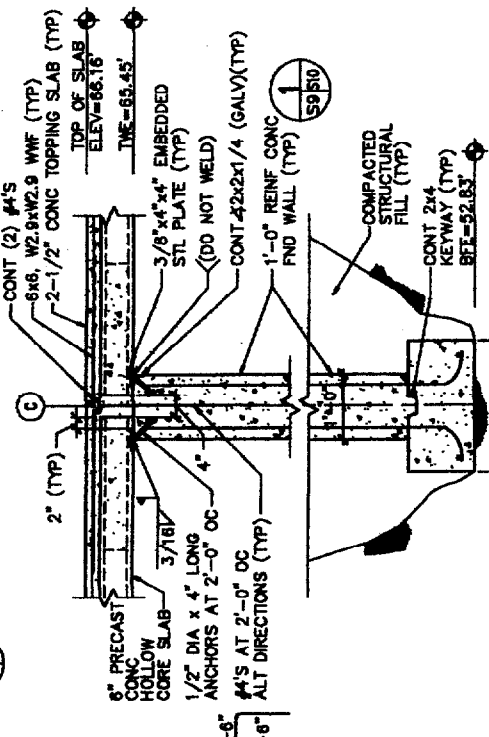


6. TYP FLOOR TRENCH DETAIL
SCALE: 3/4"=1'-0"

NOTE:
REFER TO CIVL DRAWINGS FOR DRAIN PIPE SIZES, LOCATIONS AND INVERTS.

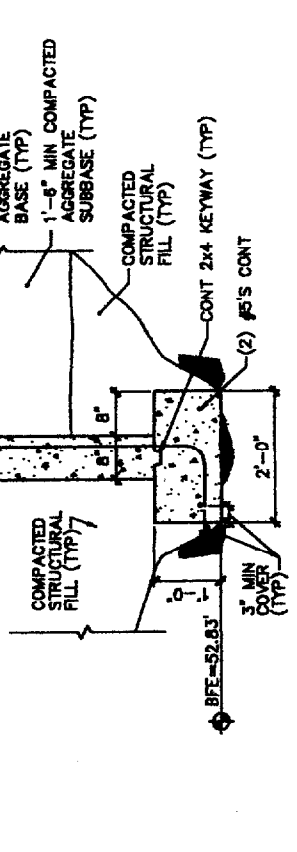


5. TYP FND WALL DETAIL AT ELEV SHAFT
SCALE: 3/4"=1'-0"



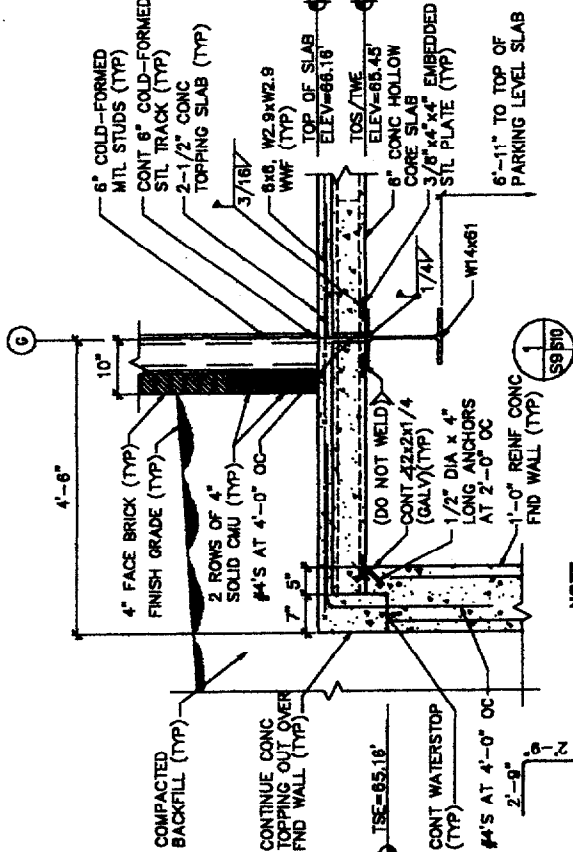
7. TYP INT CONC SHEAR WALL DETAIL
SCALE: 3/4"=1'-0"

NOTE:
RADIANT HEAT TUBING NOT SHOWN FOR CLARITY.

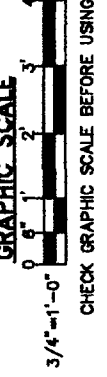


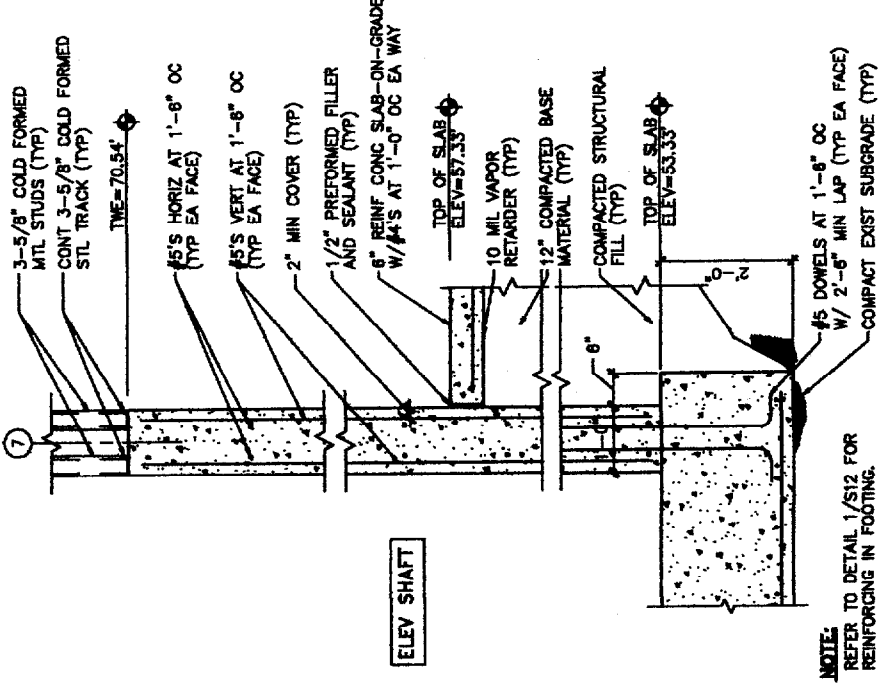
8. TYP FND WALL DETAIL BEYOND BLDG WALL
SCALE: 3/4"=1'-0"

NOTE:
RADIANT HEAT TUBING NOT SHOWN FOR CLARITY.

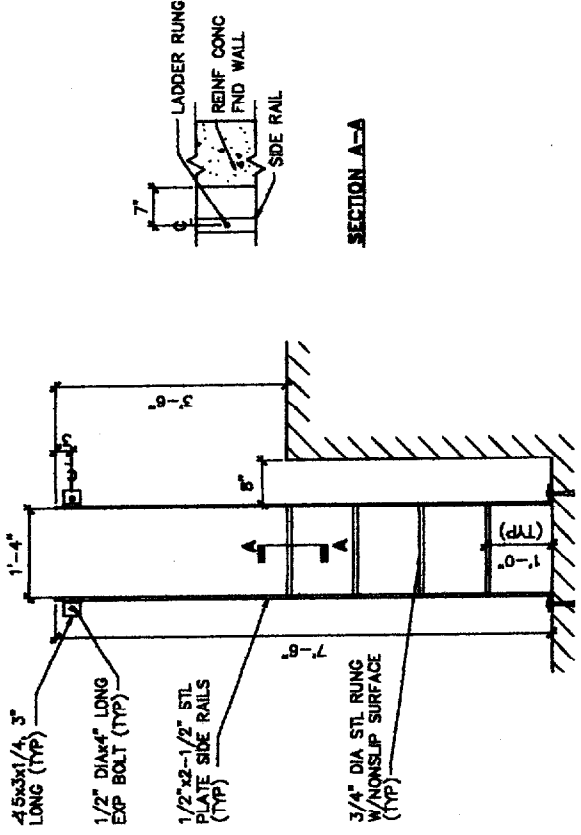


9. TYP FND WALL DETAIL AT DRIVEWAY DETAIL
SCALE: 3/4"=1'-0"

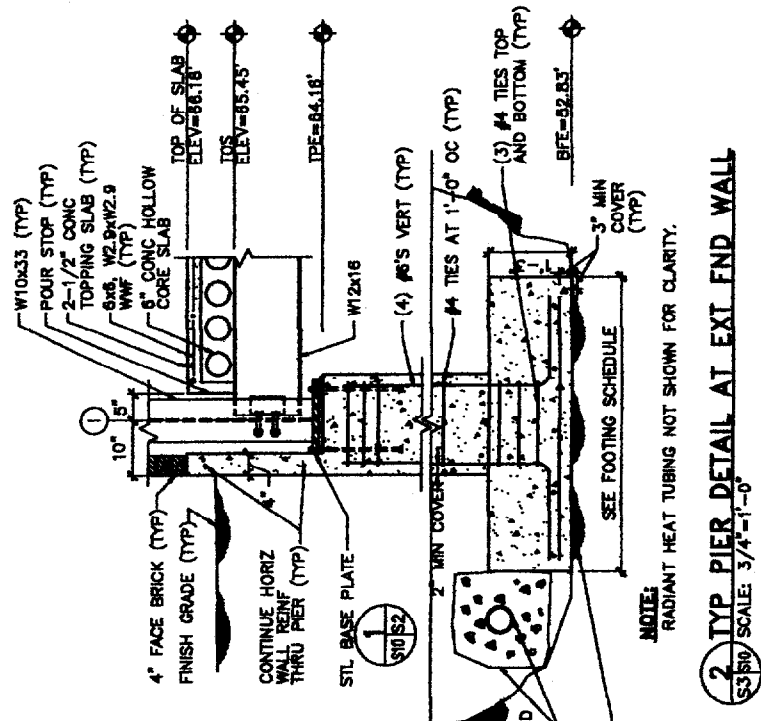
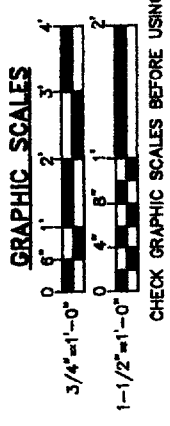




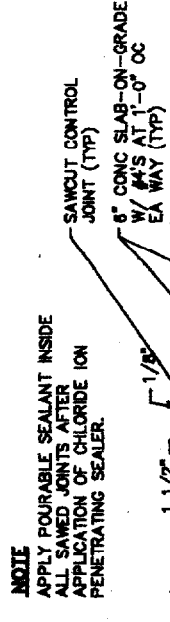
3 TYP FND WALL AT STAIR/ELEV SHAFT
SCALE: 3/4"=1'-0"



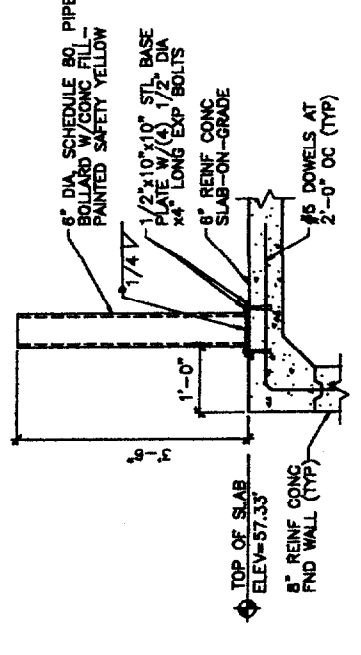
7 TYP ELEV PIT LADDER DETAIL
SCALE: 3/4"=1'-0"



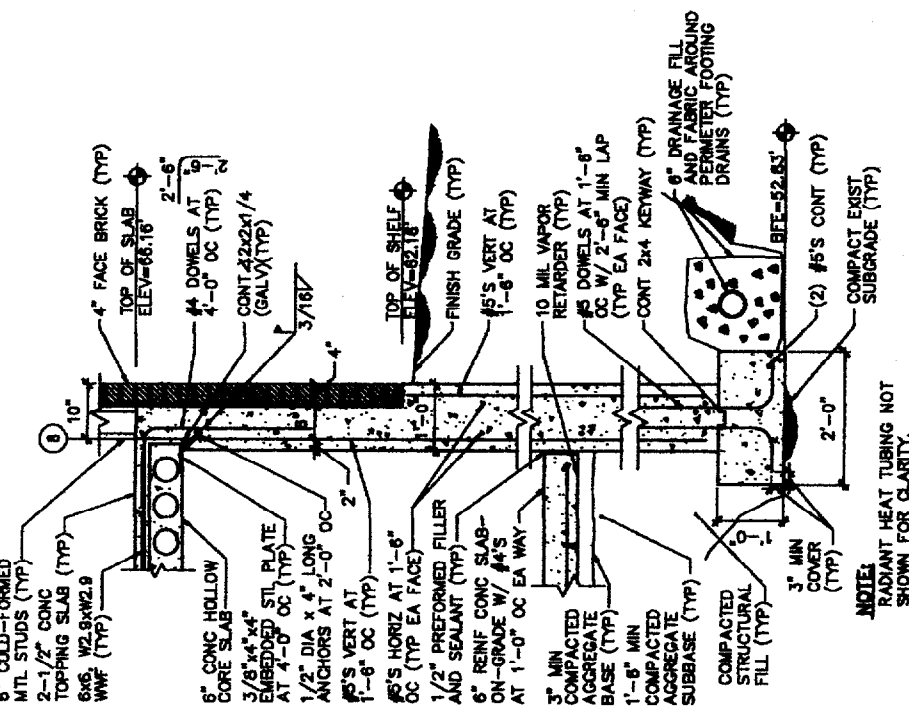
2 TYP PIER DETAIL AT EXT FND WALL
SCALE: 3/4"=1'-0"



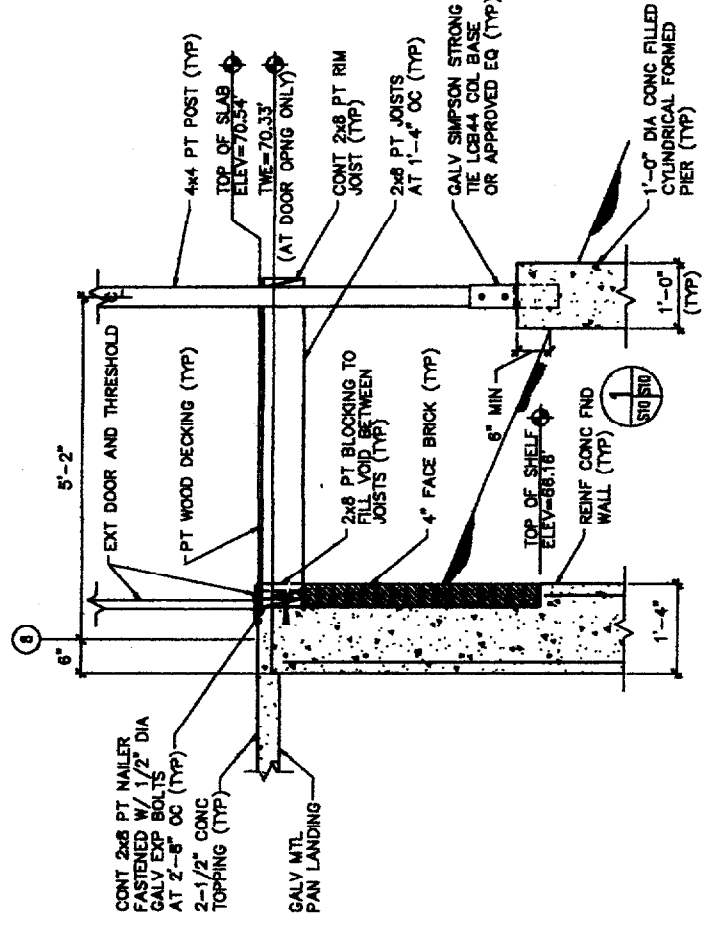
5 TYP CONTROL JOINT DETAIL
SCALE: 1-1/2"=1'-0"



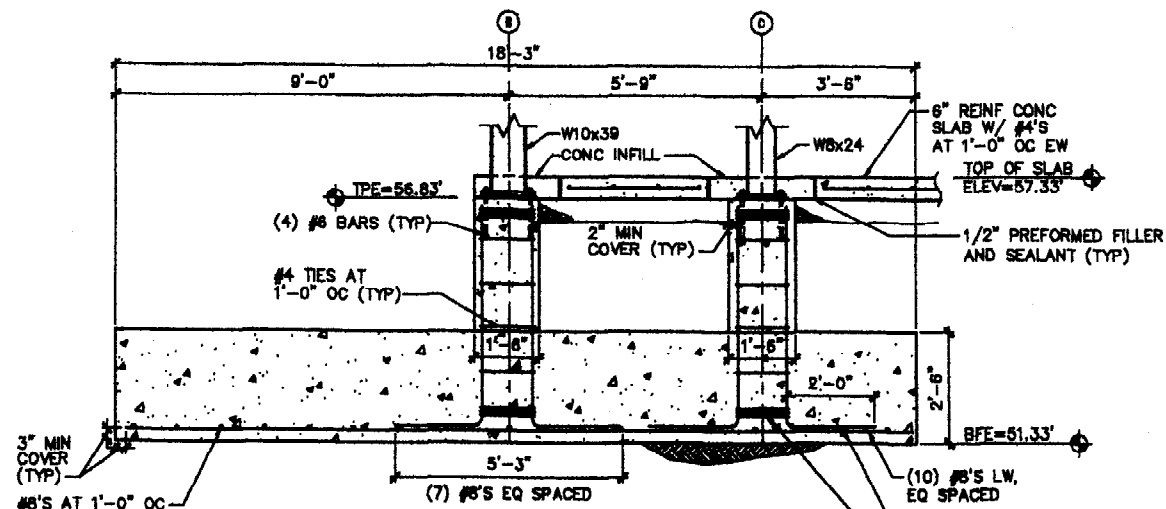
6 TYP SURFACE MOUNTED BOLLARD DETAIL
SCALE: 3/4"=1'-0"



1 TYP FND WALL DETAIL
SCALE: 3/4"=1'-0"

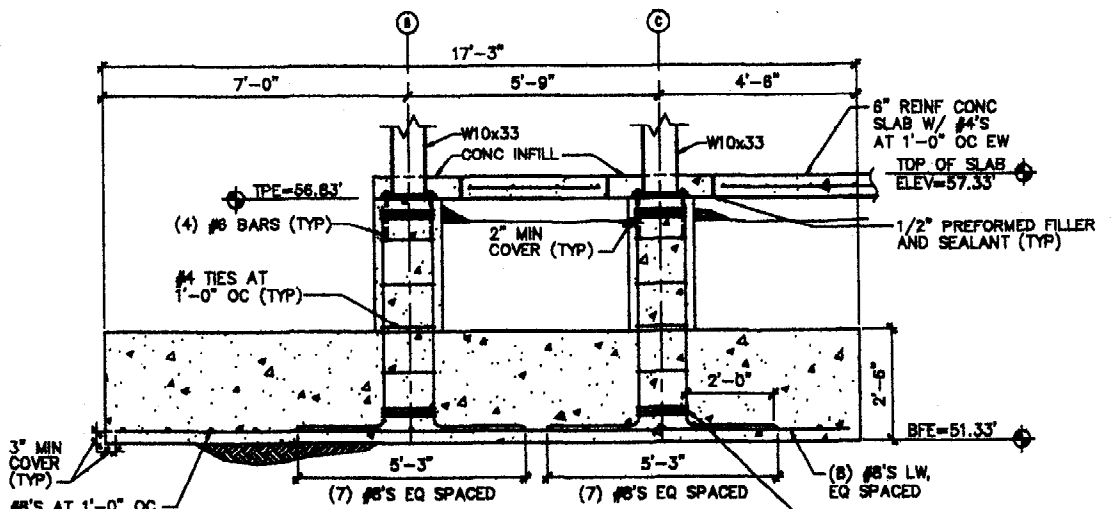


4 TYP ENTRY PORCH FND SECTION
SCALE: 3/4"=1'-0"



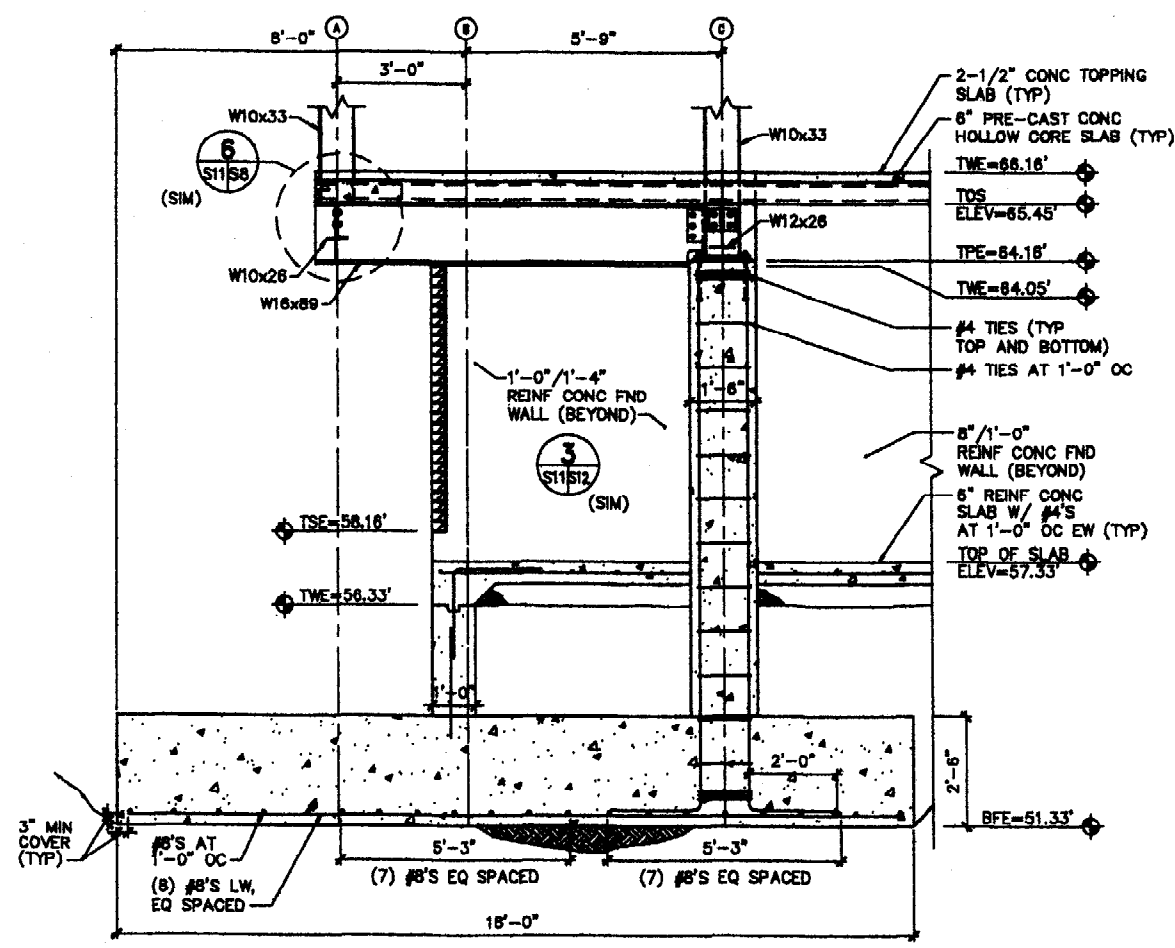
- NOTES:**
1. PROVIDE (7) #8'S IN 5'-3" BAND UNDER COLUMN B.
 2. REMAINING STEEL IN SHORT DIRECTION SHALL BE #8'S AT 1'-0" ON-CENTER.

1 FTG J DETAIL AT COLUMN LINE 5
 S3/S11 SCALE: 1/2"=1'-0"



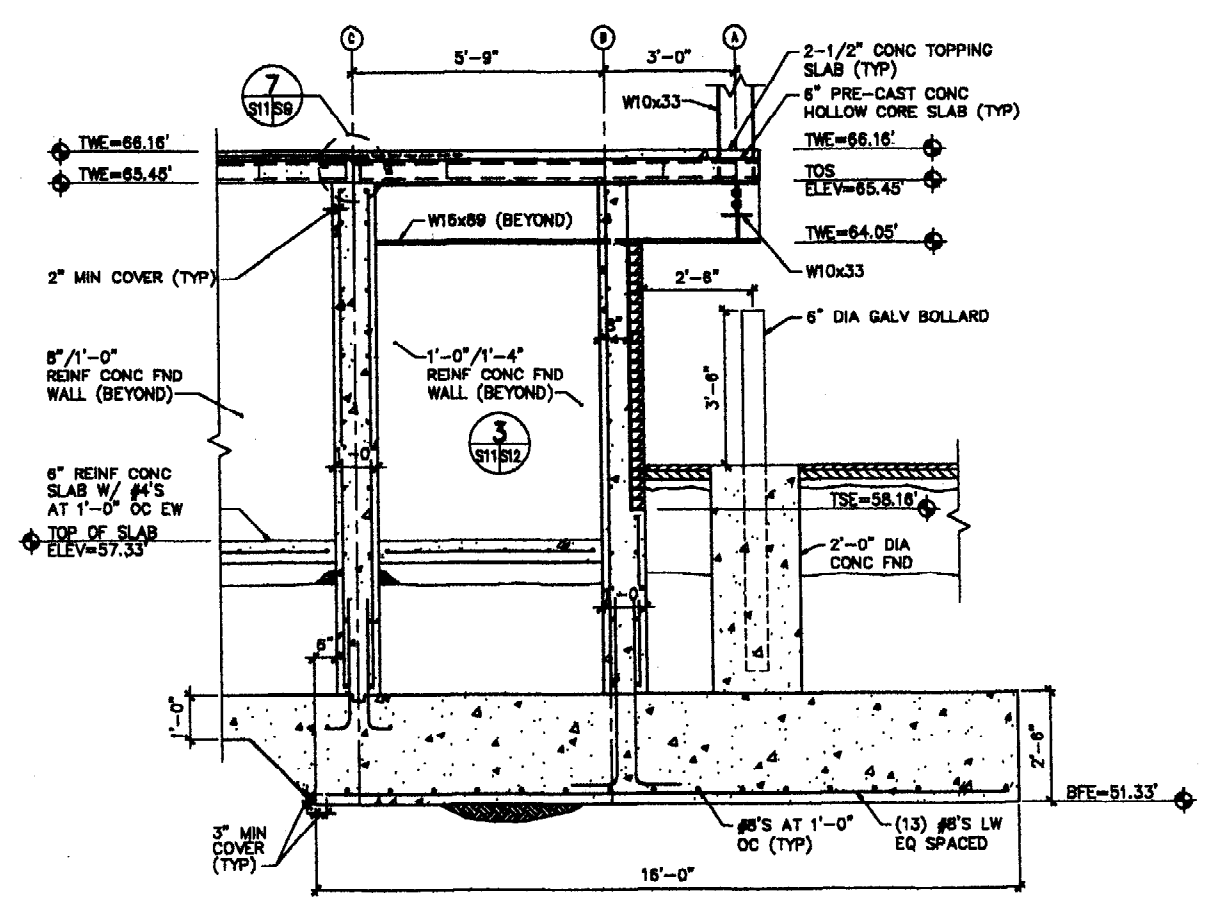
- NOTES:**
1. PROVIDE (7) #8'S IN 5'-3" BAND UNDER COLUMN B AND C.
 2. REMAINING STEEL IN SHORT DIRECTION SHALL BE #8'S AT 1'-0" ON-CENTER.

2 FTG H DETAIL AT COLUMN LINE 2
 S3/S11 SCALE: 1/2"=1'-0"



NOTE:
 COPE W16x89 AS REQUIRED.

3 FTG K DETAIL AT COLUMN LINE 1
 S3/S11 SCALE: 1/2"=1'-0"



4 FTG L DETAIL AT COLUMN LINE 8
 S3/S11 SCALE: 1/2"=1'-0"

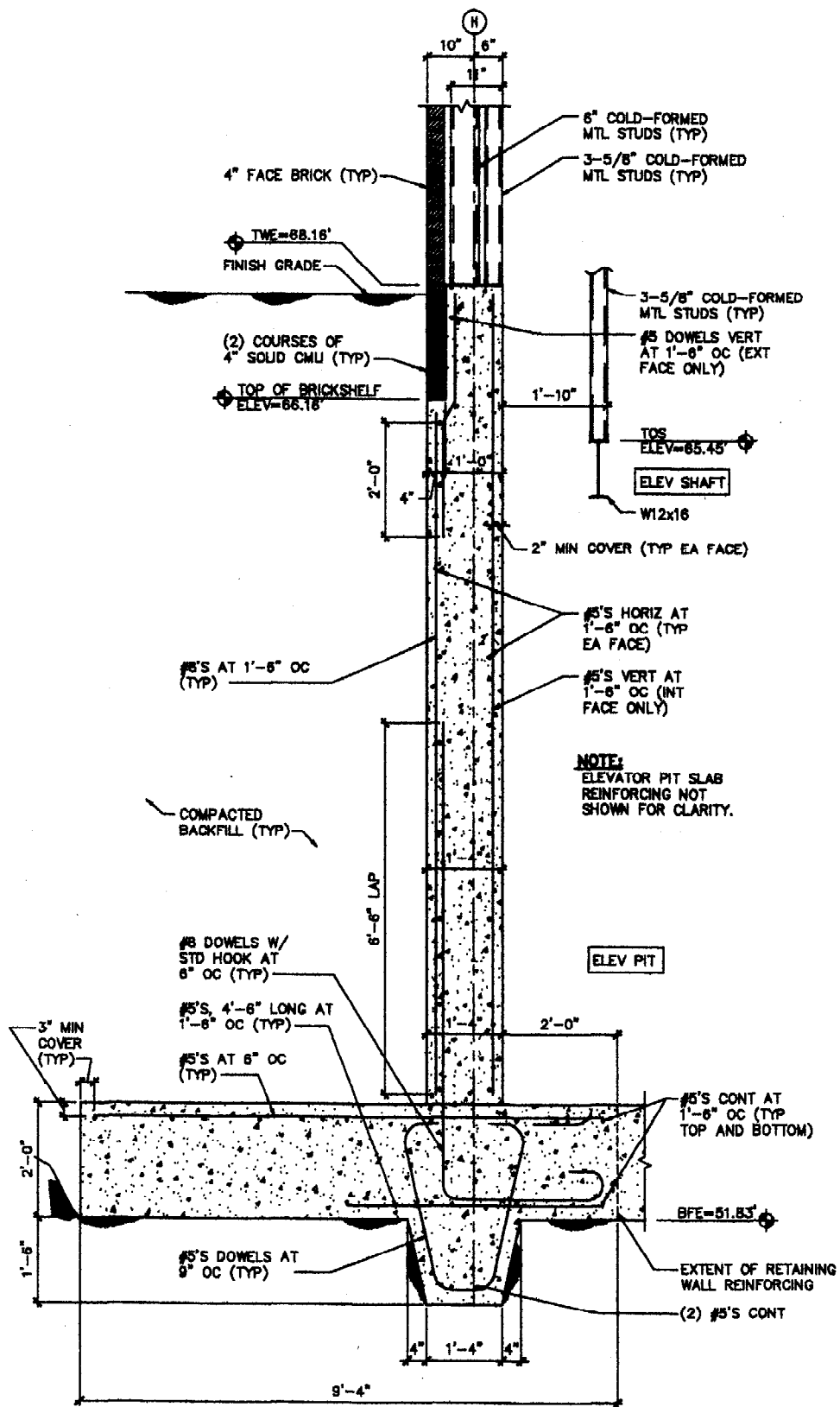


OAK POINT ASSOCIATES
 ARCHITECTS - ENGINEERS
 521 MAIN STREET BOZUFORD, MAINE 04003

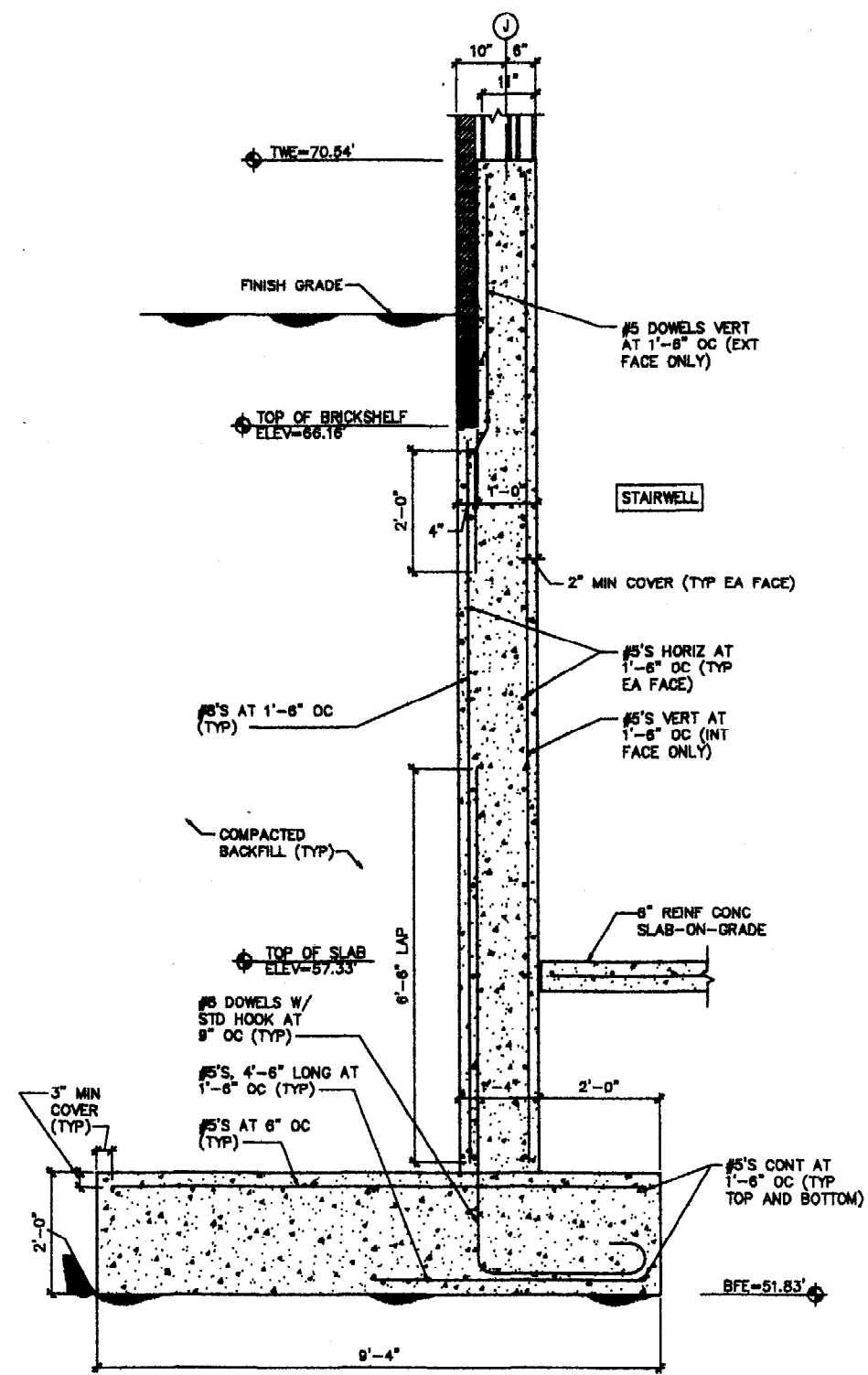
5 UNIT CONDOMINIUMS
 20-24 BRACKETT STREET
 PORTLAND, MAINE
 RECORD OWNER
 WESTEN, LLC
 28 CHESTNUT STREET, OLD ORCHARD BEACH, MAINE 04064

DATE:	07/25/03
DESIGN:	DJM
DRAWN:	JEB
CHECKED:	DJM
SCALE:	AS NOTED
JOB:	20204.33

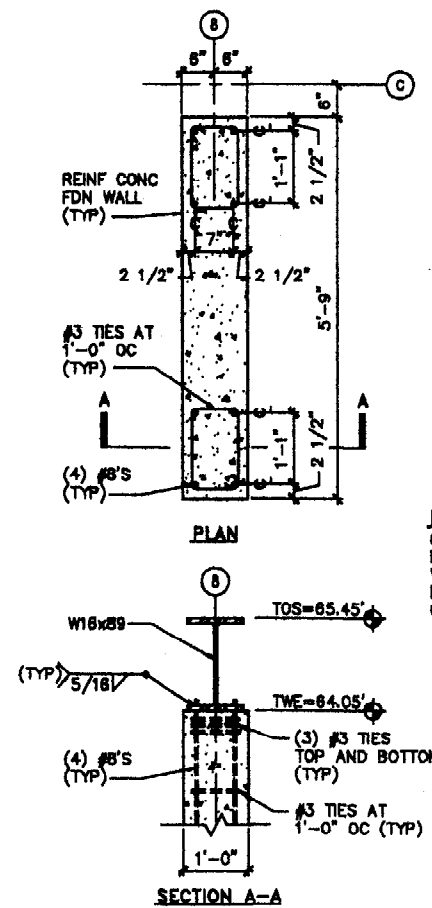
STRUCTURAL DETAILS



1 TYP RETAINING WALL DETAIL AT ELEV SHAFT
 S11.S3/S7/S12 SCALE: 3/4"=1'-0"



2 TYP RETAINING WALL DETAIL AT STAIRWELL
 S3/S12 SCALE: 3/4"=1'-0"



3 CONCRETE PIER PLAN AND SECTION
 S11.S3/S7/S12 SCALE: 3/4"=1'-0"

