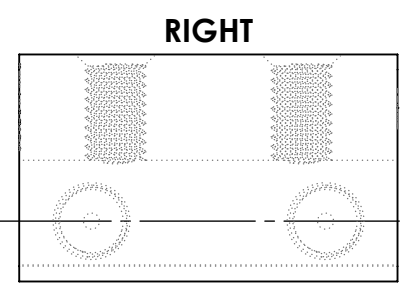
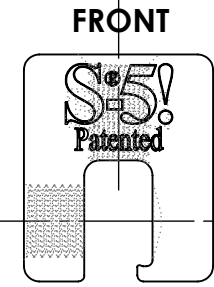
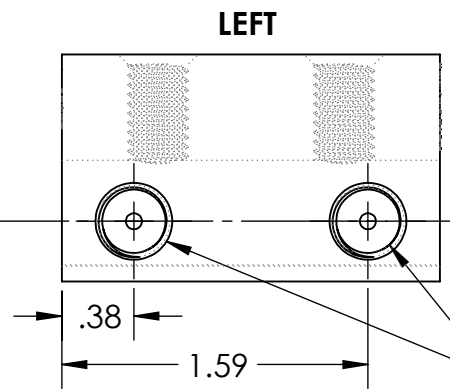
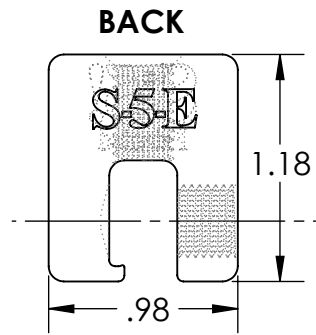
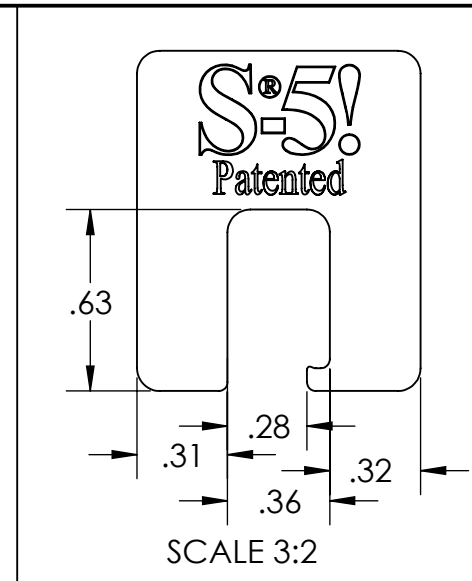
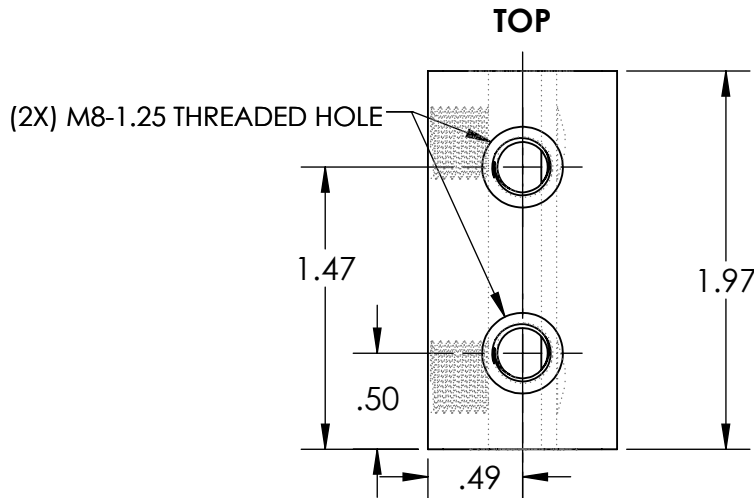


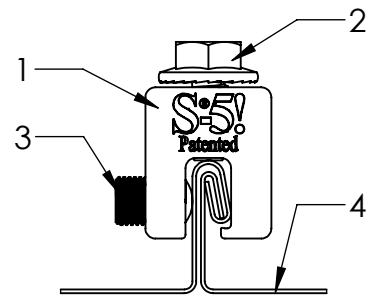
S-5-E




(2X) 3/8-24 THREADED HOLE

General Notes:

1. S-5-E Clamp
2. M8-1.25 bolt
3. 2x 3/8-2 x .500" Setscrews
4. Example roof



FOR STANDING SEAM SPECIFIC MECHANICAL LOAD TEST INFORMATION AND CLAMP INSTALLATION INFORMATION PLEASE VISIT: WWW.S-5.COM

MATERIAL: 6061 T6			METAL ROOF INNOVATIONS, LTD. 8655 TABLE BUTTE RD COLORADO SPRINGS, CO 80908 719-495-0518 719-495-0045(FAX)	
EST ASSEMBLY WEIGHT 0.23 lbs			TITLE S-5-E Clamp	
SUPPLIED HARDWARE: M8-1.25 x 16 mm Bolt 3/8-24 x .500" Setscrews	DRAWING NO. E03-B-18-C	DRAWN BY Kati Kadakas	DATE 10/17/2016	
SCALE: 1:1	<small>S-5!® PRODUCTS ARE PROTECTED BY MULTIPLE U.S. PATENTS INCLUDING 5,228,248, 5,983,588 AND 6,164,033 (OTHERS ISSUED AND PENDING). EUROPEAN PATENTS ARE ALSO APPLIED FOR AND PENDING UNDER THE PATENT COOPERATION TREATY WITH DIVISIONAL FILING RIGHTS RETAINED. METAL ROOF INNOVATIONS, LTD. (LICENSOR OF S-5!® TECHNOLOGY) AGGRESSIVELY PROSECUTES PATENT INFRINGEMENT.</small>			
EST. WEIGHT: Clamp: 0.1645 lbs Setscrew: 0.0105 lbs Bolt: 0.0360 lbs				