

## TECHNICAL GUIDE

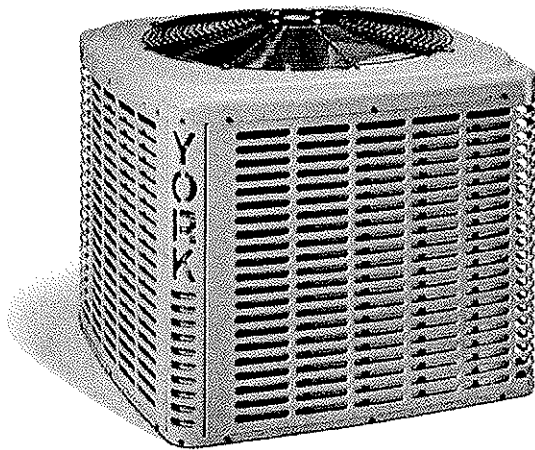
### LX SERIES

### SPLIT-SYSTEM AIR CONDITIONERS

13 SEER – R-410A – 1 PHASE

1.5 THRU 5 NOMINAL TONS

MODELS: YCJD18 THRU 60



Due to continuous product improvement, specifications are subject to change without notice.

Visit us on the web at  
[www.upgnet.com](http://www.upgnet.com) and [www.york.com](http://www.york.com)

Additional rating information can be found at:  
[www.ahridirectory.org](http://www.ahridirectory.org)

#### WARRANTY SUMMARY\*

Standard 5-Years limited parts warranty.

Standard 10-Years limited compressor warranty.

**Extended 10-Years limited parts warranty** when product is registered online within 90 days of purchase for replacement or closing for new home construction.

\*Does not apply to R-22 models, 3-Phase models, or internet sales. See Limited Warranty certificate in User's Information Manual for details.

## DESCRIPTION

The 13 SEER Series unit is the outdoor part of a versatile climate system. It is designed with a matching indoor coil component from Johnson Controls Unitary Products. Available for typical applications this climate system is supported with accessories and documents to serve specific functions.

## FEATURES

- **Small Footprint** - Extremely lightweight with a compact footprint, it is a perfect fit for any application.
- **Quality Condenser Coils** - The coil is constructed of aluminum microchannel tubing and enhanced aluminum fins for reduced size and increased efficiency.
- **Coil Protection** - Coils are protected from damage by a slotted, stamped steel coil guard and secondary polymer mesh.
- **Optional Factory E-Coat** - Available coated coil on select models.
- **Protected Compressor** - Compressors are protected internally by a high pressure relief valve and a temperature sensor, and externally by the system high pressure switch. A factory installed liquid line filter-drier further protects the compressor against moisture and debris.
- **Environmentally Friendly Refrigerant** - The next generation refrigerant R-410A delivers environmentally friendly performance with zero ozone depletion.
- **Durable Finish** - The cabinet is made of G90-equivalent galvanized steel, finished in a durable champagne colored powdercoat. The coated steel wire fan guard and pre-treated, galvanized steel chassis components resist corrosion and rust creep.
- **Lower Installed Cost** - Installation time and costs are reduced by easy power and control wiring connections. The unit is factory charged for a 15-foot lineset. The small base dimension means less space is required on the ground or roof.
- **Top Discharge** - Warm air from the top mounted fan is blown up, away from the structure and any landscaping. This allows compact location on multi-unit applications.
- **Low Operating Sound Levels** - The upward air flow carries the normal operating noise away from the living area. The rigid top panel effectively isolates any motor sound. Isolator mounted compressor and the condenser coil muffle the normal fan motor and compressor operating sounds.
- **Low Maintenance** - Long life, permanently lubricated motor-bearings need no annual servicing.
- **Easy Service Access** - Fully exposed refrigerant connections and a single panel covering the electrical controls make for easy servicing of the unit.
- **Secured Service Valves** - Secured, re-usable service valves are provided on both the liquid and vapor sweat connections for ease of evacuating and charging.
- **Agency Listed** - Safety certified by CSA to UL 1995 / CSA 22.2. Performance certified to ANSI/AHRI Standard 210/240 in accordance with the Unitary Small Equipment certification program.

**Physical and Electrical Data**

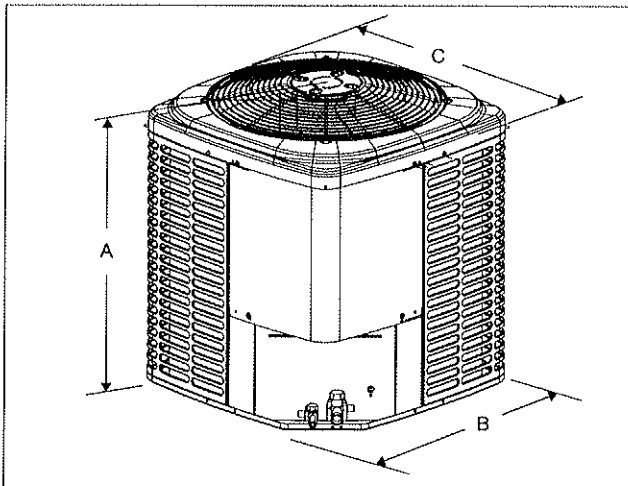


MODEL	YCJD18 S41S1(H)(E)	YCJD24 S41S1(H)(E)	YCJD30 S41S1(H)(E)	YCJD36 S41S1(H)(E)	YCJD42 S41S2(H)(E)	YCJD48 S41S1(H)(E)	YCJD60 S41S2(E)
Unit Supply Voltage	208-230V, 1 $\phi$ , 60Hz						
Normal Voltage Range <sup>1</sup>	187 to 252						
Minimum Circuit Ampacity	10.0	12.4	14.7	17.9	21.5	21.1	34.5
Max. Overcurrent Device Amps <sup>2</sup>	15	20	25	30	35	35	60
Min. Overcurrent Device Amps <sup>3</sup>	15	15	15	20	25	25	35
Compressor Type	Rotary	Recip	Recip	Recip	Recip	Recip	Scroll
Compressor Amps	Rated Load	7.6	9.3	10.6	13.1	16	26.4
	Locked Rotor	40	43	54	74	88	134
Crankcase Heater	No	No	No	No	No	No	No
Factory External Discharge Muffler	No	No	No	No	No	Yes	No
Factory External Check Valve	No	No	No	No	No	No	No
HS Kit Required with TXV <sup>4</sup>	Yes	Yes	Yes	Yes	Yes	Yes	No
Fan Motor Amps	Rated Load	0.5	0.8	1.4	1.5	1.5	1.5
Fan Diameter Inches		17.5	17.5	17.5	22.0	22.0	24.0
Fan Motor	Rated HP	1/12	1/8	1/4	1/4	1/4	1/4
	Nominal RPM	1100	1075	1100	850	850	850
	Nominal CFM	1400	1950	2050	3200	3050	3400
Coil	Face Area Sq. Ft.	9.60	9.60	9.60	13.07	14.16	18.68
	Rows Deep	1	1	1	1	1	1
	Fins / Inch	23	23	23	23	23	23
Liquid Line Set OD (Field Installed)		3/8	3/8	3/8	3/8	3/8	3/8
Vapor Line Set OD (Field Installed)		5/8*	3/4	3/4	3/4	7/8	7/8
Unit Charge (Lbs. - Oz.) <sup>5</sup>		3 - 3	3 - 13	3 - 14	4 - 9	4 - 10	5 - 8
Charge Per Foot, Oz.		0.58	0.62	0.62	0.62	0.67	0.67
Operating Weight Lbs.		97	129	131	145	164	220

Models with "H" on the end of the model number are shipped with a Hard Start Kit installed at the factory.

Models with "E" on the end of the model number have E-Coated coils.

1. Rated in accordance with AHRI Standard 110-2012, utilization range "A".
2. Dual element fuses or HACR circuit breaker. Maximum allowable overcurrent protection.
3. Dual element fuses or HACR circuit breaker. Minimum recommended overcurrent protection.
4. See Hard Start Kit Accessory Installation Manual for Hard Start Kit part number for each model.
5. The Unit Charge is correct for the outdoor unit, smallest matched indoor unit, and 15 feet of refrigerant tubing. For tubing lengths other than 15 feet, add or subtract the amount of refrigerant, using the difference in actual lineset length (not equivalent length) multiplied by the per foot value.



Unit Model	Dimensions (Inches)			Refrigerant Connection Service Valve Size	
	A	B	C	Liquid	Vapor
18	28-1/4	24	24	3/8	3/4*
24	28-1/4	24	24		3/4
30	28-1/4	24	24		
36	28-1/4	29-1/2	29-1/2		7/8
42	30-1/4	29-1/2	29-1/2		
48	30-1/4	29-1/2	29-1/2		
60	32-1/4	34	34		

\* Adapter fitting must be field installed for the required 5/8" line set.

All dimensions are in inches and are subject to change without notice.

Overall height is from bottom of basepan to top of fan guard.

Overall length and width include screw heads.