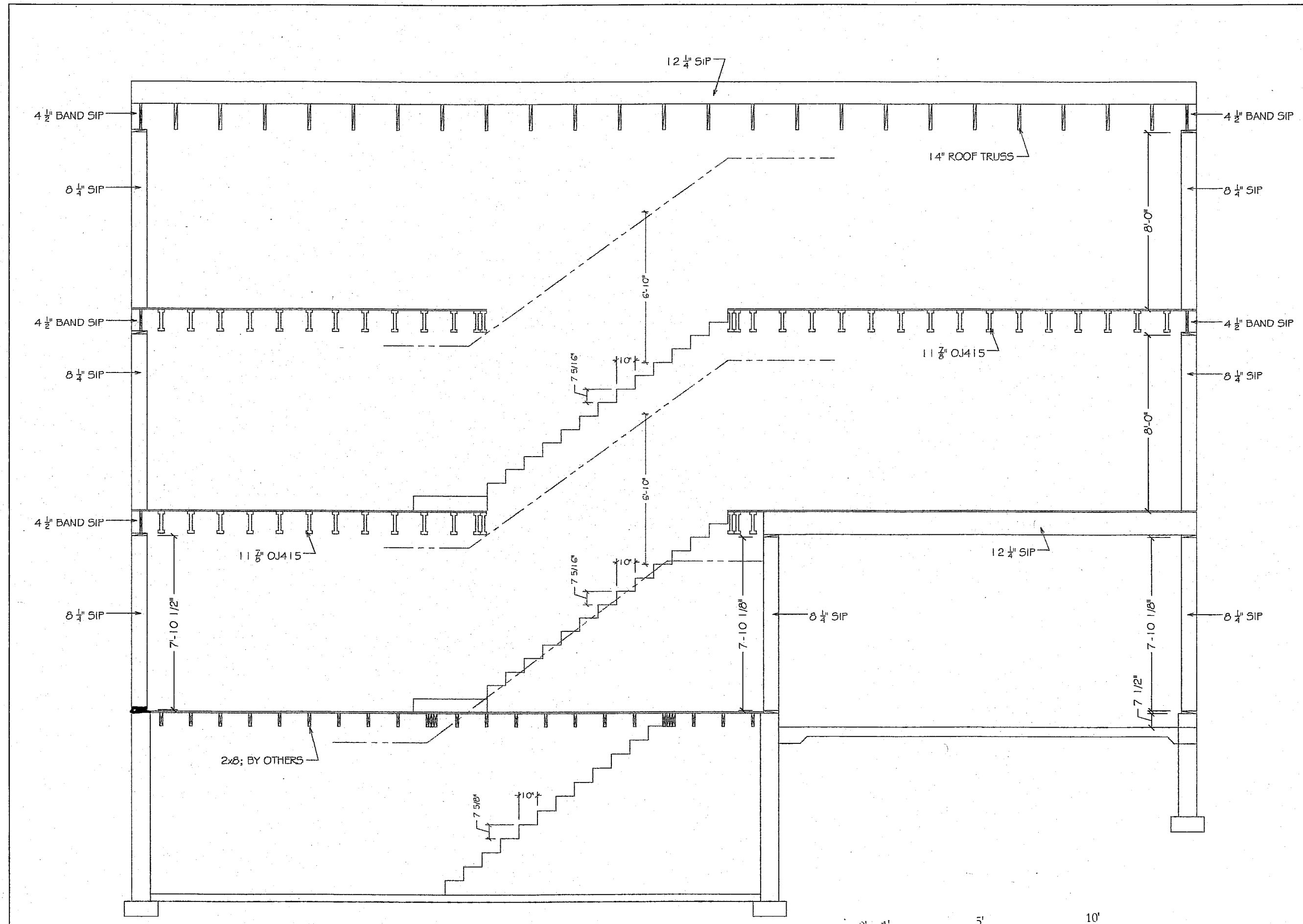
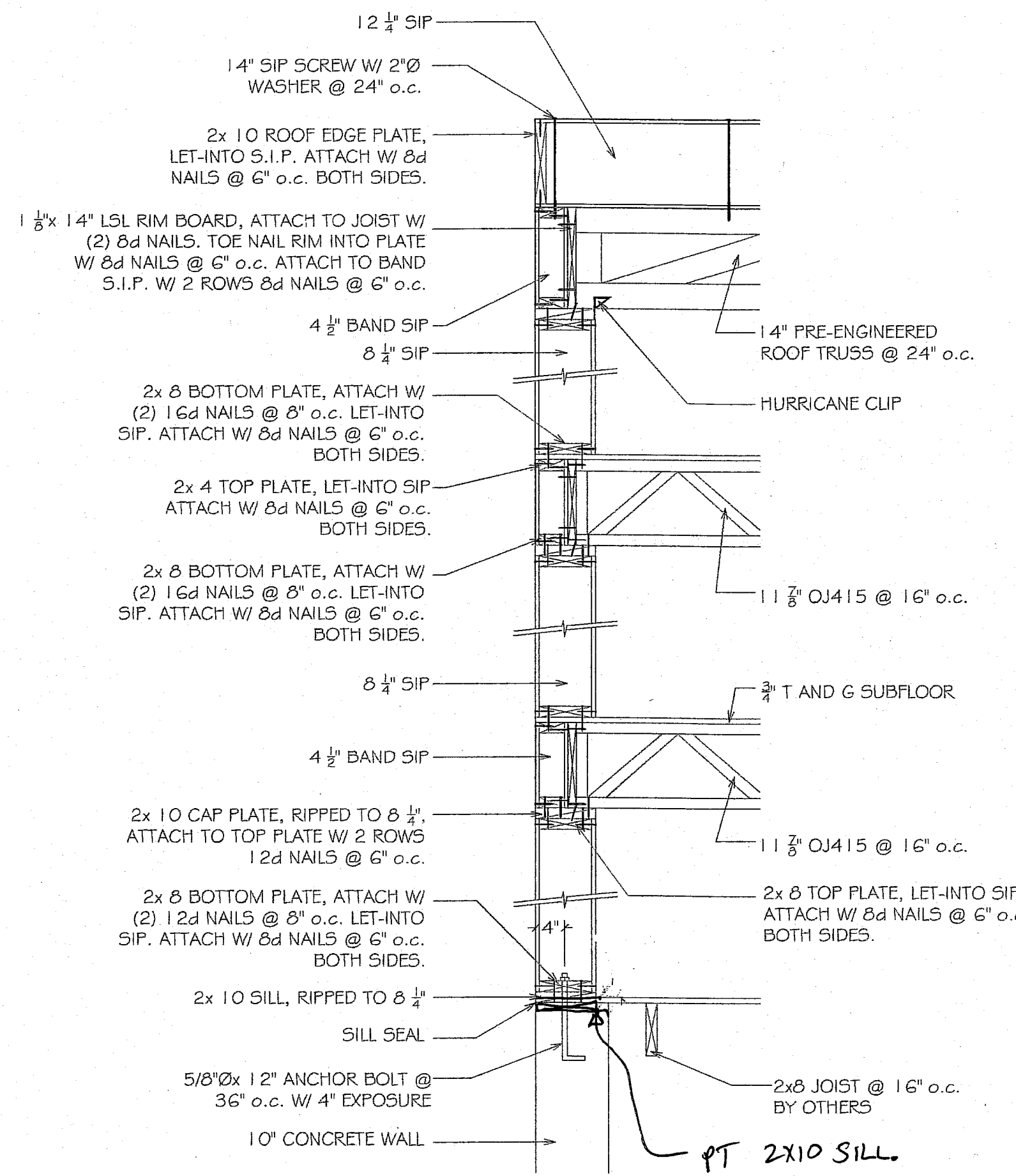




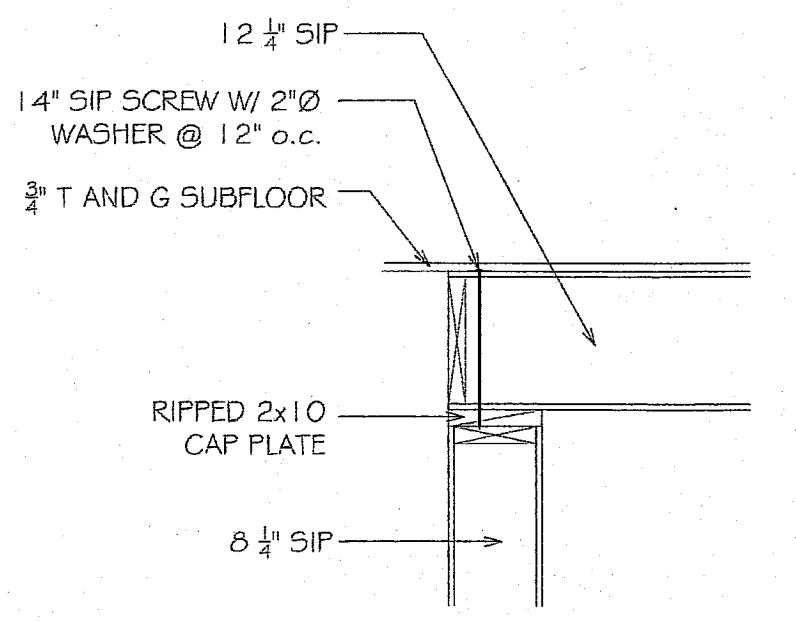
Date: 06/03/13



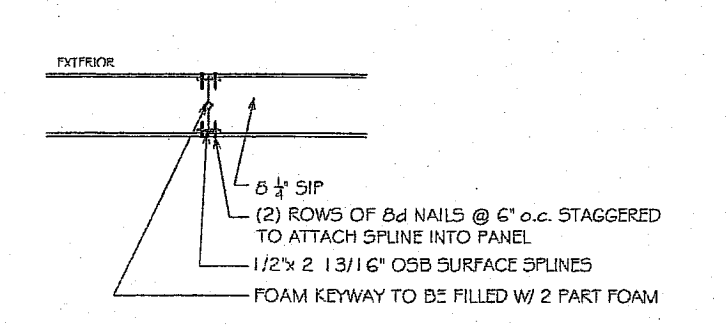
SECTION 1
SCALE: 1/4" = 1'-0"



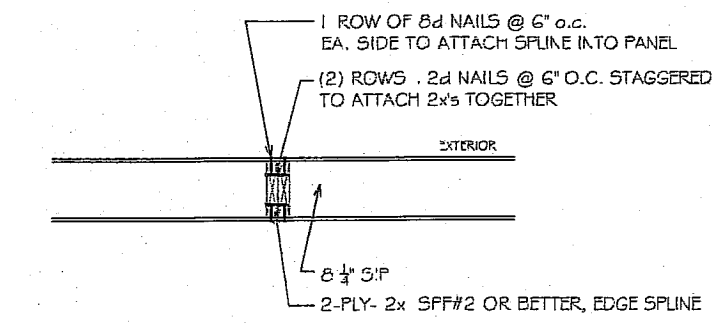
WALL SECTION
SCALE: 3/4" = 1'-0"



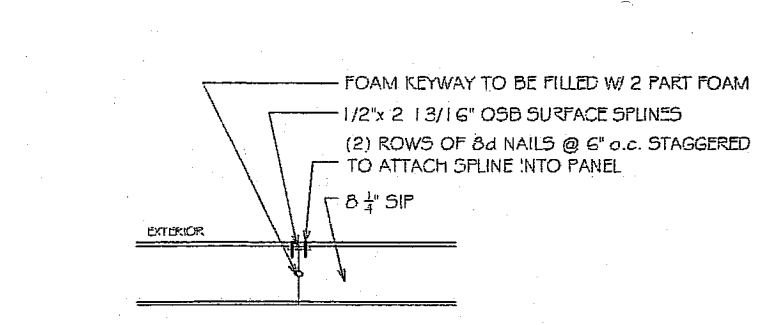
WALL SECTION: SIP FLOOR
SCALE: 3/4" = 1'-0"



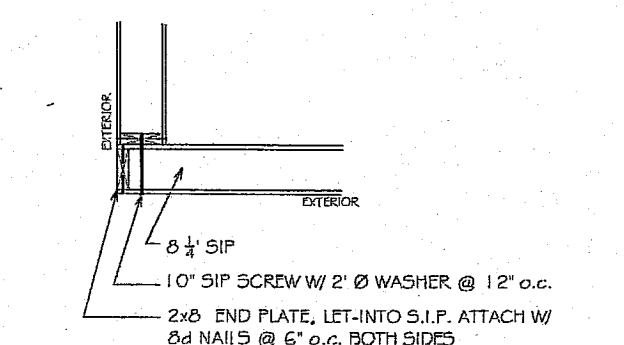
SIP DETAIL: DOUBLE SPLINE CONNECTION
SCALE: 1/2" = 1'-0"



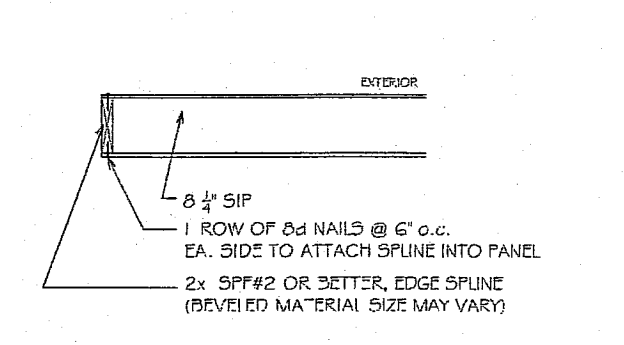
SIP DETAIL: DOUBLE LUMBER SPLINE
SCALE: 1/2" = 1'-0"



SIP DETAIL: SINGLE SPLINE CONNECTION
SCALE: 1/2" = 1'-0"



SIP DETAIL: CORNER
SCALE: 1/2" = 1'-0"



SIP DETAIL: PANEL EDGE
SCALE: 1/2" = 1'-0"

PANEL ROUTING AND BLOCKING ATTACHMENT DETAILS

NOTE 1: ALL PANEL ELEVATIONS VIEWED FROM EXTERIOR, U.I.O.

NOTE 2: ALL WINDOW AND DOOR R.O.S 5" SHALL BE FULL ROUTED (FR) UNLESS NOTED OTHERWISE.

NOTE 3: PANEL SEAMS SUBJECT TO CHANGE DURING PRODUCTION PROCESS. REFER TO "FOR CONSTRUCTION" DRAWINGS FOR FINAL LOCATIONS.

NOTE 4: PROVIDE APPROPRIATE CONTINUOUS SEALANT BETWEEN ALL FRAMING MEMBERS AND OSB PANEL SKINS DURING PRODUCTION AND INSTALLATION, TYP. REFER TO S.I.P.A. RECOMMENDATIONS, TYP.

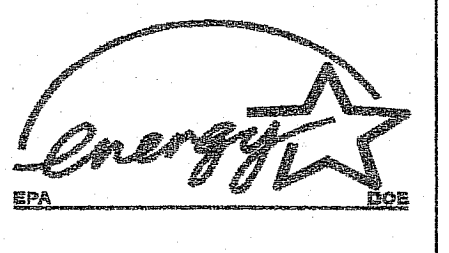
NOTE 5: USE "GREAT STUFF" FOAM ADHESIVE OR APPROVED EQUIVALENT AT ALL WOOD TO WOOD AND WOOD TO FOAM CONNECTIONS. USE SILL SEAL AT ALL WOOD TO CONCRETE CONNECTIONS. USE PANEL TAPE AT ALL INTERIOR ROOF SEAMS.

NOTE 6: ALL LUMBER TO BE KILN DRIED (KD)

WALLS: ARE 7 3/8" E.F.S. CORE STRUCTURAL INSULATED PANELS W/ 7/16" OSB SKINS. TOTAL PANEL THICKNESS IS 8 1/4".

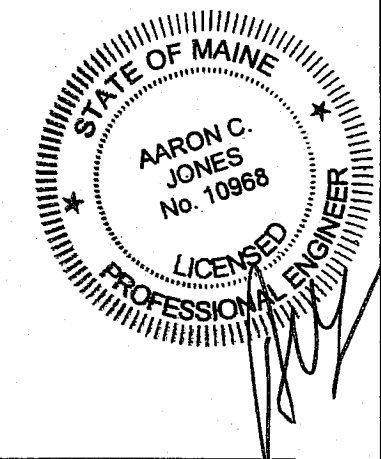
FLOOR AND ROOFS: ARE 1 1/2" E.F.S. CORE STRUCTURAL INSULATED PANELS W/ 7/16" OSB SKINS. TOTAL PANEL THICKNESS IS 12 1/4".

PANEL PROS
THE BUILDING SYSTEMS LEADER SINCE 1982
887 ROUTE 12 BLDG #9
WESTMORELAND NH 03487
TOLL FREE: 1-800-721-7075
WWW.PANELPROS.COM



MCCAIN RESIDENCE
MARK MCCAIN
45 SUMMER ST. PORTLAND, ME

SCALE: 1/4" = 1'
DATE: 4.29.13
DRAWN BY: JBG



Structural Integrity
Consulting Engineers, Inc.
P.O. 207-774-4414
E. 866-793-7833
www.structuralintegrity.com
arron@structuralintegrity.com
77 Oak Street | Portland, ME 04101

Arron C. Jones, P.E., S.E.C.R., LEED AP
President

SI # 13-0072

DRAWING NO.
S3
OF 5
5-21-13