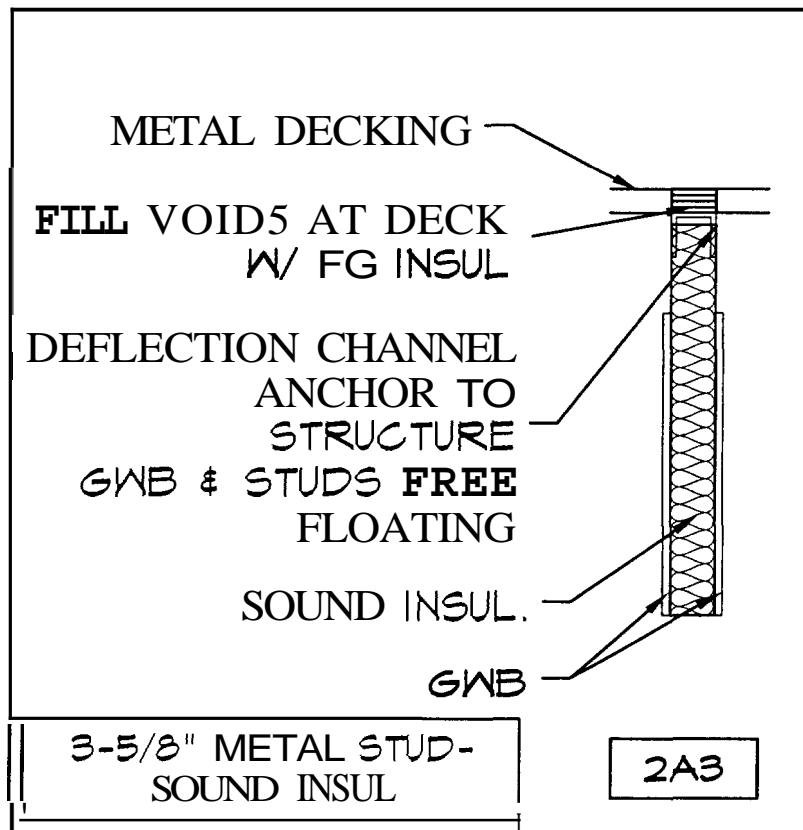


MATERIALS LEGEND
PDT Architects - 3/28/06

MATERIAL	NO.	MANUFACTURER	COLOR/FINISH	REMARKS
PAINT	P-1	SHERWIN WILLIAMS	SW 6141 SOFTER TAN	
	P-2	SHERWIN WILLIAMS	SW 6143 BASKET BEIGE	
	P-3	SHERWIN WILLIAMS	SW 6034 ARRESTING AUBURN	
	P-4	SHERWIN WILLIAMS	SW 7045 INTELLECTUAL GRAY	
VCT	VCT-1	ARMSTRONG - STANDARD EXCELON	#51809 DESERT BEIGE	
	VCT-2	ARMSTRONG - STANDARD EXCELON	#51803 PEARL WHITE	
CARPET	CPT-1	MANNINGTON - DESIGN SMITH	COLOR: IRON ORE	UNITARY BACKING
BASE	VB-1	JOHNSONITE - 4"	#29 MOONROCK	
	VB-2	JOHNSONITE - 4"	#09 CLAY	
CEILING	ACT-I	ARMSTRONG - CORTEGA #2767; SECOND LOOK II	WHITE	SEE OUTLINE SPECIFICATION FOR ADE ALTERNATE
ELASTIC LAMINATE	PLAM-1	WILSONART	#4761-60 MYSTIQUE MOUNT	

FINISH SCHEDULE
PDT Architects - 3/28/06

RM NO.	NAME	W/L				DOOR FRAMES	FLOOR	BASE	CLG	REMARKS
		N	E	LS						
				S	W					
						MAT.	MAT.	TYPE		
001	WAITING	P-1	P-3	P-1	P-1	P-1	CPT-1	WOOD	GWB	
002	CHECK-IN	P-1	P-1	P-3	P-1	P-2	CPT-1	WOOD	GWB	
003	RECEPTION	P-1	P-1	P-1	P-1	P-2	CPT-1	VB-1	ACT-1	PLAM-1 on counters
004	OFFICE	P-1	P-1	P-1	P-1	P-2	CPT-1	VB-1	ACT-1	PLAM-1 on counters
005	WORK AREA	P-1	P-1	P-1	P-1	P-2	CPT-1	VB-1	ACT-1	PLAM-1 on counters
006	CLOSET	P-1	P-1	P-1	P-1				ACT-1	
007	GYM	P-1	P-4	P-1	P-1	F Remarks			ACT-1	At Doors #008,009,and 011, use I 4 on door frames; South wall at Client Toilet and Treatment Room shall be P-4; PLAM-1 at counters
008	TREATMENT ROOM	P-1	P-1	P-4	P-1	P-2	CPT-1	VB-1	ACT-1	PLAM-1 on counter
009	CLIENT TOILET	P-1	P-4	P-1	P-1	P-2	VCT-1	VB-2	ACT-1	
010	STAFF TOILET	P-1	P-1	P-1	P-4	P-2	VCT-1	VB-2	ACT-1	
011	STAFFBREAK	P-1	P-1	P-1	P-1	P-2	VCT-1/2 checker- board pattern	VB-2	ACT-1	PLAM-1 on counters
Notes:										
.) Review locations of paint colors with architect before commencing work										
.)										



ARCHITECTURE
INTERIOR DESIGN
PLANNING

49 DARTMOUTH STREET
PORTLAND, ME 04101
207 775-1059
207 775-2694 PAX

© 006 PDT Arc tacts

Advanced Physical Therapy

TITLE TYPICAL INTERIOR
WALL

JOB # 06-006

212 942-0178

DAUG-

772 8687-105

KAMM-

774-1043 102

DAVE KIMEDY

1866-585-1500

DAVE GAIC

978-790-0250

~~BOB CURTIS -~~

~~774-7899 332-5056 ACC~~