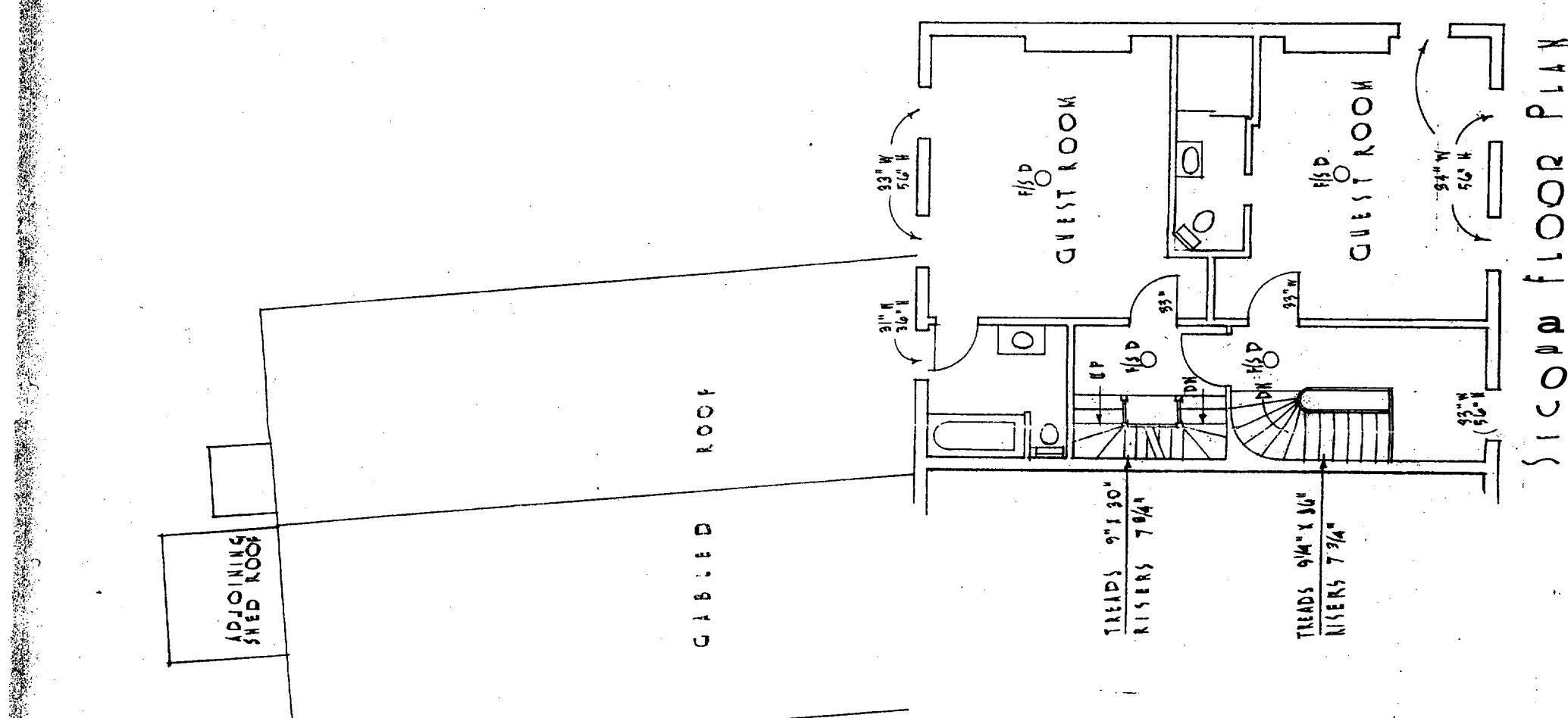
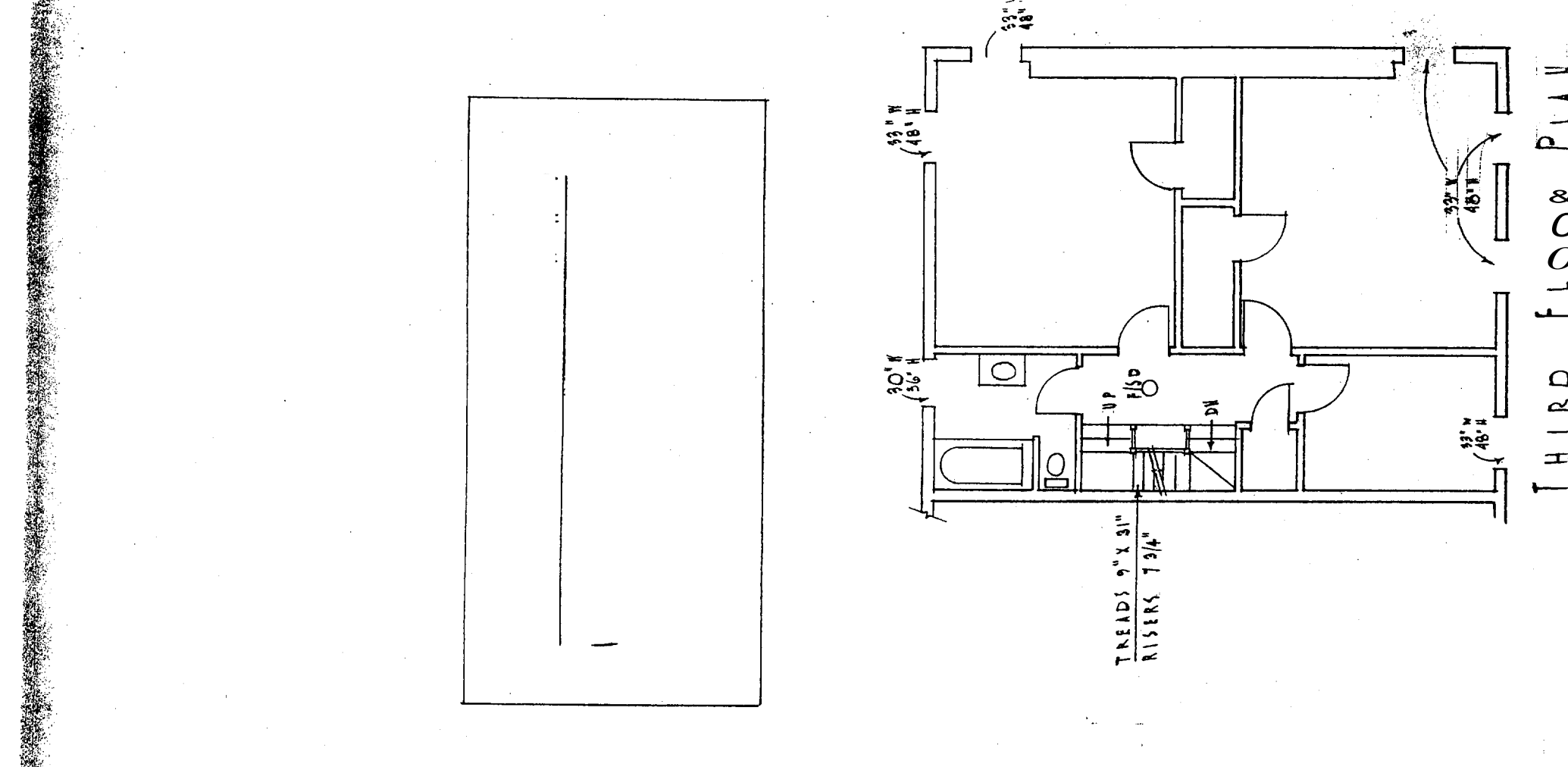


FIRST FLOOR PLAN



SECOND FLOOR PLAN

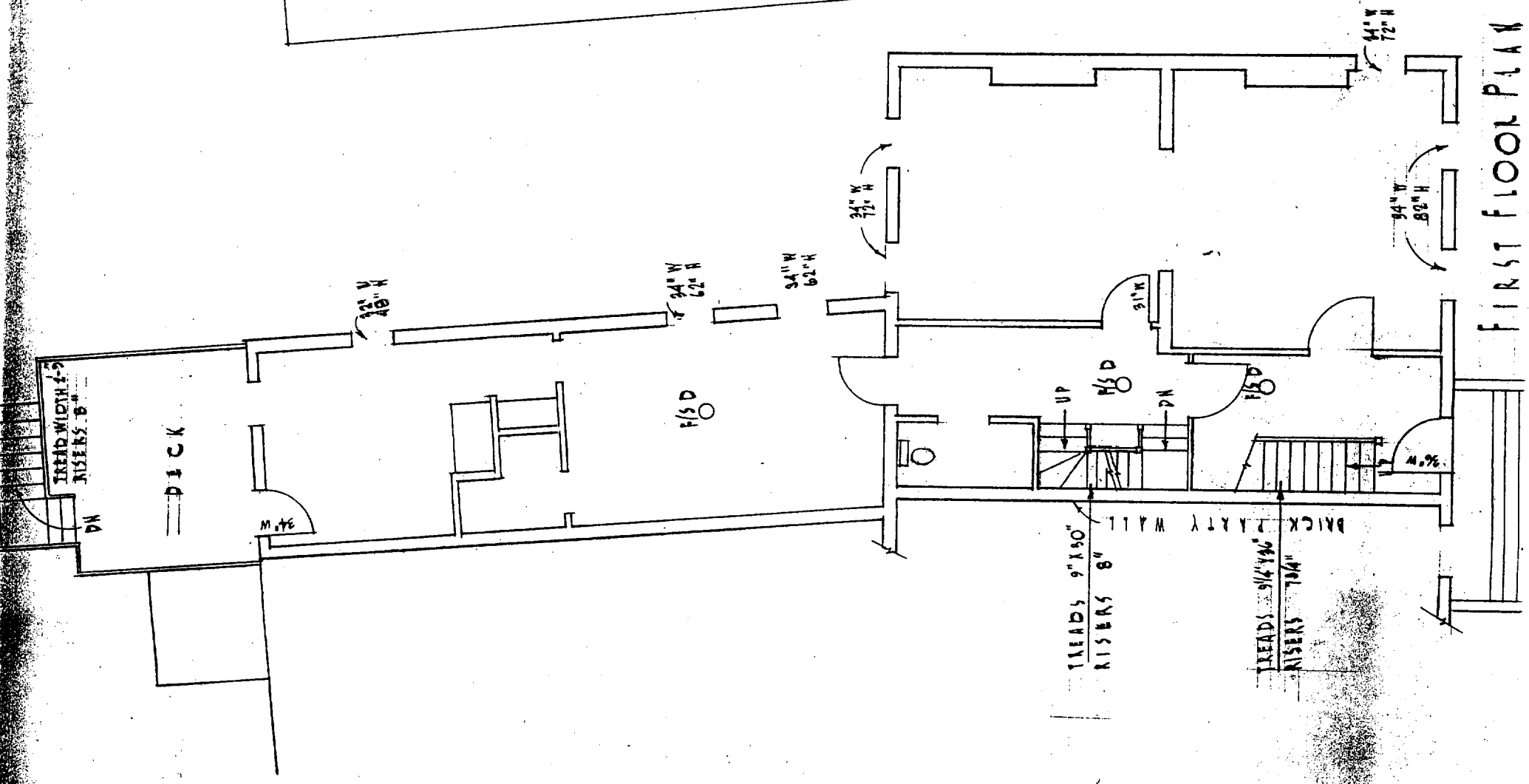


THIRD FLOOR PLAN

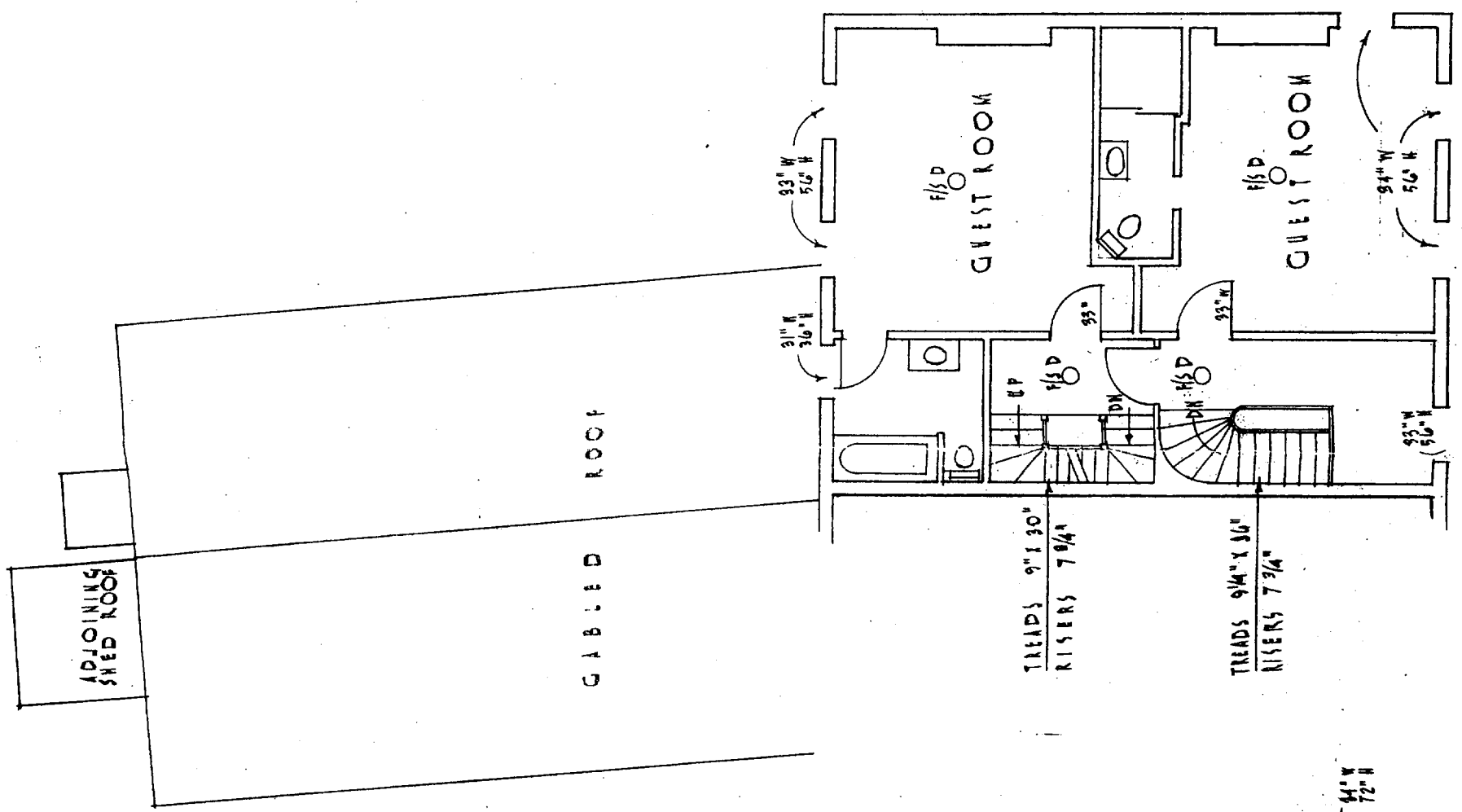
DEPT. OF BUILDING INSPECTION
CITY OF PORTLAND, ME
FEB 28 2003
RECEIVED

Additional Plans

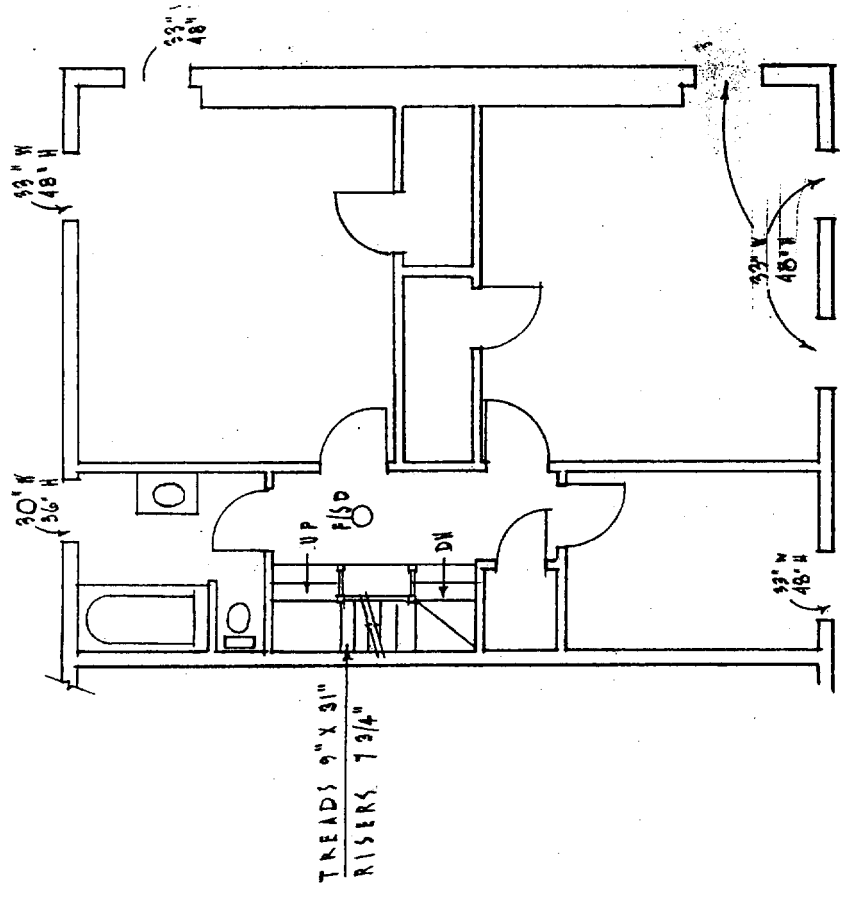
FLOOR PLANS
198 DANFORTH ST. PORTLAND
SCALE 1/8" = 1'-0" DATE 2/25/03 BY A.TAYLOR



FIRST FLOOR PLAN



SECOND FLOOR PLAN



THIRD FLOOR PLAN