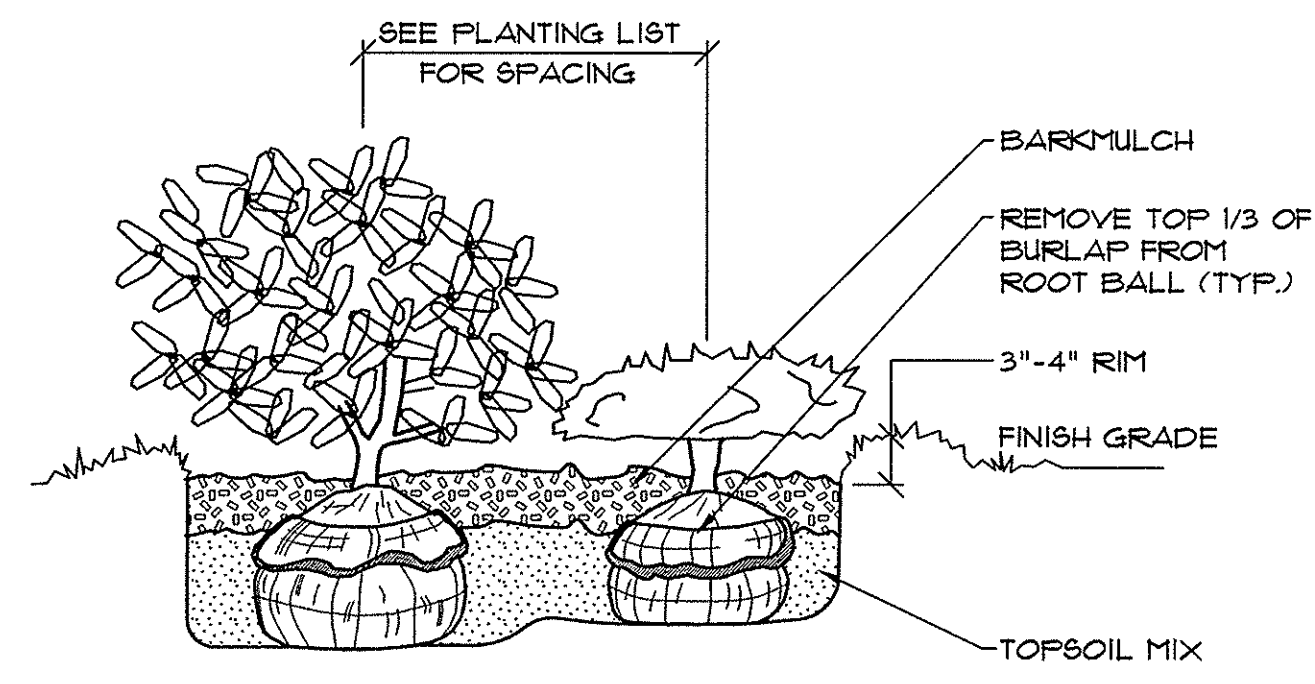
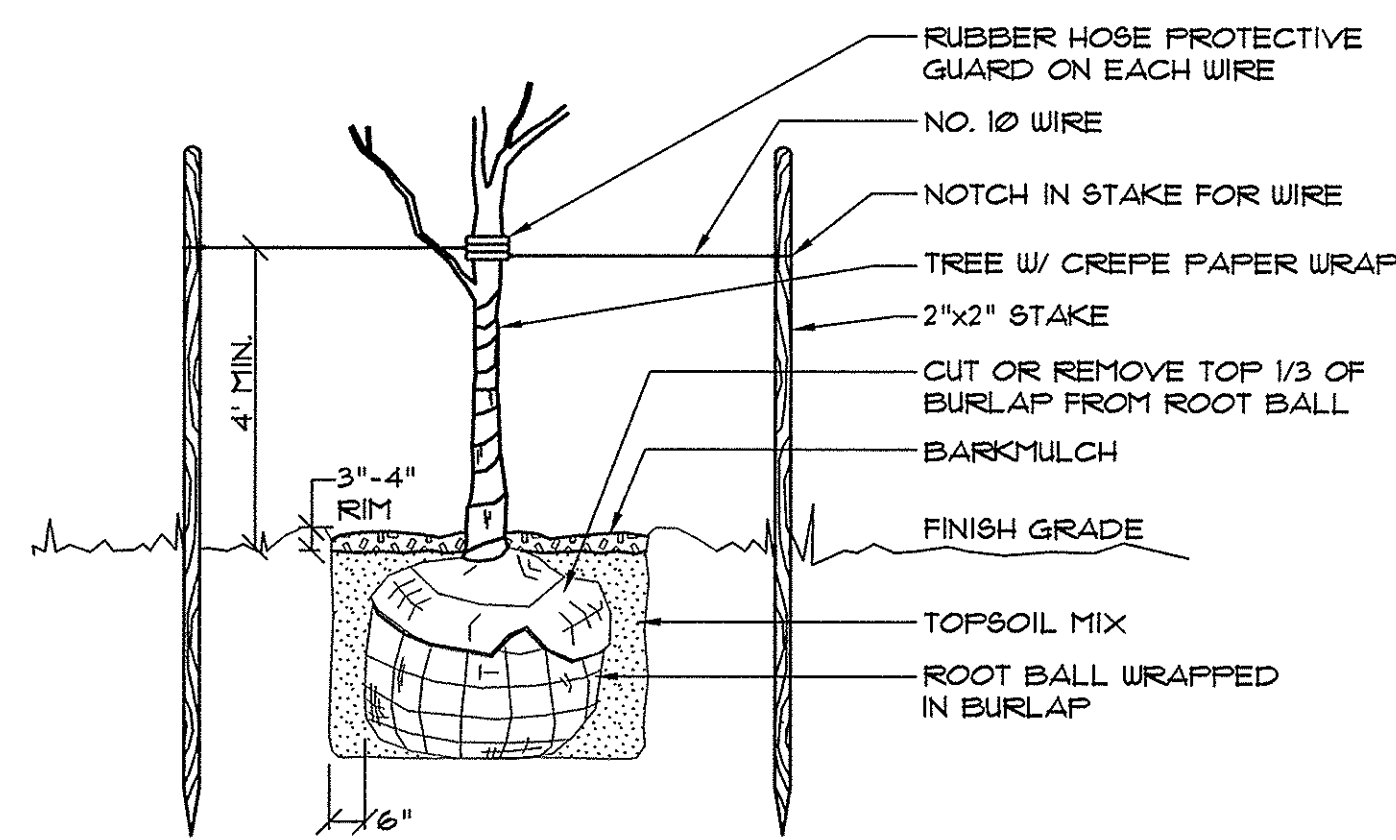


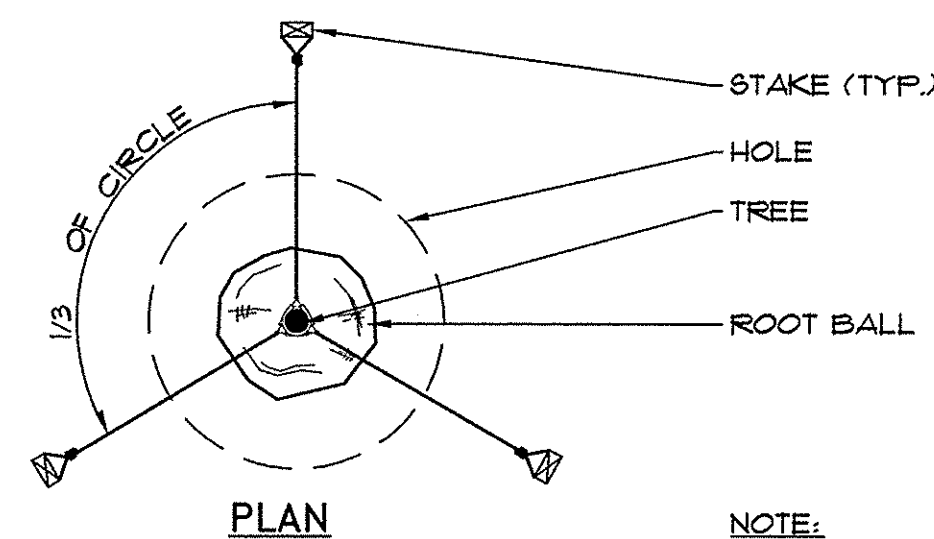
7 BIKE RACK DETAIL NOT TO SCALE



5 SHRUB PLANTING DETAIL NOT TO SCALE



SECTION



PLAN

NOTE: TREES UNDER 8' DO NOT REQUIRE STAKING.

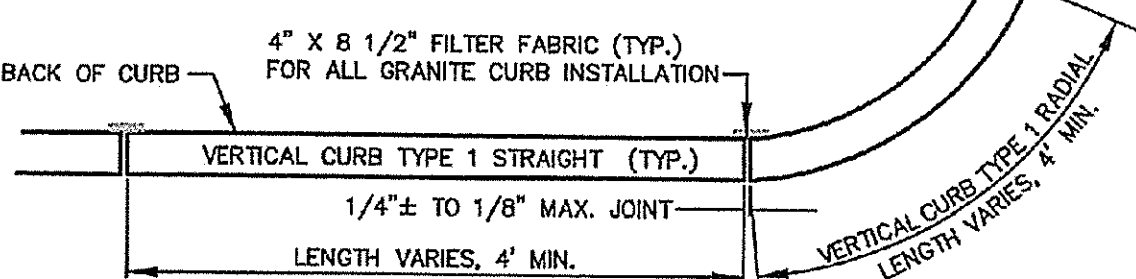
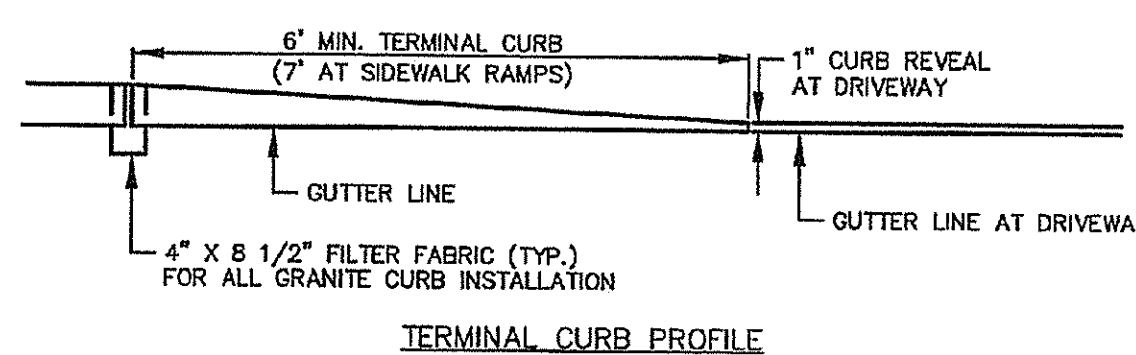
6 TREE PLANTING DETAIL NOT TO SCALE

CONSTRUCTION	USE
<ul style="list-style-type: none"> 1 1/4" HMA MDOT 9.5mm 2 1/4" HMA MDOT 19.0mm 4" COMPACTED AGGREGATE BASE, MDOT 103.06(a) TYPE A 15" COMPACTED AGGREGATE SUBBASE, MDOT 103.06(b) TYPE D COMPACTED SUBGRADE 	<p>BITUMINOUS</p> <p>FULL DEPTH CONSTRUCTION</p>
<ul style="list-style-type: none"> 4" TOPSOIL, NO STONES OVER 3/4" DIA. GRANULAR MATERIAL IN FILL AREAS COMPACTED SUBGRADE 	<p>GRASS</p> <p>ALL DISTURBED AREAS</p>
<ul style="list-style-type: none"> 3" BARK MULCH PREPARED SUBGRADE 	<p>PLANT BED</p> <p>BARK MULCH</p>

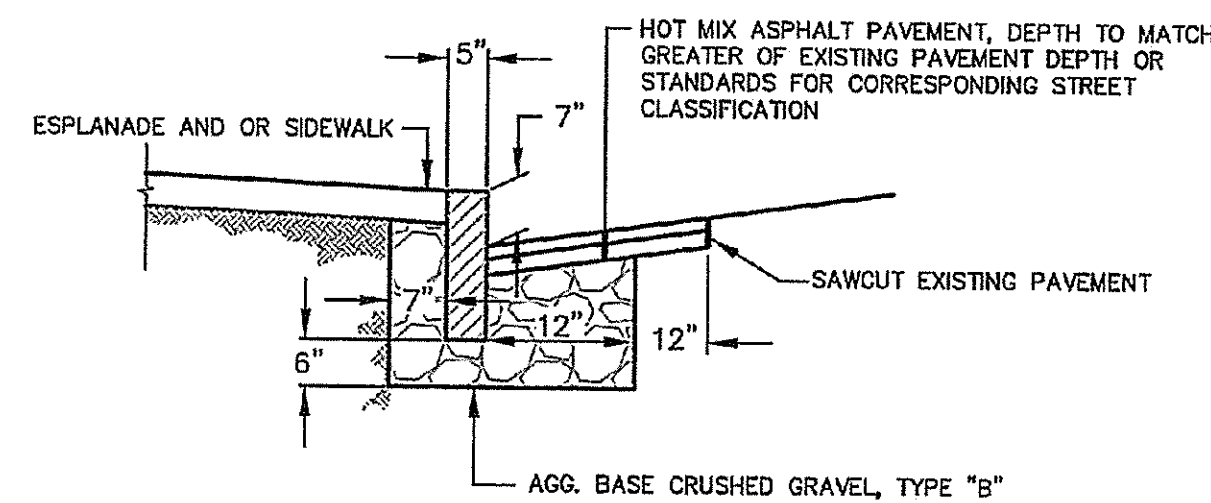
NOTES:

- HMA = HOT MIX ASPHALT.
MDOT = MAINE DEPARTMENT OF TRANSPORTATION.
- ALL COURSE THICKNESS AFTER FINAL COMPACTION.

2 SCHEDULE OF SURFACE FINISHES ON-SITE NOT TO SCALE

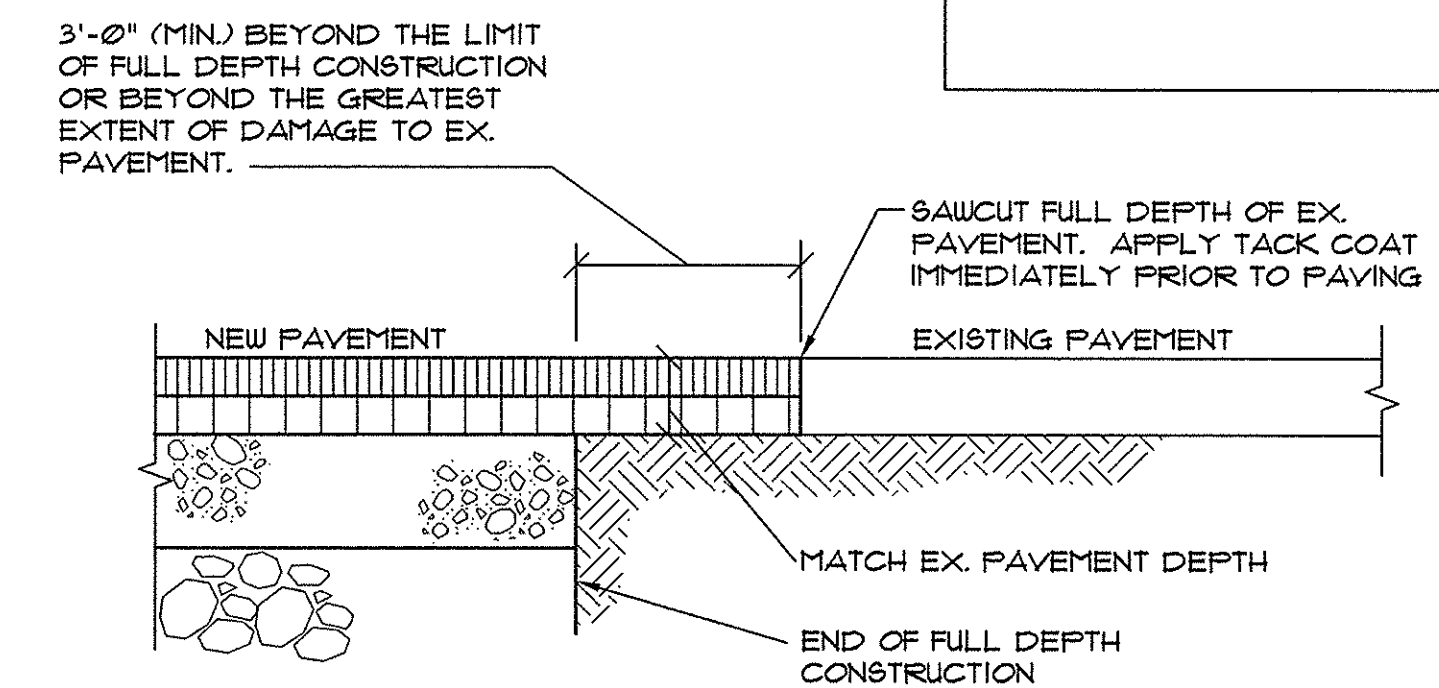


VERTICAL GRANITE CURB PLAN VIEW

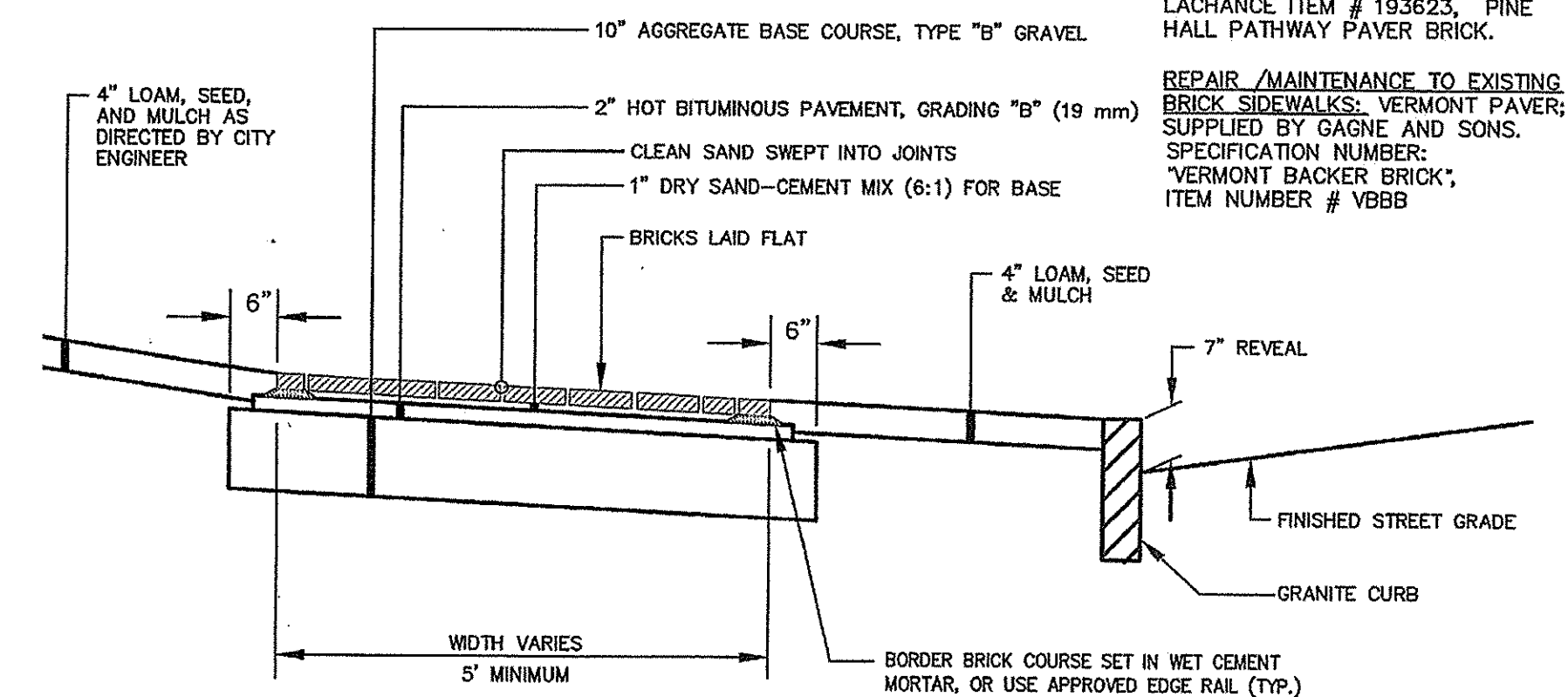


VERTICAL GRANITE CURB CROSS SECTION

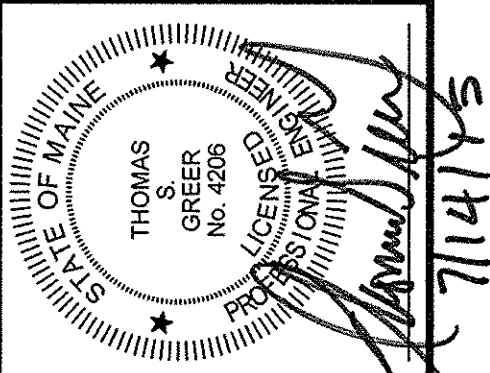
4 VERTICAL GRANITE CURB INSTALLATION IN EXISTING STREET (1-17) NOT TO SCALE



1 PAVEMENT CUTTING & MATCHING SECTION NOT TO SCALE



3 BRICK SIDEWALK WITH BITUMINOUS BASE (1-10) NOT TO SCALE



NO.	DATE	REV.	DESCRIPTION
2	7/14/15	1	FOR CITY SUBMITTAL
1	5/20/15	1	REV. PER STAFF COMMENTS

BRIGGS STREET PROPERTY, LLC
55 SALEM ST #B
PORTLAND, ME. 04102

SCALE: AS SHOWN
DATE: APRIL 7, 2015
PROJECT: 14164

DRN BY: JDC/RJS
DESC BY: TSG
CHK BY: TSG

5 BRIGGS STREET
PORTLAND, MAINE

C2.3

7/14/15