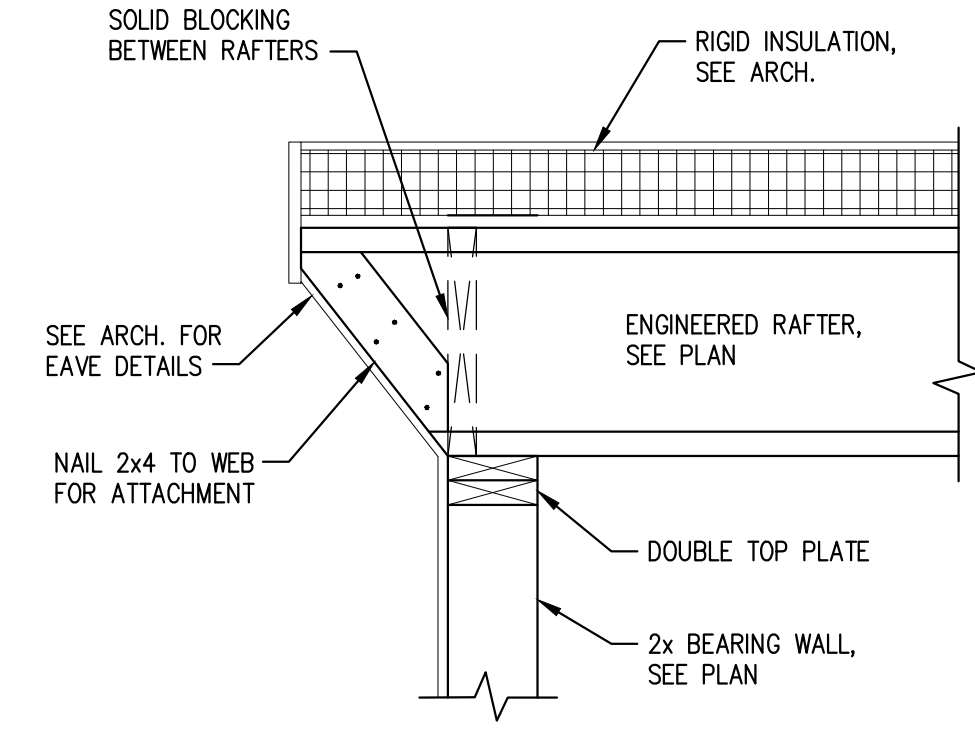


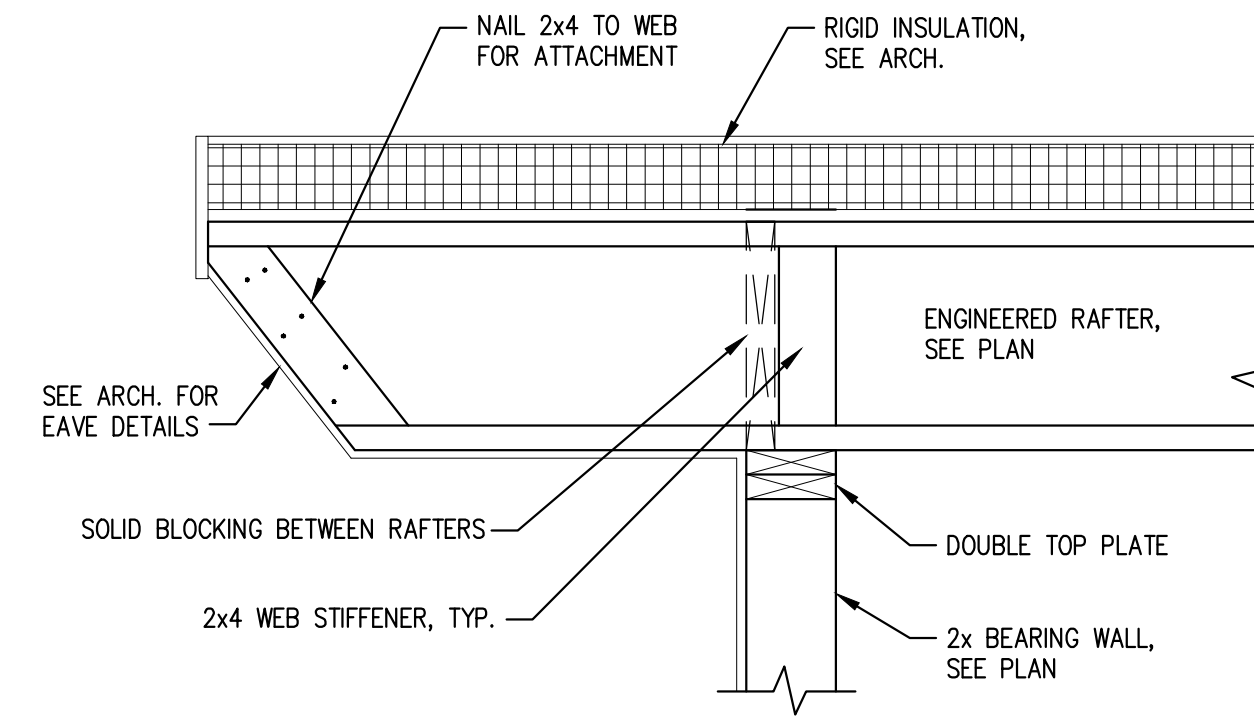
NOTE: BLOCK BEARING WALLS @ 4'-0"o.c., VERT., TYP.

1 SECTION 1" = 1'-0"



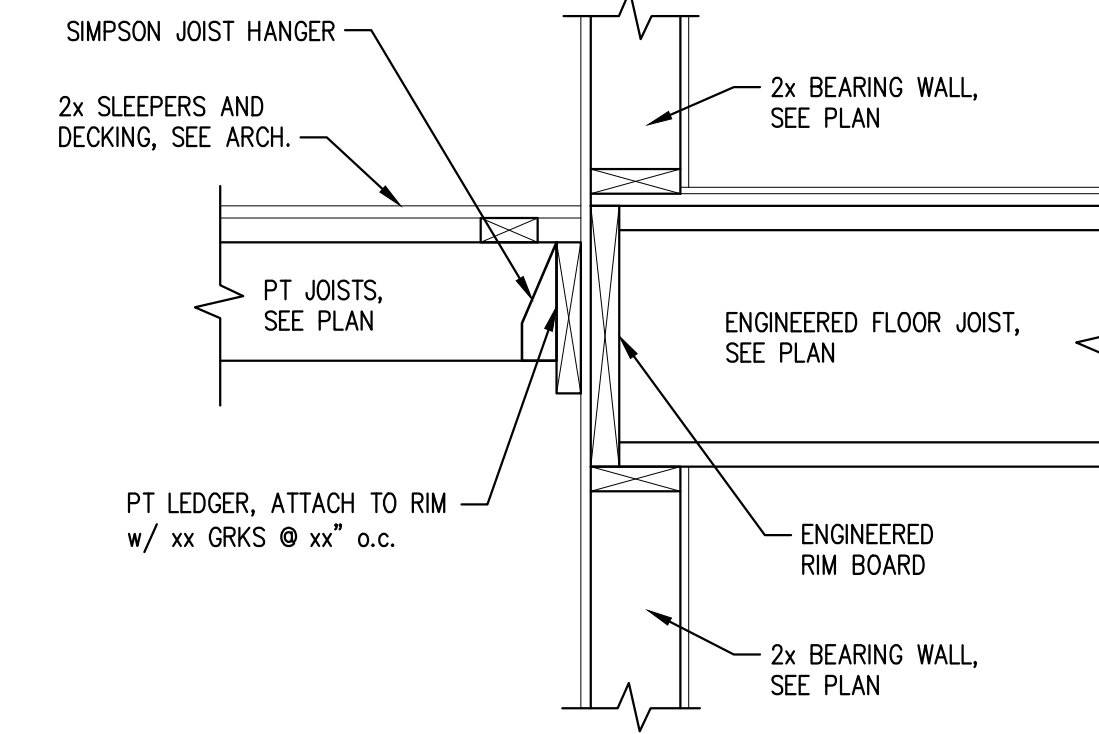
NOTE: BLOCK BEARING WALLS @ 4'-0"o.c., VERT., TYP.

2 SECTION 1" = 1'-0"



NOTE: BLOCK BEARING WALLS @ 4'-0"o.c., VERT., TYP.

3 SECTION 1" = 1'-0"



4 SECTION 1" = 1'-0"

PRINTED: Jun 02, 2015

No.	DESCRIPTION	DR.		CHKD.		DATE
		BY	TD	BY	PR	
A	ISSUED FOR PERMIT - NOT FOR CONSTRUCTION					5-29-15

SHEET TITLE:

**FRAMING**  
**DETAILS**

DESIGNED:	TD
DRAWN:	TD
DATE:	4-23-15
PROJECT NUMBER:	15-052