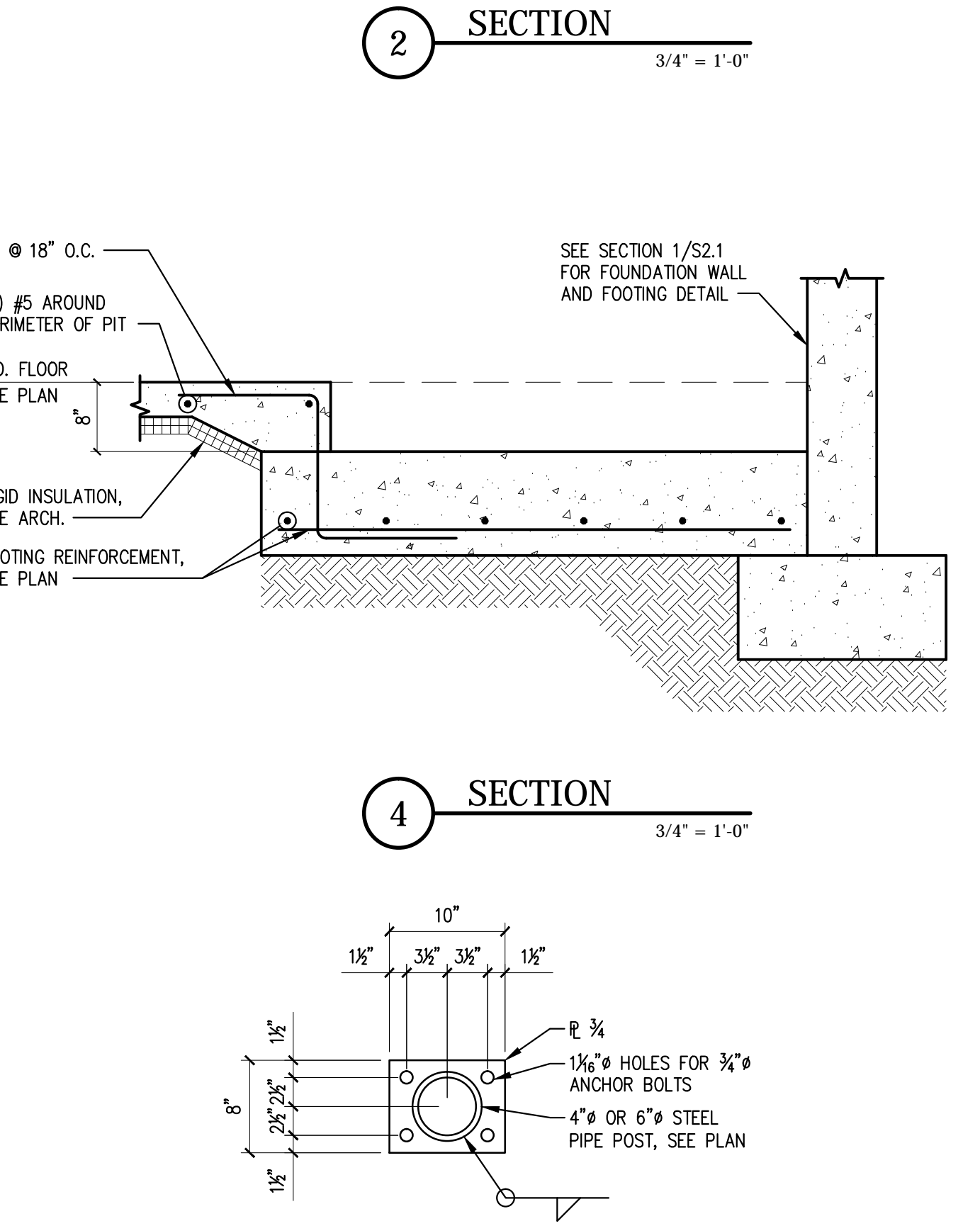
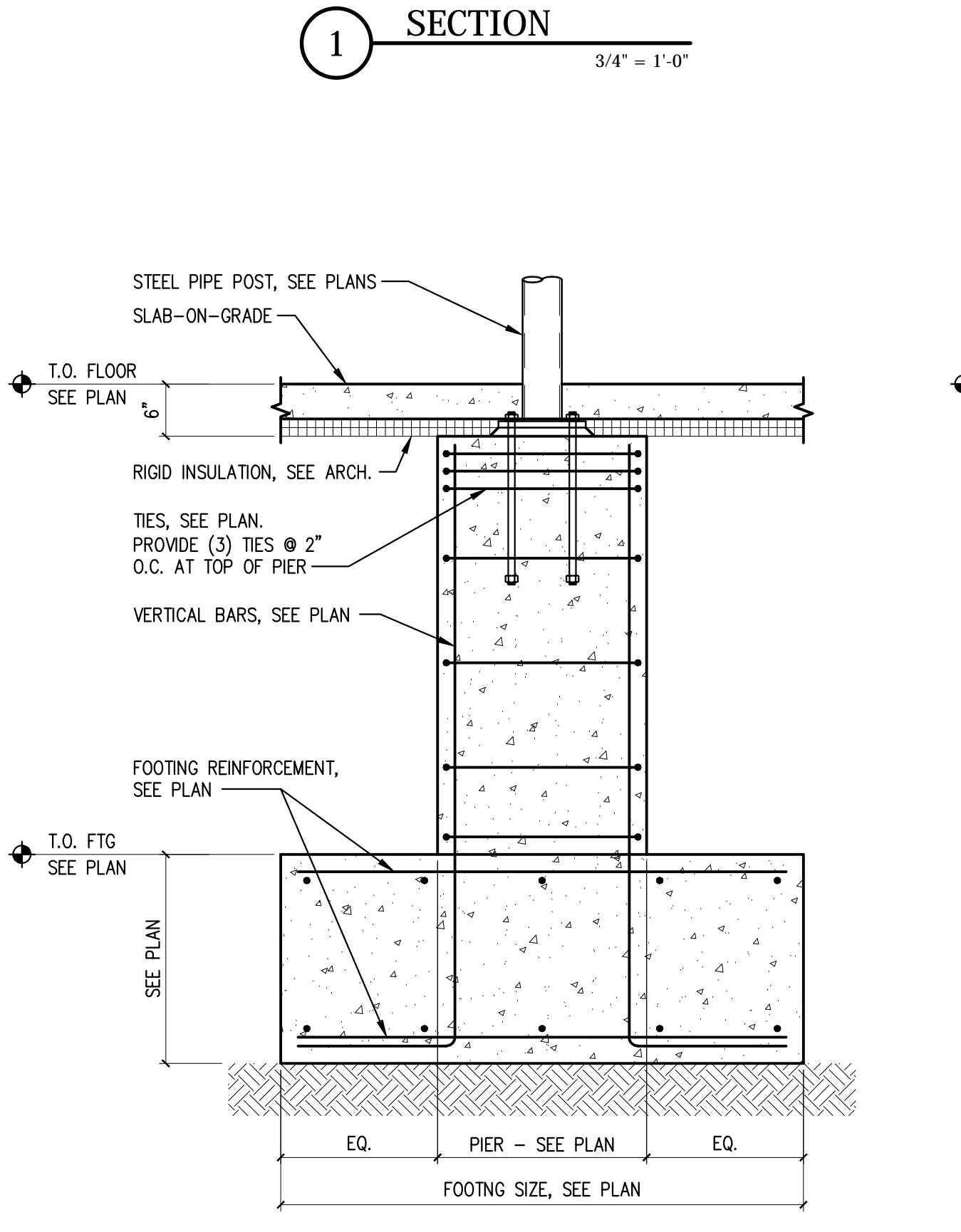
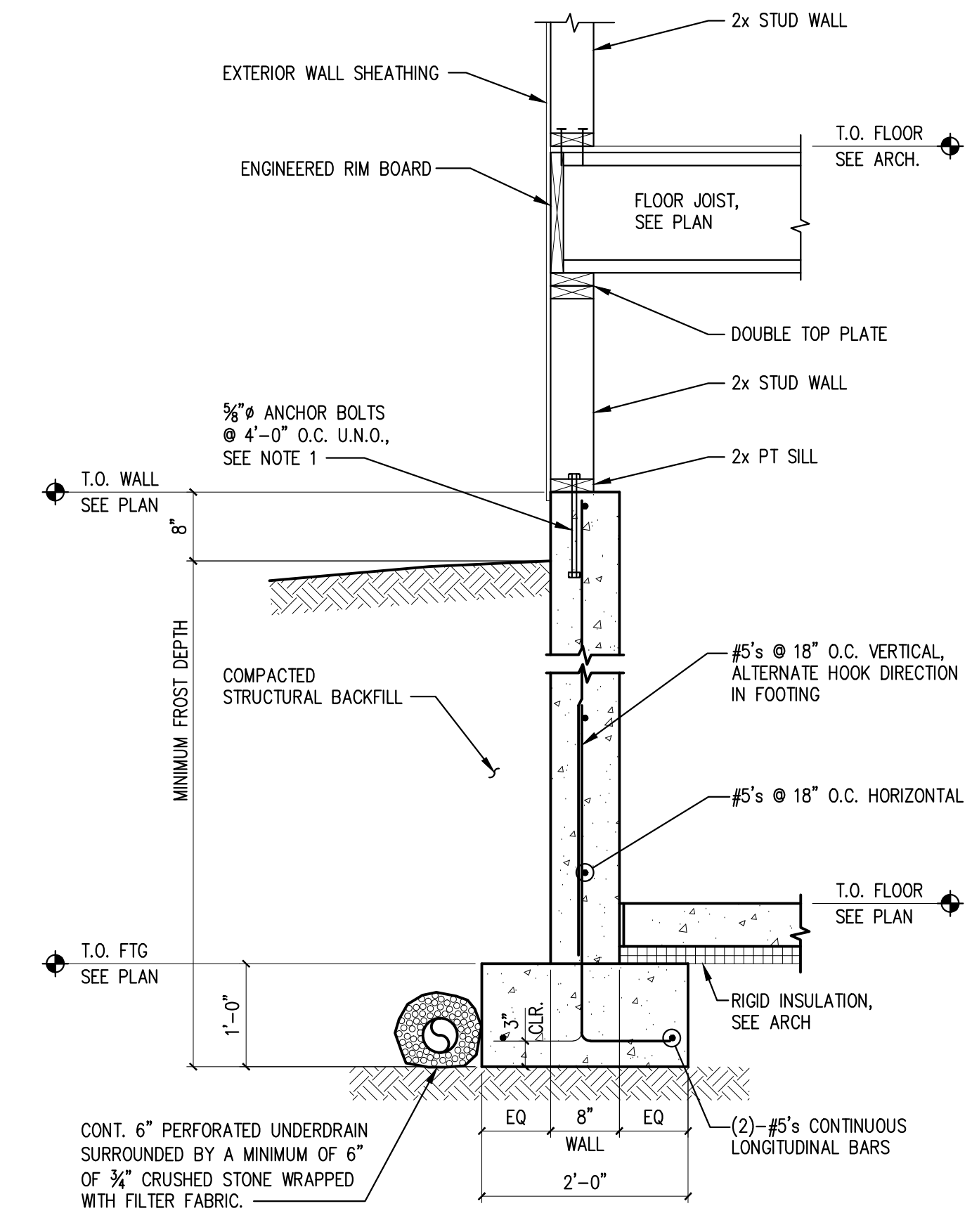
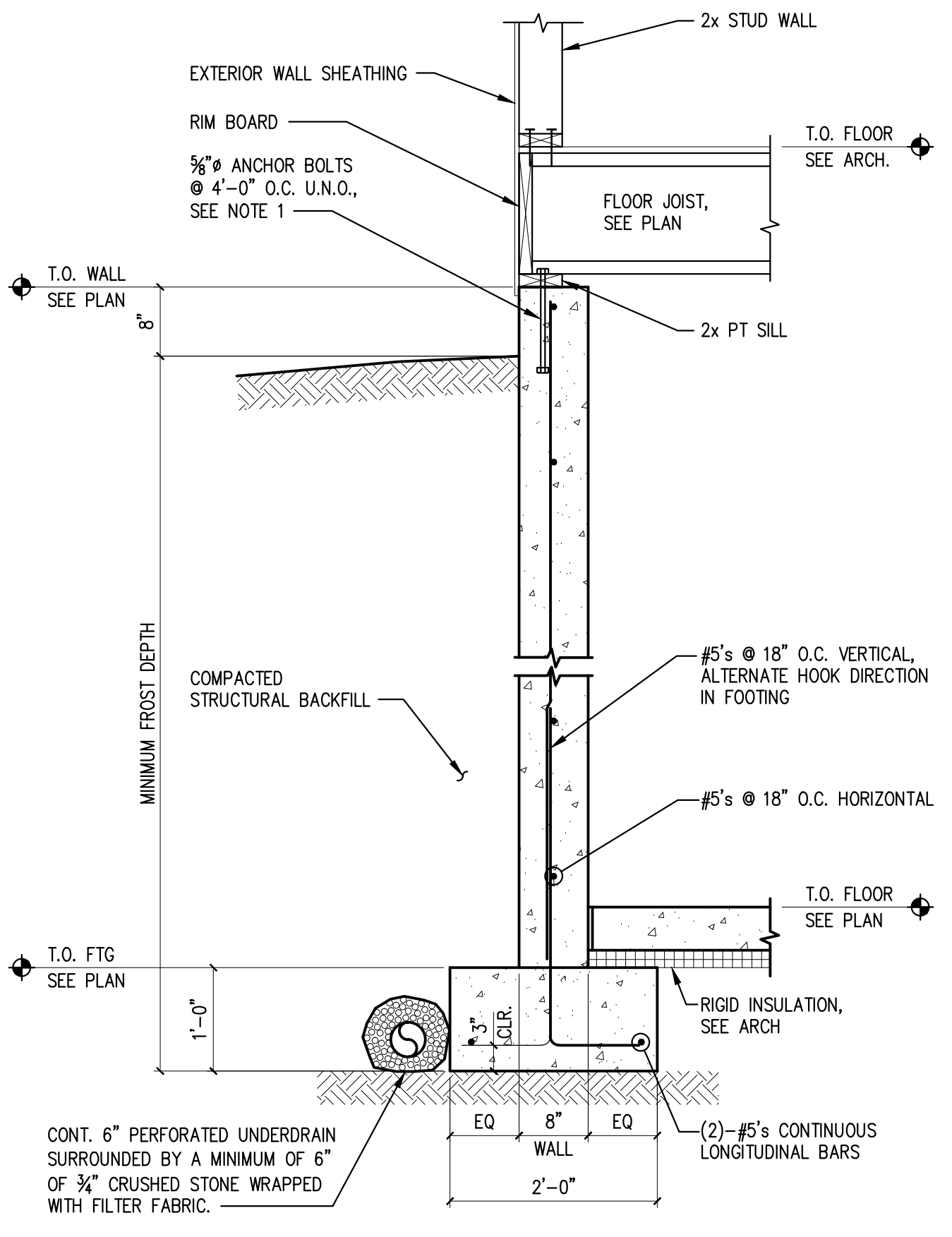
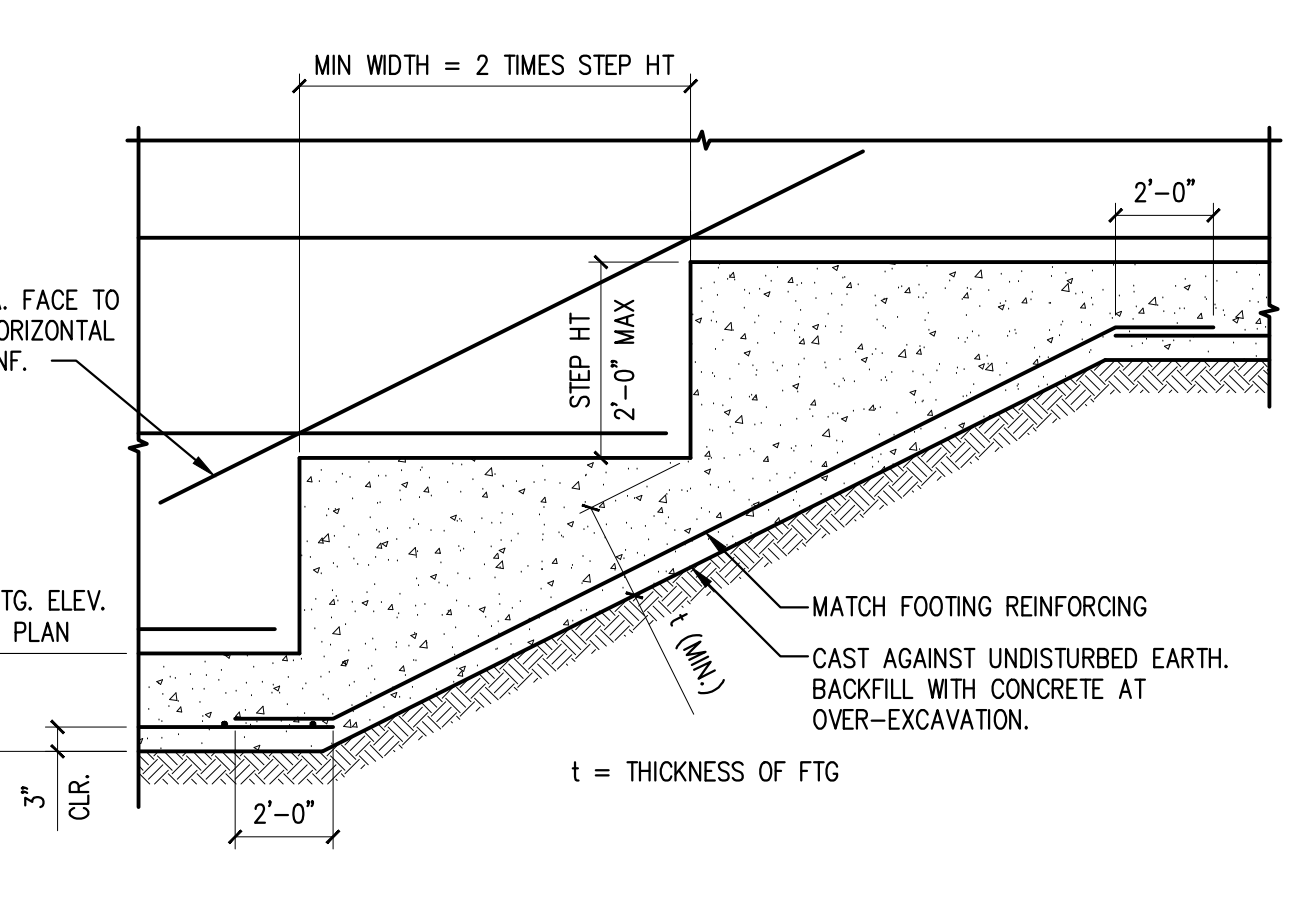
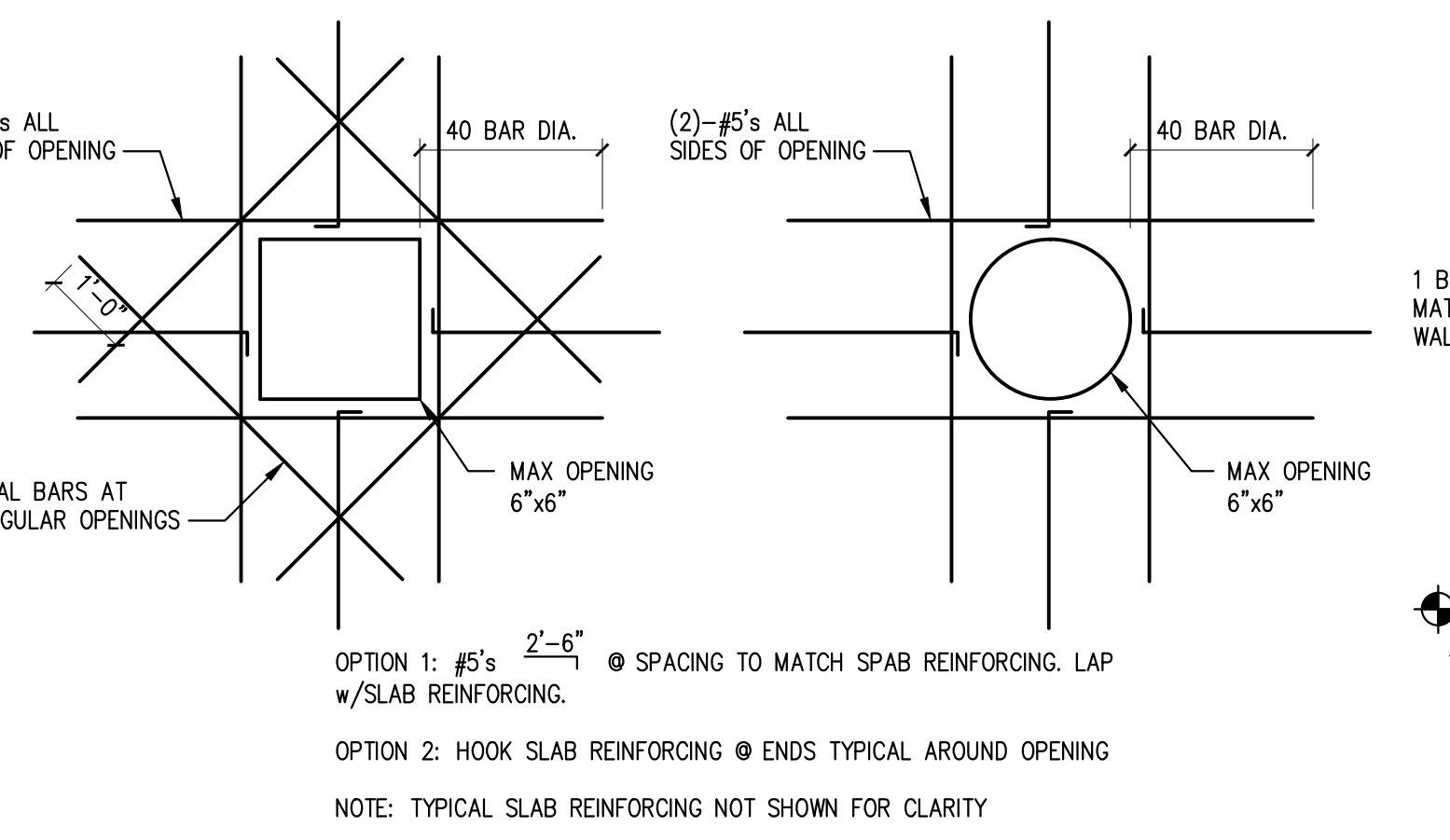
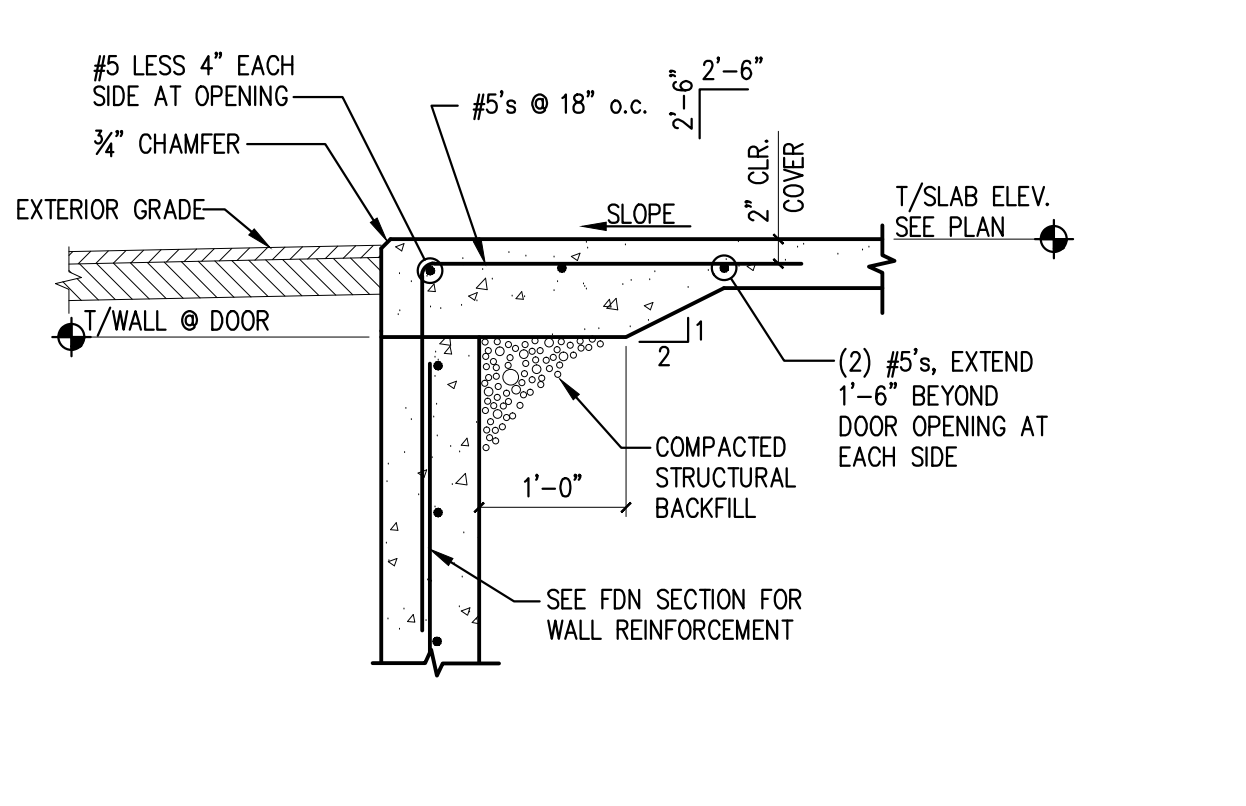
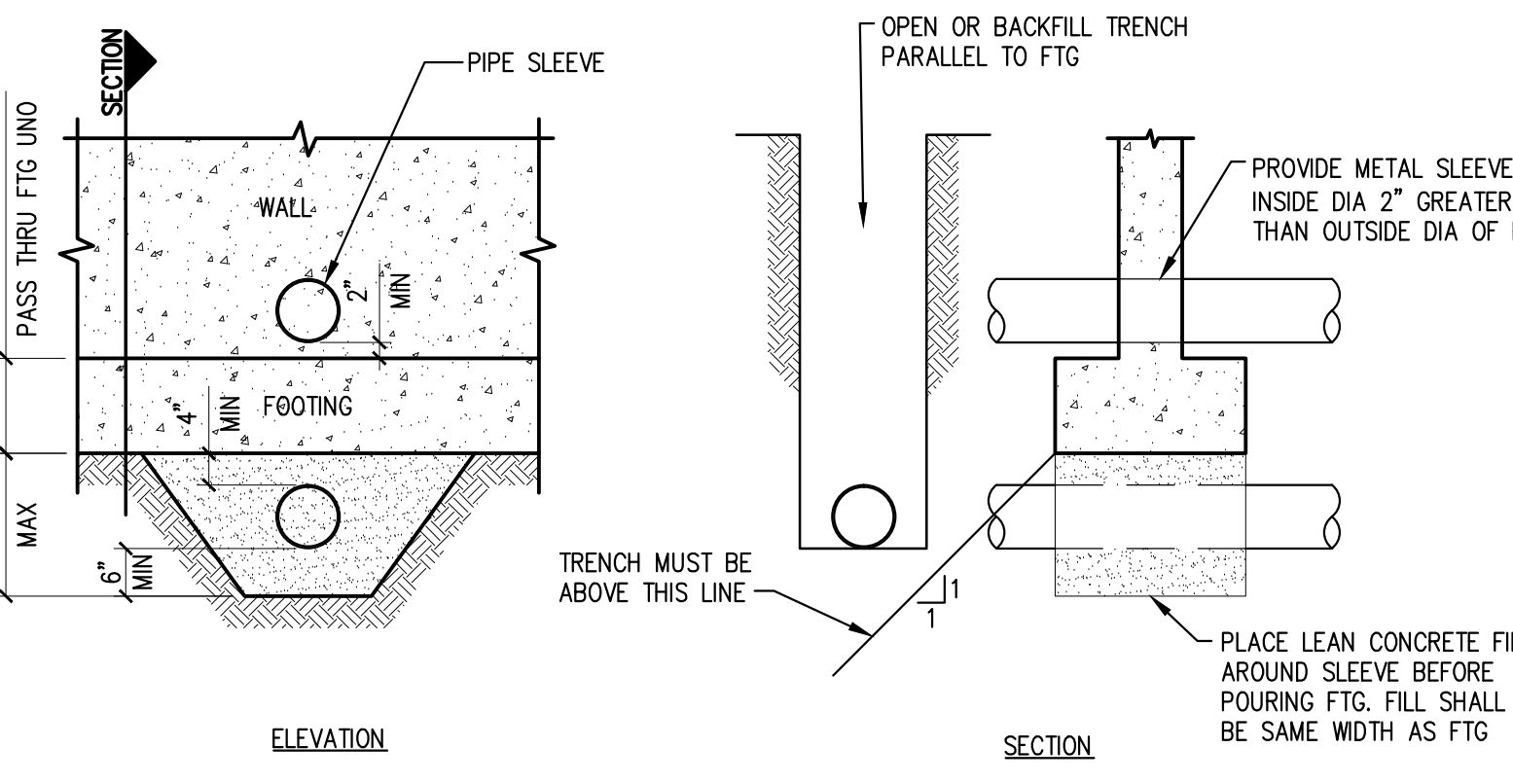
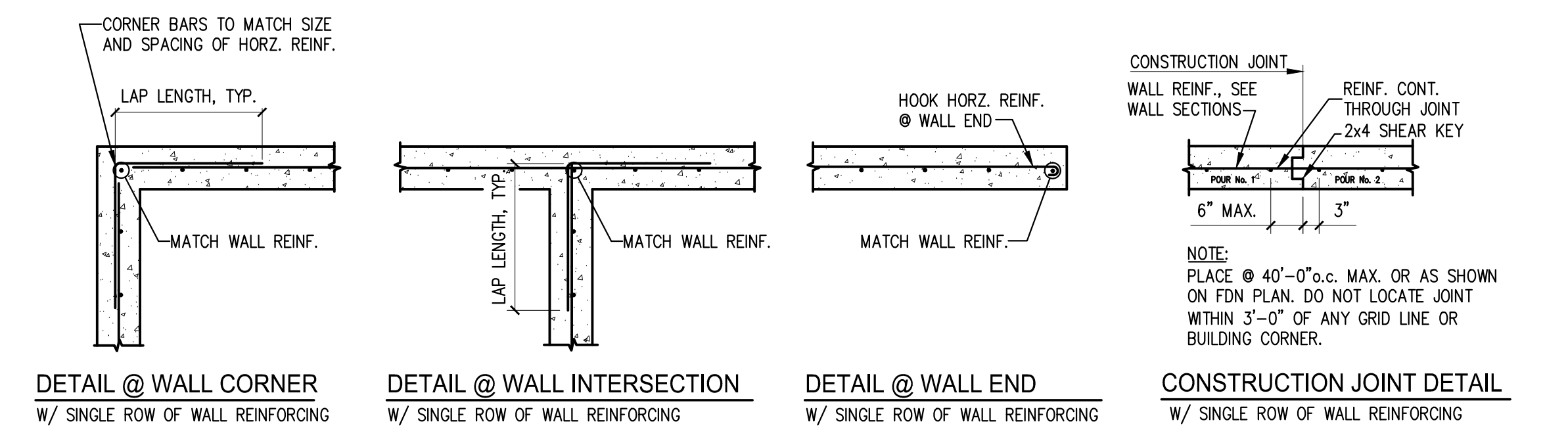
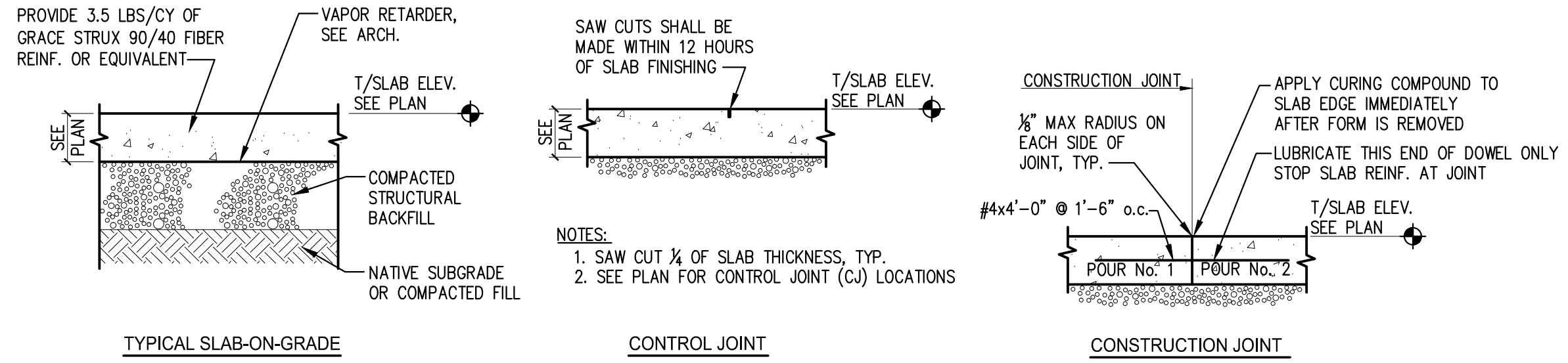


ISSUED	NO.	DESCRIPTION	DATE	DR.		BY		DATE	
				CHKD	BY	TD	PR	ISSUED FOR PERMIT - NOT FOR CONSTRUCTION	
	A	ISSUED FOR PERMIT - NOT FOR CONSTRUCTION	5-29-15						

SHEET TITLE:
TYP. CONCRETE DETAILS AND SECTIONS

DESIGNED:	TD
DRAWN:	TD
DATE:	4-23-15
PROJECT NUMBER:	15-052



PRINTED: Jun 02, 2015