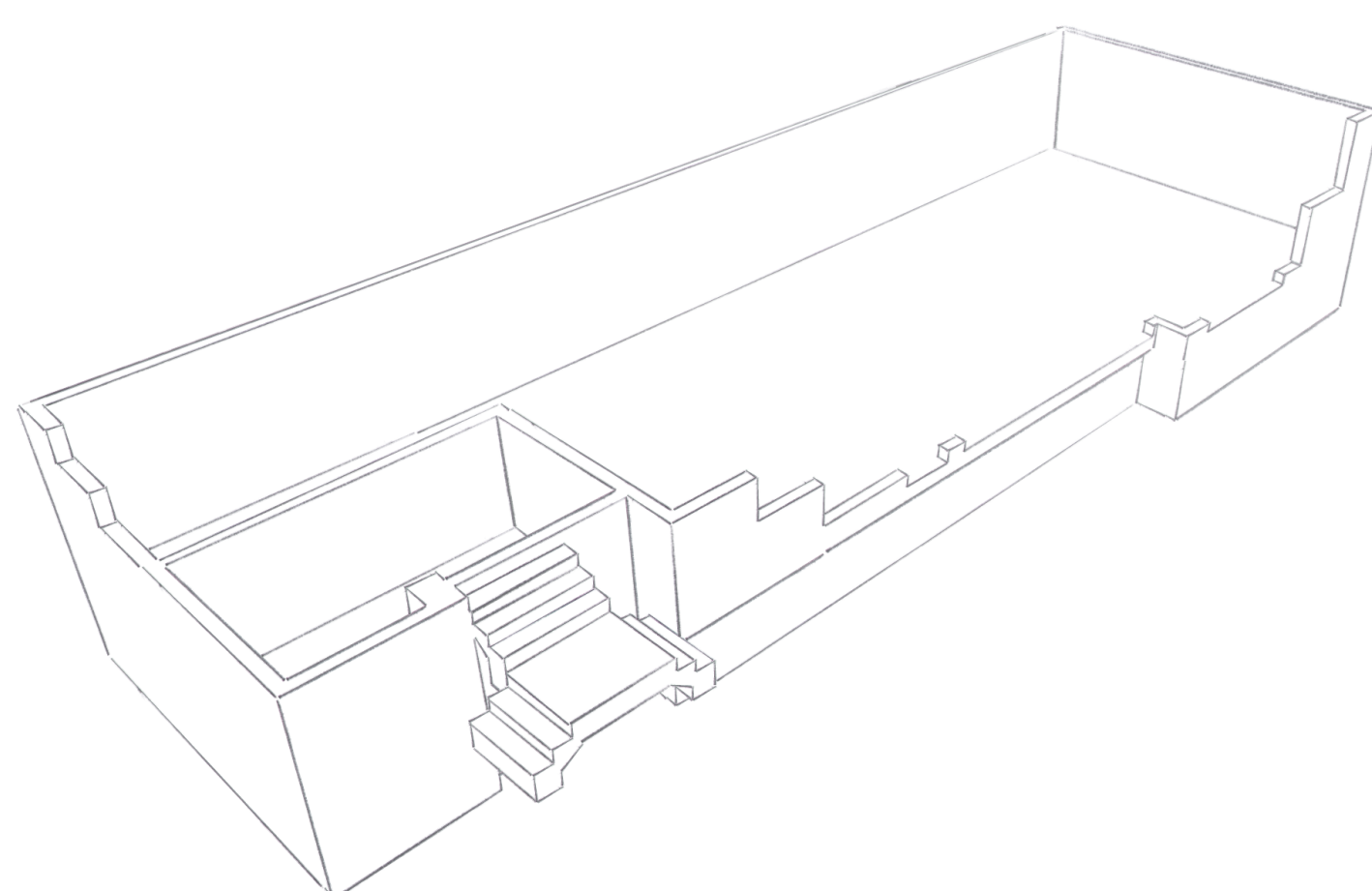
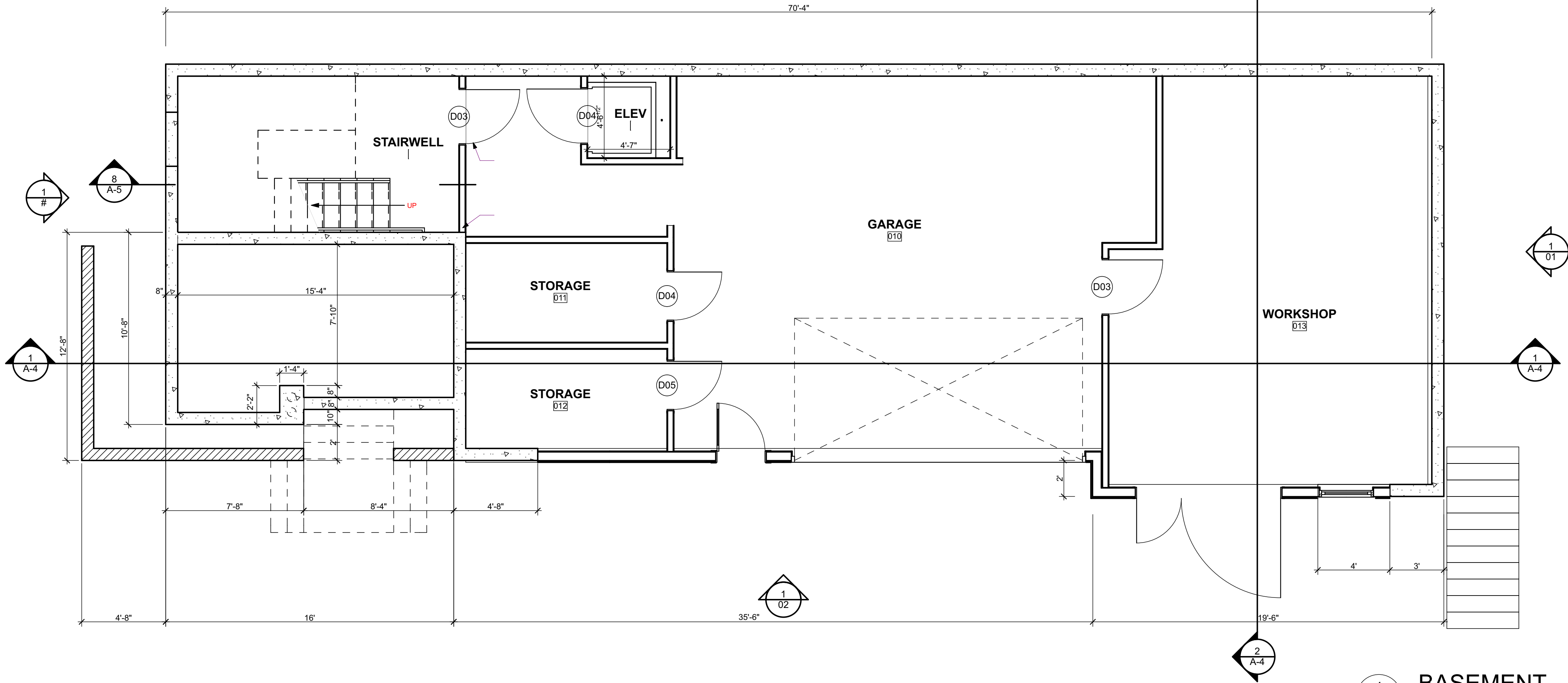
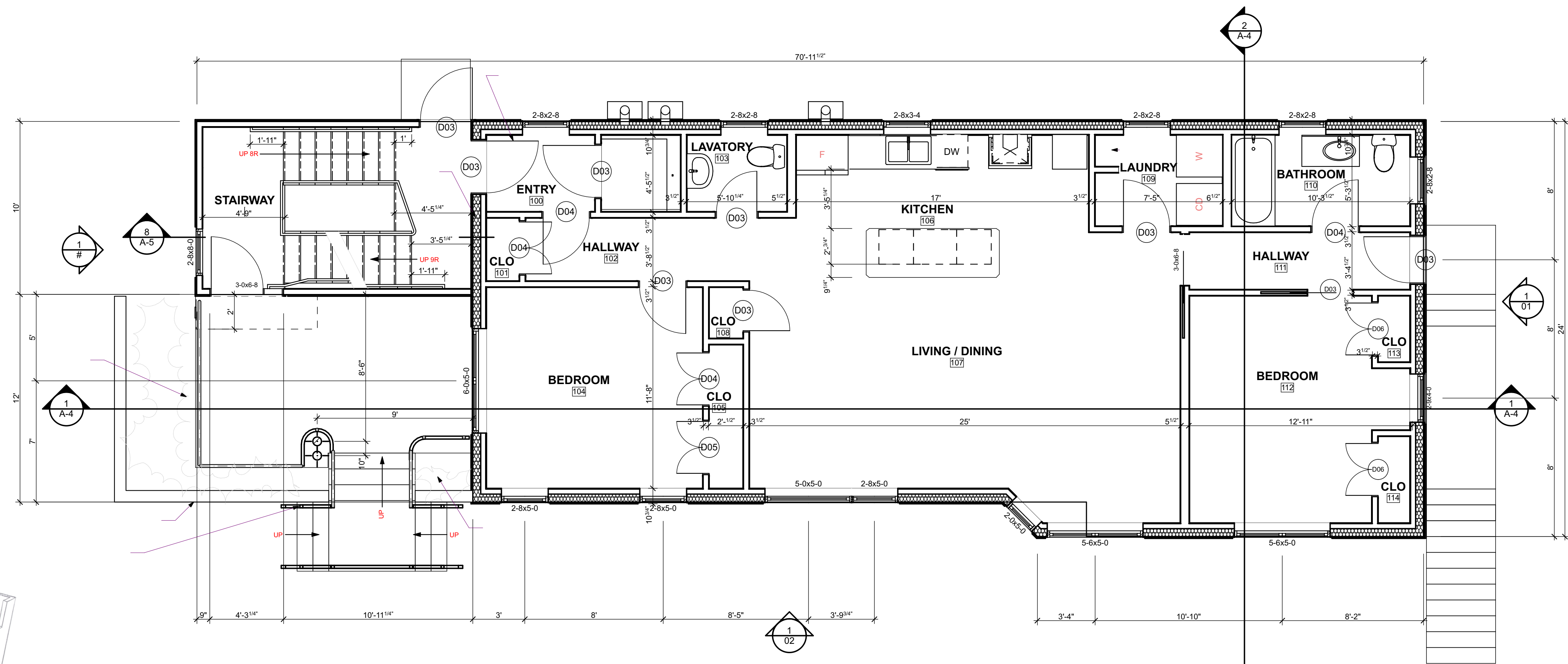


MARK	DATE	DESCRIPTION

DATE:	6/9/15
CHECKED BY:	JWW/CAC
DRAWN BY:	JWW/CAC
JOB:	BSA
SHEET TITLE:	



4 FOUNDATION PERSPECTIVE
 A-1 NOT TO SCALE