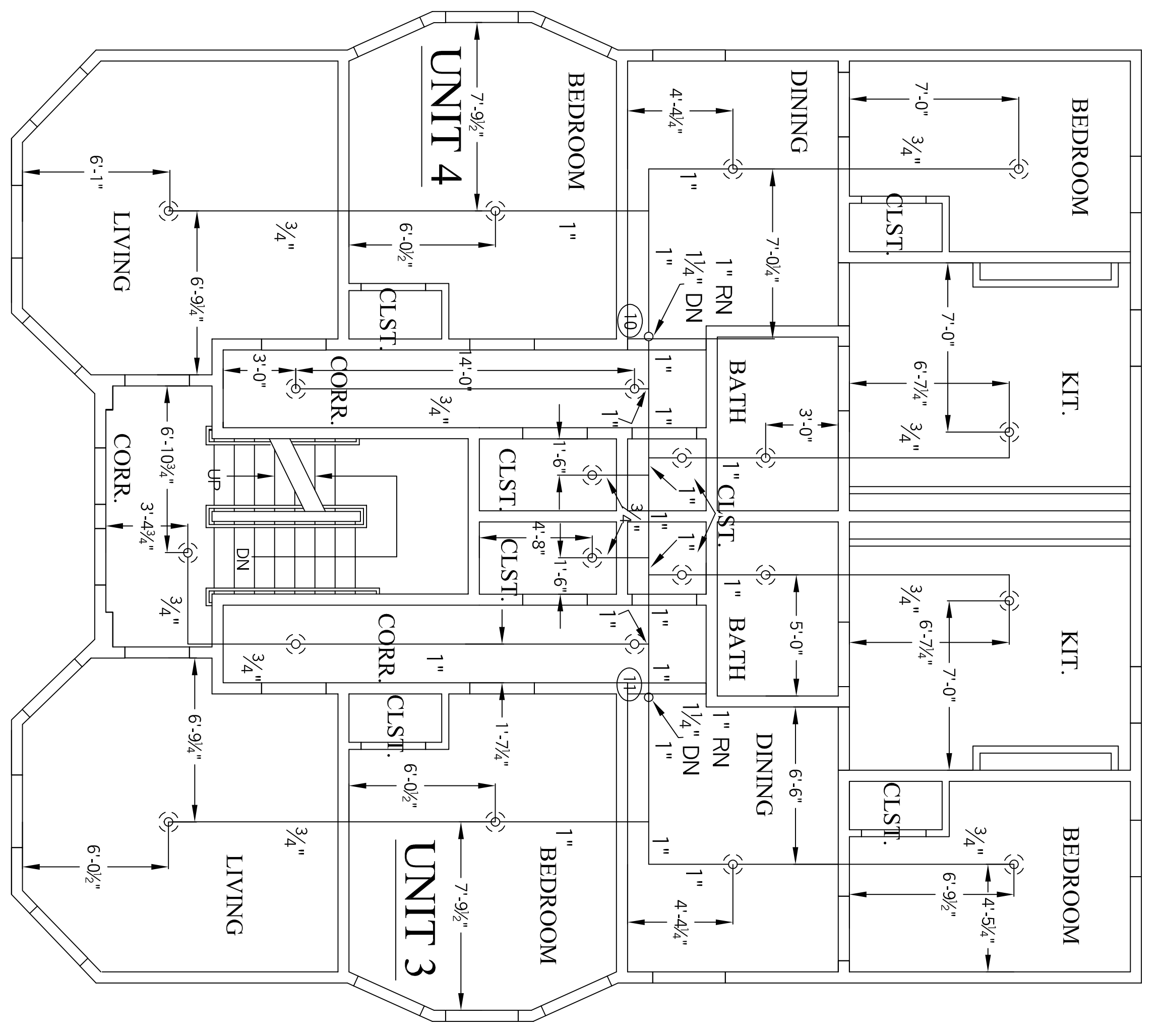
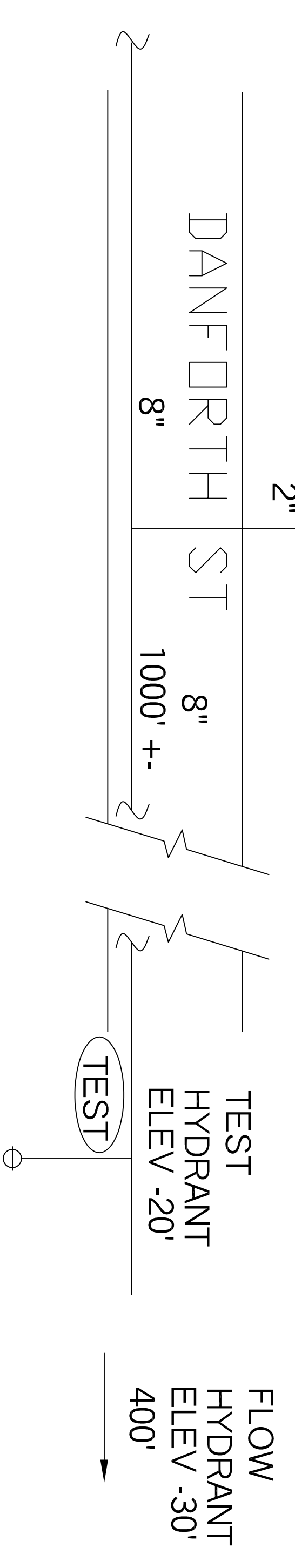
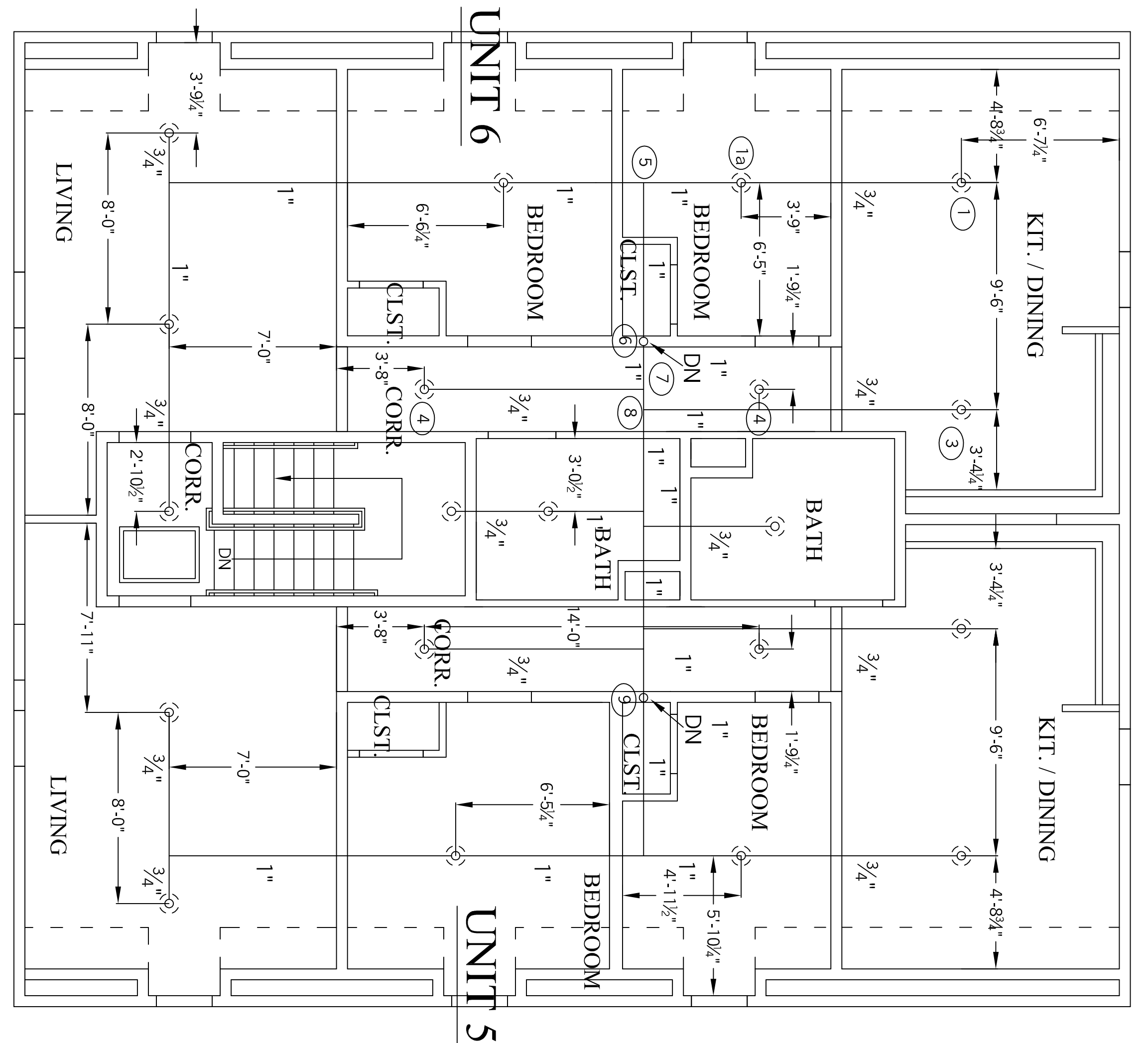


WATER SUPPLY INFO

STATIC = 70 PSI
 RESIDUAL = 62 PSI
 FLOW = 691 GPM
 DATE = 10-31-13
 TIME = 12:35 PM
 LOCATION = DANFORTH ST.
 SOURCE = PORTLAND WATER DIST.



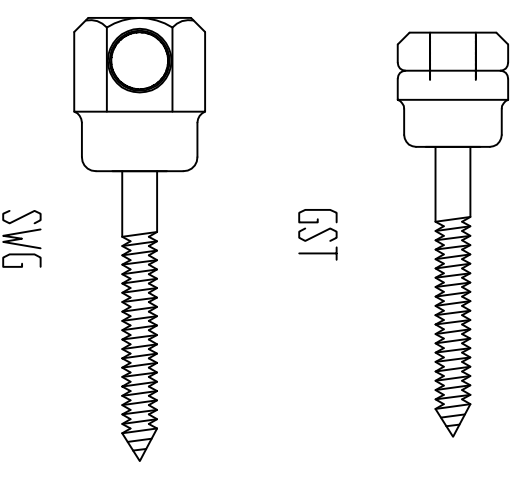
2 SECOND FLOOR REFLECTED CEILING PLAN
 1/4" = 1'-0"



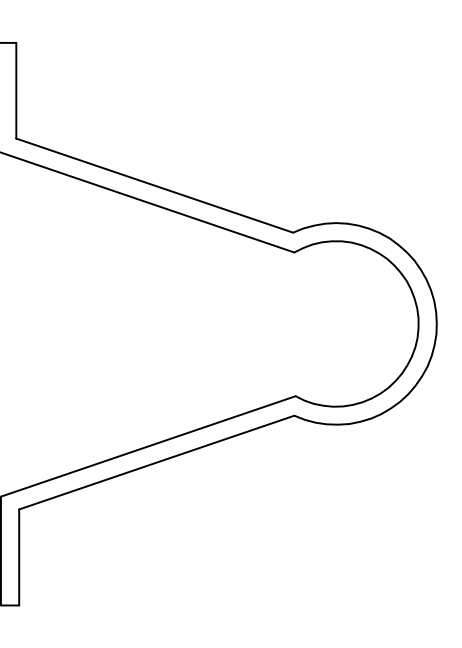
3 THIRD FLOOR REFLECTED CEILING PLAN
 1/4" = 1'-0"

HYDRAULIC DATA:
 BLD 2 FOURTH FLOOR
 BASIS OF DESIGN NFPA 13R
 DENSITY AREA OF COVERAGE
 .10 4 SPRINKLERS
 TOTAL THREAD TEMP 155
 SPRINKLERS 4 1/2"
 SYSTEM DEMAND AT PUMP OUTLET:
 PRESSURE FLOW HOSE 000
 63,943 58,389
 SAFETY MARGIN: 5.15
 OCCUPANCY: RESIDENTIAL

- LEGEND**
- ▷ 155F OR 1/2" WHITE SIDEWALL
 - 155F 1/2 BRASS PENDENT
 - 155F 1/2 BRASS UPRIGHT
 - ⊗ 155F OR 1/2" WHITE RECESSED PENDENT
 - 200F OR 1/2" BRASS UPRIGHT
 - HANGER
 - RISE OR DROP NIPLLE
 - VICTAULIC COUPLING



SAMMY SUPER SCREWS WITH METAL BAND HANGERS TO HANG STEEL PIPING



ANVIL STAND OFF HANGER TO HANG ALL CPVC PIPING

GENERAL NOTES

ALL DIMENSIONS ARE CENTER TO CENTER U/N
 ALL THREADED PIPE TO BE SCH. 40 BLACK STEEL
 ALL SREWED FITTINGS TO BE STD. WT. C.I. BLACK U/N
 ALL GROOVED PIPE TO BE SCH 10 BLACK STEEL
 ALL OTHER PIPING TO BE CPVC PLASTIC
 ALL OTHER FITTINGS TO BE CPVC PLASTIC

RESIDENTIAL FIRE PROTECTION, LLC

PHONE: (607) 946-3473 FAX: (607) 946-3474

64 DANFORTH HILL ROAD GREENE, MAINE 04236

SYSTEM DESIGN

A WET PIPE SYSTEM OF AUTOMATIC SPRINKLERS TO BE DESIGNED AND INSTALLED PER NFPA 13R
 ALL SPRINKLERS TO BE BASED ON LIGHT HAZARD

SHALOW HOUSE
 214 DANFORTH ST
 PORTLAND, MAINE

REVISION NUMBER	DATE	SUBMITTED BY	DATE	APPROVED BY	TITLE
1	10-31-13	JAL	10-31-13	JAL	214 DANFORTH ST PORTLAND, MAINE
2	11-14-13	JAL	11-14-13	JAL	214 DANFORTH ST PORTLAND, MAINE

STANLEY J. CAMIC
 NICEET III #478665

SHEET NO. 2 OF 2

DATE: 10-31-13
 TIME: 12:35 PM
 LOCATION: DANFORTH ST.
 SOURCE: PORTLAND WATER DIST.