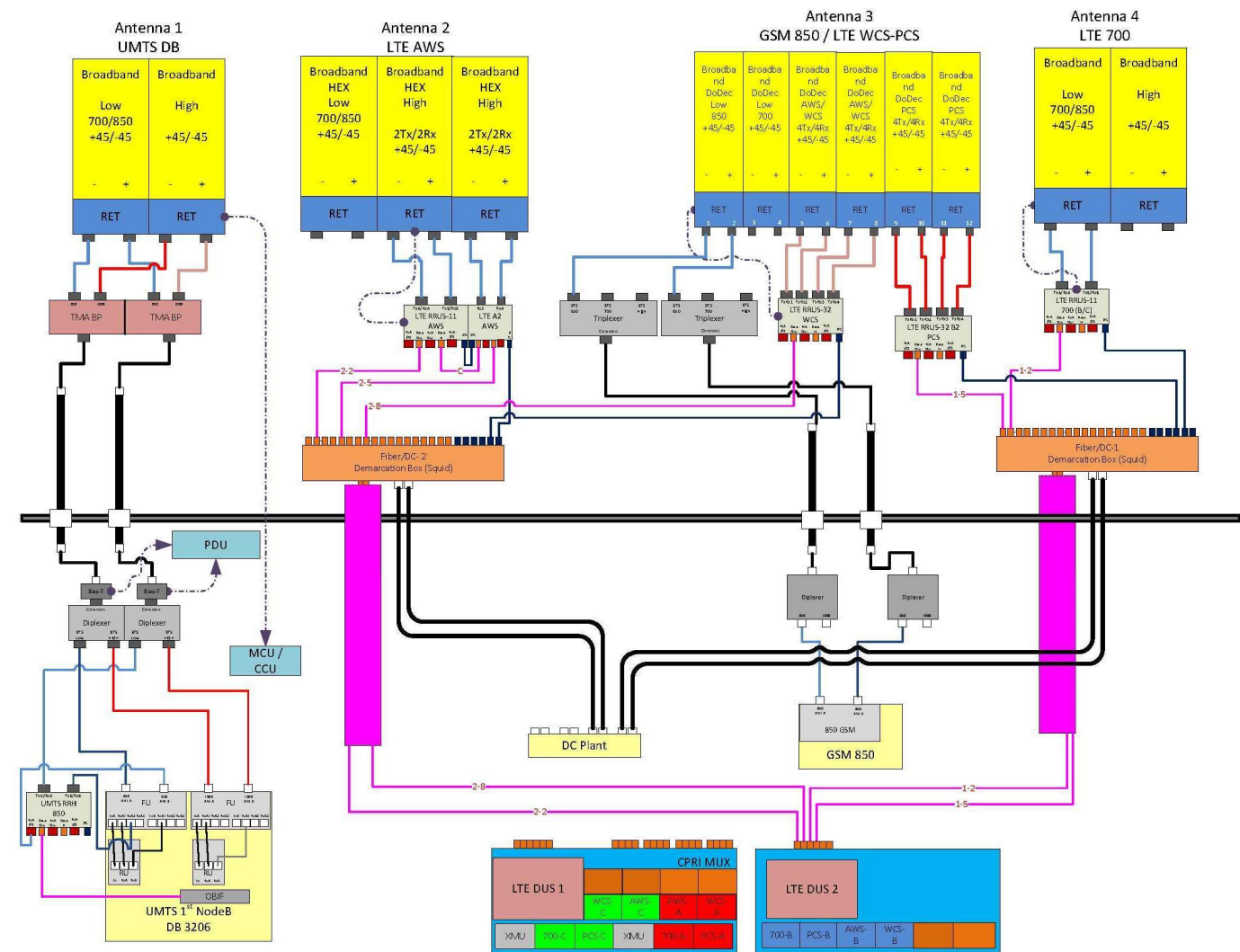


**RF PLUMBING DIAGRAM
(ALPHA & GAMMA SECTORS)**

SCALE: N.T.S

1
RF-1



**RF PLUMBING DIAGRAM
(BETA SECTOR)**

SCALE: N.T.S

2
RF-1

NOTE:
1. CONTRACTOR TO CONFIRM ALL PARTS.
2. INSTALL ALL EQUIPMENT TO MANUFACTURER'S RECOMMENDATIONS

NOTE:
REFER TO THE FINAL RF DATA SHEET FOR FINAL ANTENNA SETTINGS.



1600 OSGOOD STREET
BUILDING 20 NORTH, SUITE 309D
N. ANDOVER, MA 01845
TEL: (978) 557-5553
FAX: (978) 336-5586



1997 ANNAPOLIS EXCHANGE PKWY
SUITE 200
ANNAPOLIS, MD 21401

SITE NUMBER: MEL05048
SITE NAME: PORTLAND HARBOR TERRACE

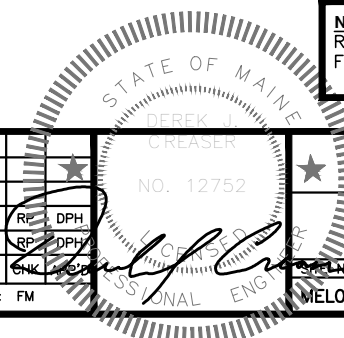
284 DANFORTH STREET
PORTLAND, ME 04102
CUMBERLAND COUNTY



550 COCHITUATE ROAD
FRAMINGHAM, MA 01701

NO.	DATE	REVISIONS	BY
1	05/13/16	ISSUED FOR CONSTRUCTION	FM
0	02/18/16	ISSUED FOR REVIEW	FM

SCALE: AS SHOWN DESIGNED BY: RP DRAWN BY: FM



AT&T

RF PLUMBING DIAGRAM

APPROVED SITE PLAN

PROJECT NUMBER: MEL05048

DATE OF APPROVAL: 09/29/2016

PLANNER: Barbara Barhydt

PROJECT NO.: #2016-227