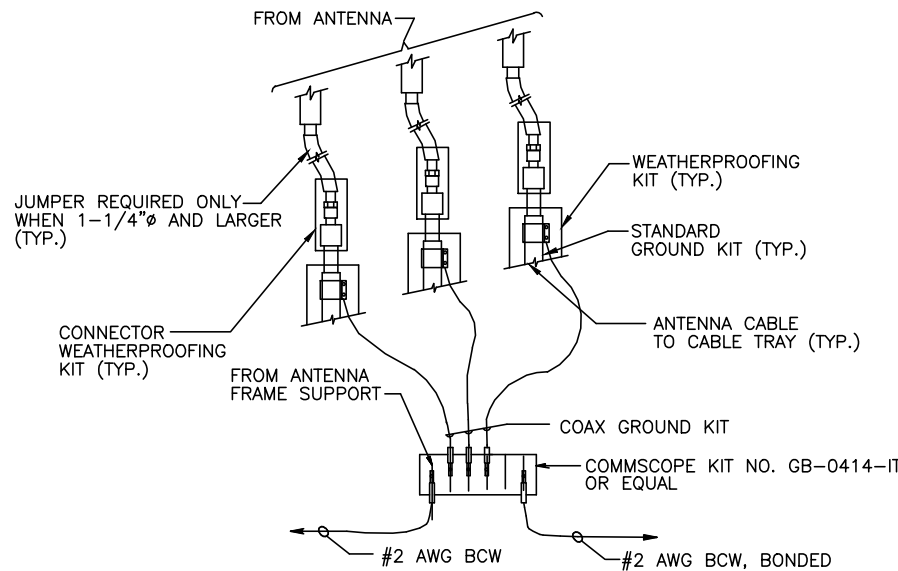
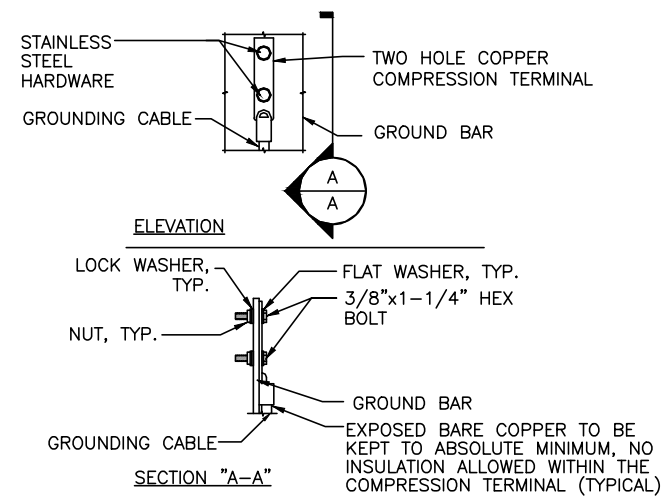


**GROUNDING RISER DIAGRAM** 1  
SCALE: N.T.S. G-1



**NOTE:**  
1. DO NOT INSTALL CABLE GROUND KIT AT A BEND AND ALWAYS DIRECT GROUND WIRE DOWN TO CIGBE.

**GROUND WIRE TO GROUND BAR CONNECTION DETAIL** 2  
SCALE: N.T.S. G-1



**NOTE:**  
1. "DOUBLING UP" OR "STACKING" OF CONNECTION IS NOT PERMITTED.  
2. OXIDE INHIBITING COMPOUND TO BE USED AT ALL LOCATION.  
3. CADWELD DOWNLEADS FROM UPPER EGB, LOWER EGB, AND MGB

**TYPICAL GROUND BAR CONNECTION DETAIL** 3  
SCALE: N.T.S. G-1

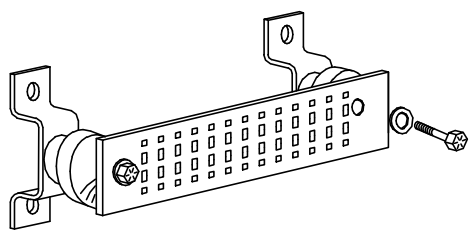
EACH GROUND CONDUCTOR TERMINATING ON ANY GROUND BAR SHALL HAVE AN IDENTIFICATION TAG ATTACHED AT EACH END THAT WILL IDENTIFY ITS ORIGIN AND DESTINATION.

**SECTION "P" - SURGE PRODUCERS**

- CABLE ENTRY PORTS (HATCH PLATES) (#2)
- GENERATOR FRAMEWORK (IF AVAILABLE) (#2)
- TELCO GROUND BAR
- COMMERCIAL POWER COMMON NEUTRAL/GROUND BOND (#2)
- +24V POWER SUPPLY RETURN BAR (#2)
- 48V POWER SUPPLY RETURN BAR (#2)
- RECTIFIER FRAMES.

**SECTION "A" - SURGE ABSORBERS**

- INTERIOR GROUND RING (#2)
- EXTERNAL EARTH GROUND FIELD (BURIED GROUND RING) (#2)
- METALLIC COLD WATER PIPE (IF AVAILABLE) (#2)
- BUILDING STEEL (IF AVAILABLE) (#2)



**GROUND BAR - DETAIL** 4  
SCALE: N.T.S. G-1

**Hudson Design Group**  
1600 OSGOOD STREET  
BUILDING 20 NORTH, SUITE 309D  
N. ANDOVER, MA 01845  
TEL: (978) 557-5553  
FAX: (978) 336-5586

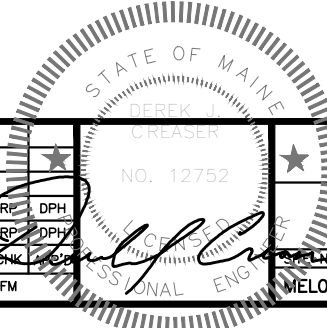
**smartlink**  
1997 ANNAPOLIS EXCHANGE PKWY  
SUITE 200  
ANNAPOLIS, MD 21401

**SITE NUMBER: MEL05048**  
**SITE NAME: PORTLAND HARBOR TERRACE**  
284 DANFORTH STREET  
PORTLAND, ME 04102  
CUMBERLAND COUNTY

**at&t**  
550 COCHITUATE ROAD  
FRAMINGHAM, MA 01701

NO.	DATE	REVISIONS	BY
1	05/13/16	ISSUED FOR CONSTRUCTION	FM
0	02/18/16	ISSUED FOR REVIEW	FM

SCALE: AS SHOWN  
DESIGNED BY: RP  
DRAWN BY: FM



**AT&T**  
GROUNDING DETAILS  
**APPROVED SITE PLAN**  
PLANNER: **Barbara Barhydt**  
PROJECT NO.: **#2016-227**  
DATE OF APPROVAL: **9/29/2016**  
REVISION NUMBER: **G-1**  
PROJECT NUMBER: **MEL05048**