

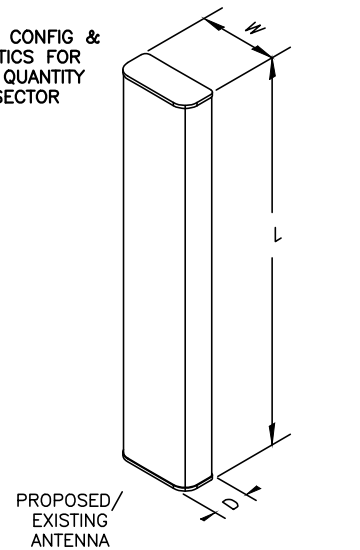
EXISTING & PROPOSED ANTENNA SCHEDULE							
SECTOR	TECHNOLOGY	EXISTING/PROPOSED	RAD CENTER	AZIMUTH	MAKE	MODEL#	SIZE (INCHES) (L x W x D)
ALPHA	UMTS	EXISTING	86'-7"±	30°	POWERWAVE	7770	55.0x11.0x5.0
	LTE	EXISTING	86'-7"±	30°	CCI	HPA-65R-BUU-H8	92.4x14.8x7.4
	LTE	EXISTING	86'-7"±	30°	ANDREW	SBNH-1D6565C	96.4x11.9x7.1
	LTE 4C	PROPOSED	86'-7"±	30°	CCI	TPA-65R-LCUUUU-H8	96.0x14.4x8.6
BETA	UMTS	EXISTING	93'-3"±	150°	POWERWAVE	7770	55.0x11.0x5.0
	LTE	EXISTING	93'-3"±	150°	CCI	HPA-65R-BUU-H8	92.4x14.8x7.4
	LTE 4C	PROPOSED	93'-3"±	150°	CCI	TPA-65R-LCUUUU-H8	96.0x14.4x8.6
	LTE	EXISTING	93'-3"±	150°	POWERWAVE	P65-17-XLH-RR	96.0x12.0x6.0
GAMMA	UMTS	EXISTING	97'-3"±	270°	POWERWAVE	7770	55.0x11.0x5.0
	LTE	EXISTING	97'-3"±	270°	CCI	HPA-65R-BUU-H8	92.4x14.8x7.4
	LTE	EXISTING	97'-3"±	270°	ANDREW	SBNH-1D6565C	96.4x11.9x7.1
	LTE 4C	PROPOSED	97'-3"±	270°	CCI	TPA-65R-LCUUUU-H8	96.0x14.4x8.6

EXISTING & PROPOSED RRU SCHEDULE				
SECTOR	EXISTING/PROPOSED	MAKE	MODEL#	SIZE (INCHES) (L x W x D)
ALPHA	EXISTING	ERICSSON	RRUS-11	19.7x17.0x7.2
	EXISTING	ERICSSON	RRUS-A2	16.4x15.2x3.4
	EXISTING	ERICSSON	RRUS-11	19.7x17.0x7.2
	PROPOSED	ERICSSON	RRUS-32	26.7x12.1x6.7
BETA	EXISTING	ERICSSON	RRUS-11	19.7x17.0x7.2
	EXISTING	ERICSSON	RRUS-A2	16.4x15.2x3.4
	PROPOSED	ERICSSON	RRUS-32	26.7x12.1x6.7
	PROPOSED	ERICSSON	RRUS-32 B2	26.7x12.1x6.7
GAMMA	EXISTING	ERICSSON	RRUS-11	19.7x17.0x7.2
	EXISTING	ERICSSON	RRUS-A2	16.4x15.2x3.4
	EXISTING	ERICSSON	RRUS-11	19.7x17.0x7.2
	PROPOSED	ERICSSON	RRUS-32	26.7x12.1x6.7

NOTE:
REFER TO THE FINAL RF DATA SHEET FOR FINAL ANTENNA SETTINGS.

NOTE:
REFER TO STRUCTURAL ANALYSIS BY: HUDSON DESIGN GROUP, LLC, DATED: APRIL 12, 2016, FOR THE CAPACITY OF THE EXISTING STRUCTURES TO SUPPORT THE PROPOSED EQUIPMENT.

NOTES:
1. REFER TO RF CONFIG & SECTOR SCHEMATICS FOR MODEL, TYPE & QUANTITY REQUIRED PER SECTOR

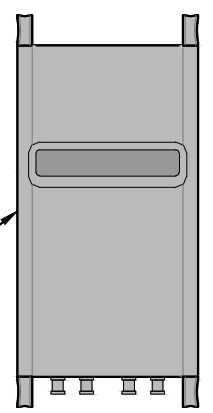


PROPOSED ANTENNA DETAIL 1
SCALE: N.T.S. A-5

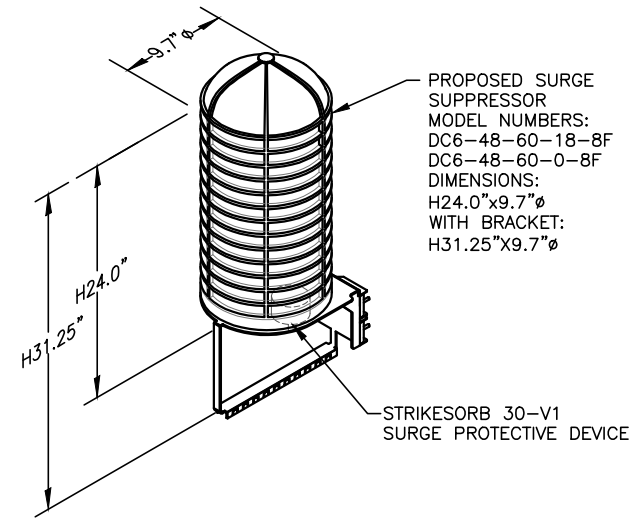
NOTE:
SEE RFDS FOR RRH FREQUENCY AND MODEL NUMBER

PROPOSED RRH REFER TO THE FINAL RFDS AND CHART FOR QUANTITY, MODEL AND DIMENSIONS

NOTE:
MOUNT PER MANUFACTURER'S SPECIFICATIONS.



PROPOSED RRH DETAIL 2
SCALE: N.T.S. A-5

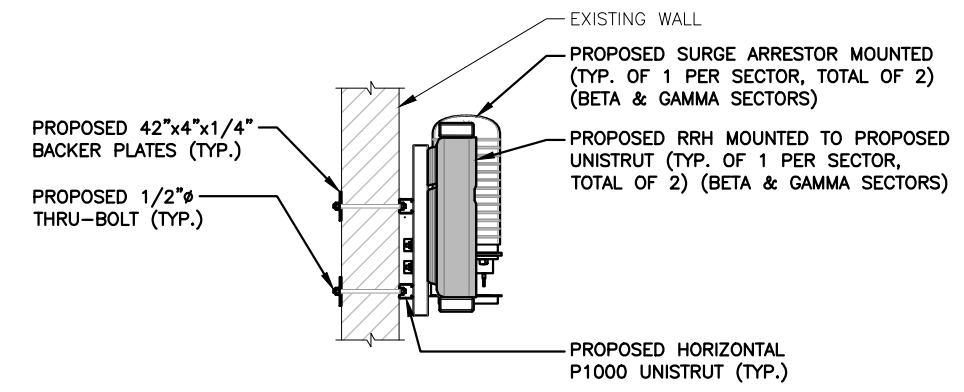


PROPOSED SURGE SUPPRESSOR
MODEL NUMBERS:
DC6-48-60-18-8F
DC6-48-60-0-8F
DIMENSIONS:
H24.0"x9.7"Ø
WITH BRACKET:
H31.25"x9.7"Ø

STRIKESORB 30-V1 SURGE PROTECTIVE DEVICE

NOTE:
MOUNT PER MANUFACTURER'S SPECIFICATIONS.

DC SURGE SUPPRESSOR DETAIL 3
SCALE: N.T.S. A-5



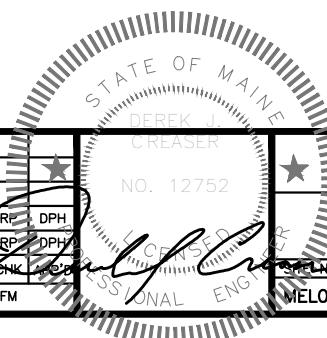
PROPOSED RRH & SURGE ARRESTOR MOUNTING DETAIL (BETA & GAMMA SECTORS) 4
SCALE: N.T.S. A-5



SITE NUMBER: MEL05048
SITE NAME: PORTLAND HARBOR TERRACE
284 DANFORTH STREET
PORTLAND, ME 04102
CUMBERLAND COUNTY



NO.	DATE	REVISIONS	BY
1	05/13/16	ISSUED FOR CONSTRUCTION	FM
0	02/18/16	ISSUED FOR REVIEW	FM



AT&T
CITY OF PORTLAND
APPROVED SITE PLAN
DETAIL S
PLANNER: Barbara Barhydt
PROJECT NO. #2016-227