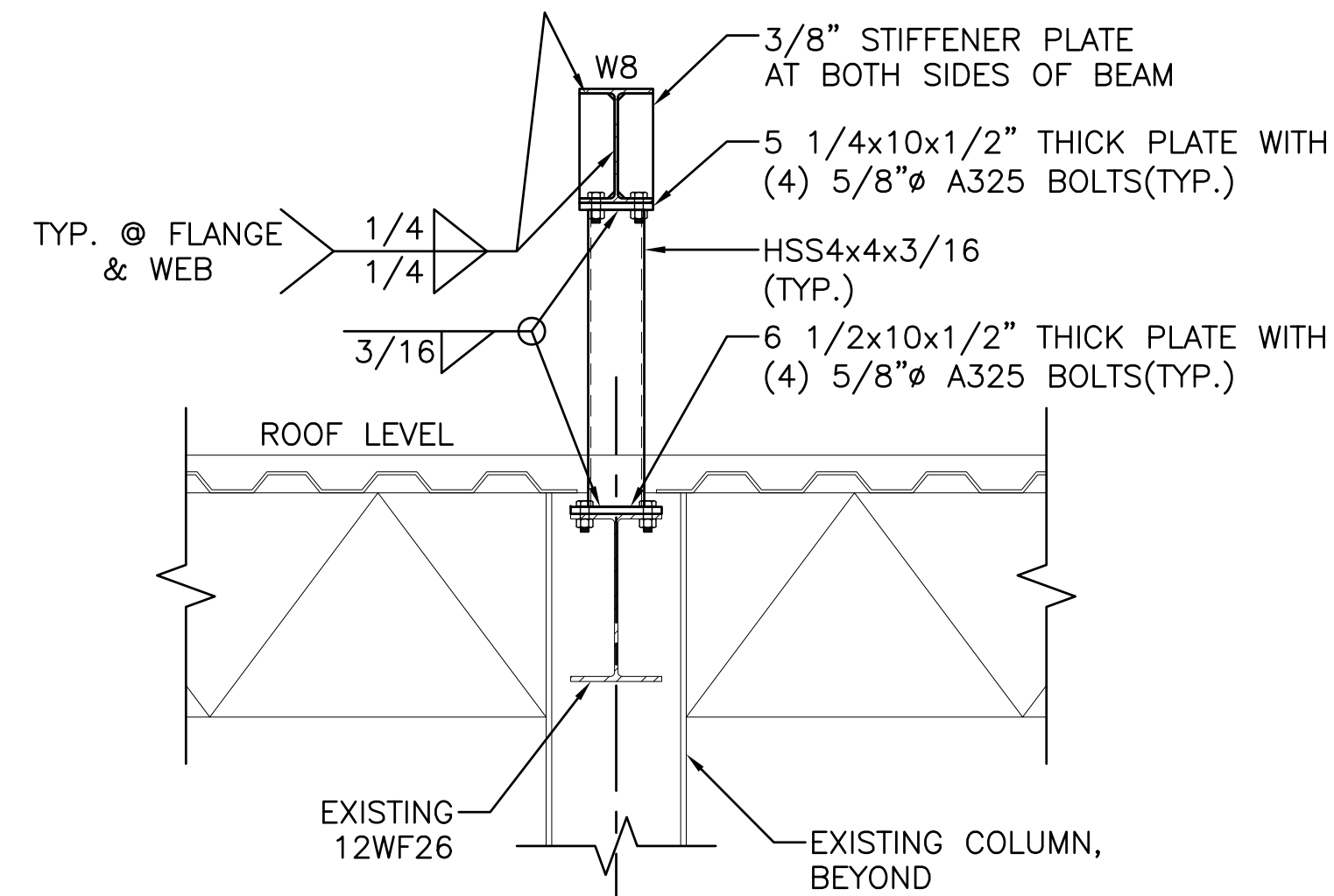
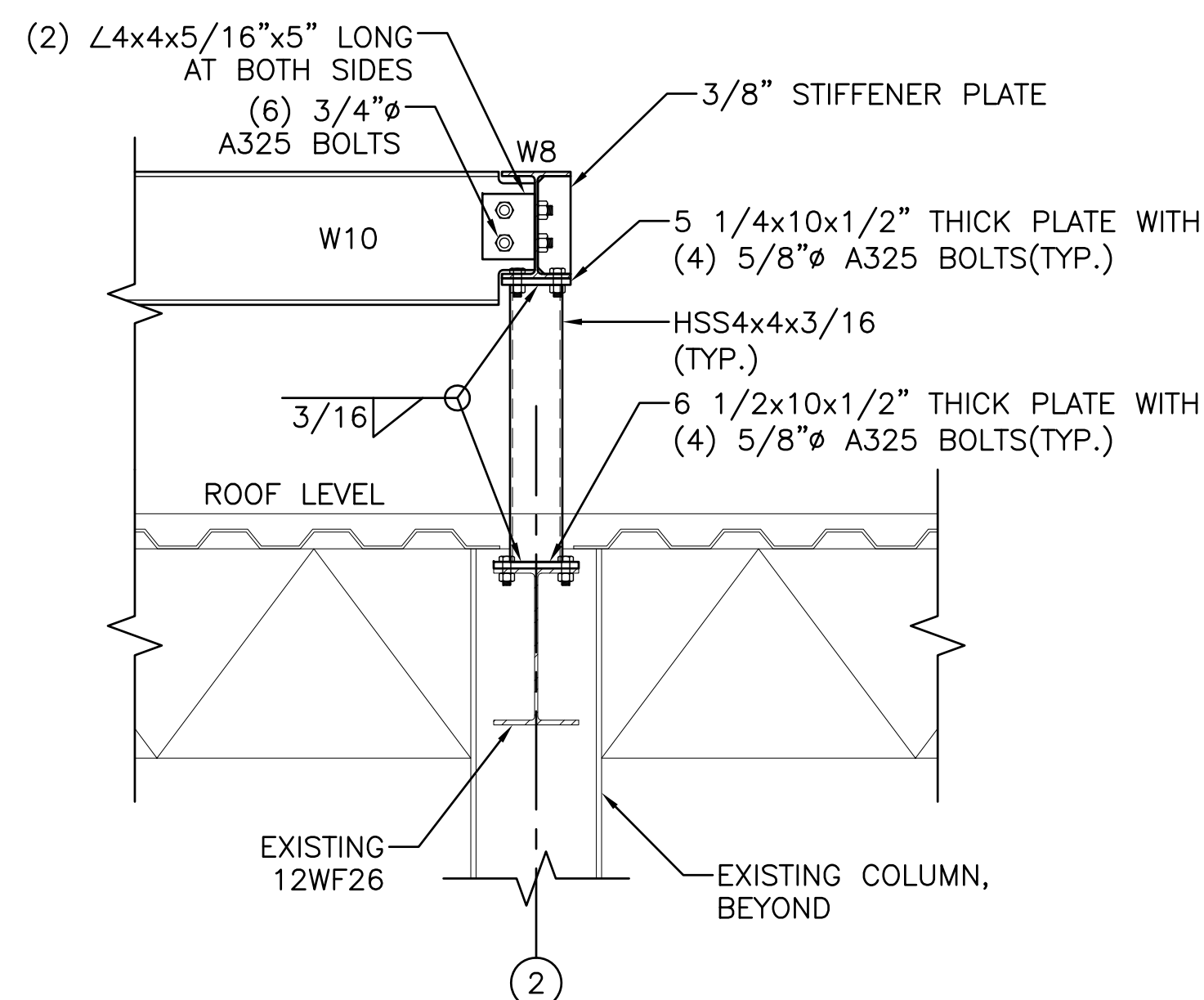


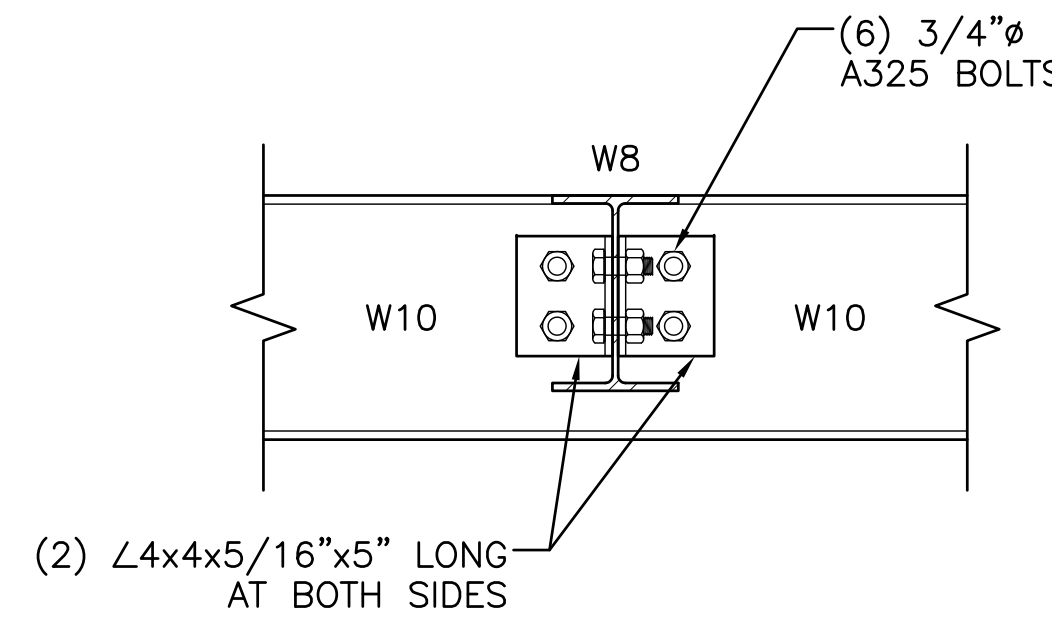
1 SECTION
SCALE: N.T.S.



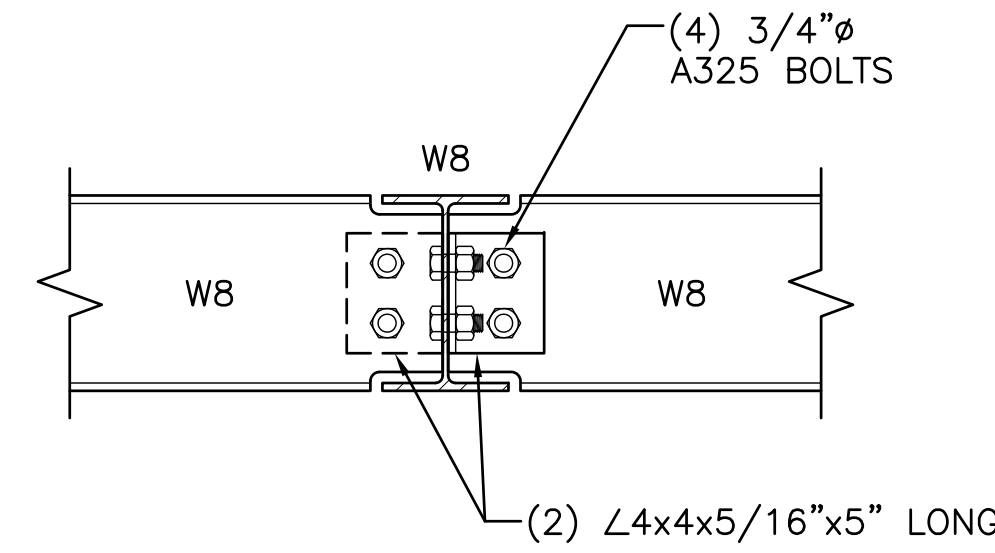
2 SECTION
SCALE: N.T.S.



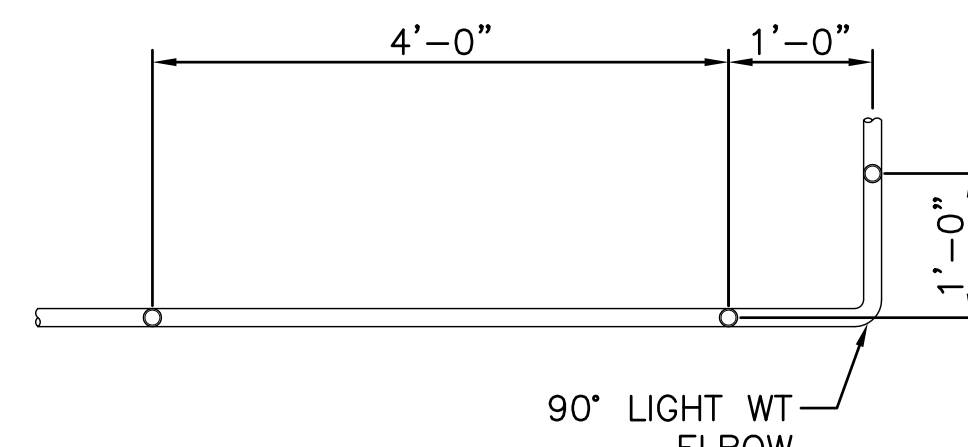
3 SECTION
SCALE: N.T.S.



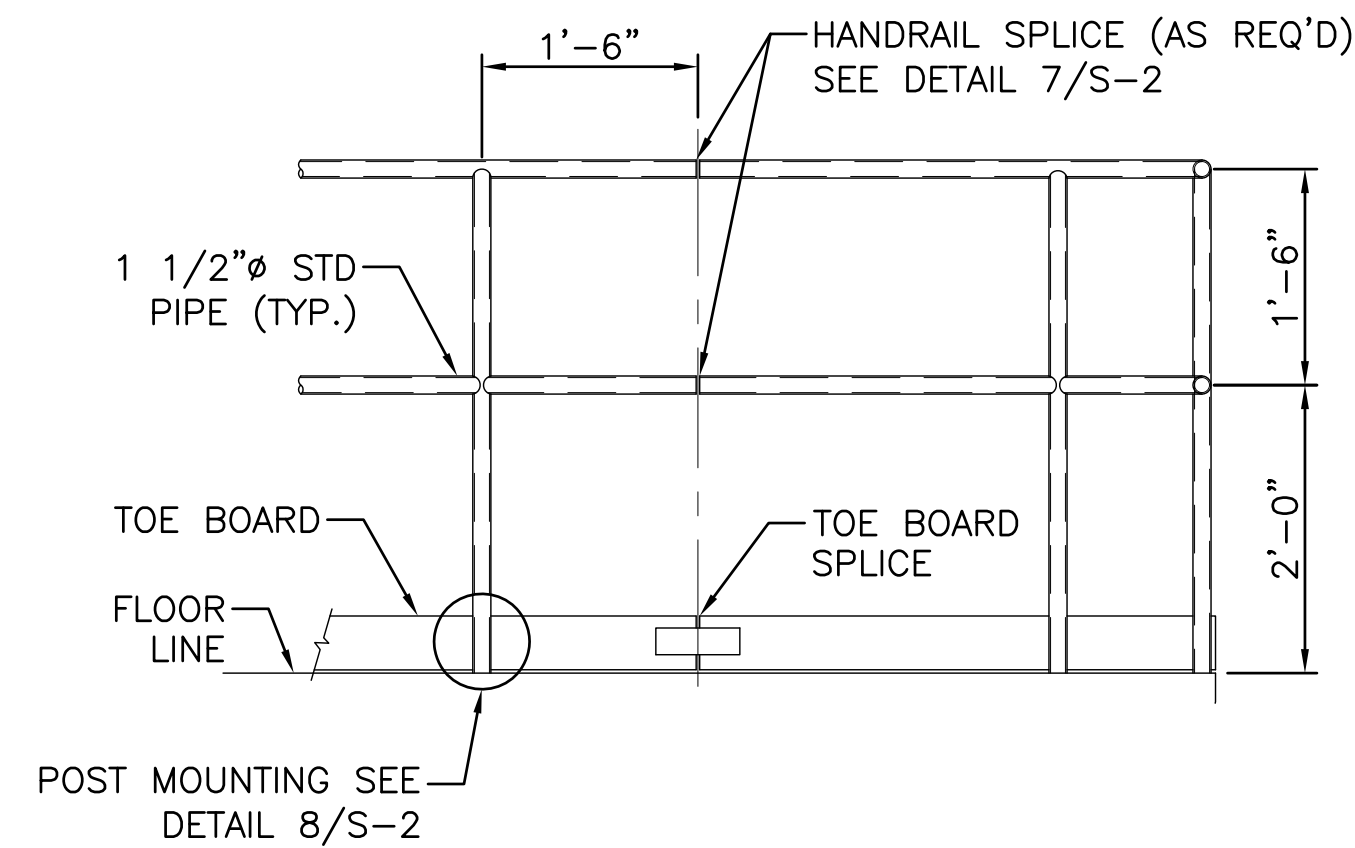
4 CONNECTION DETAIL
SCALE: N.T.S.



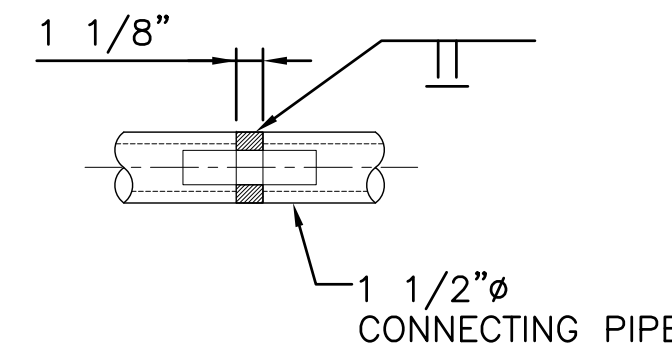
5 CONNECTION DETAIL
SCALE: N.T.S.



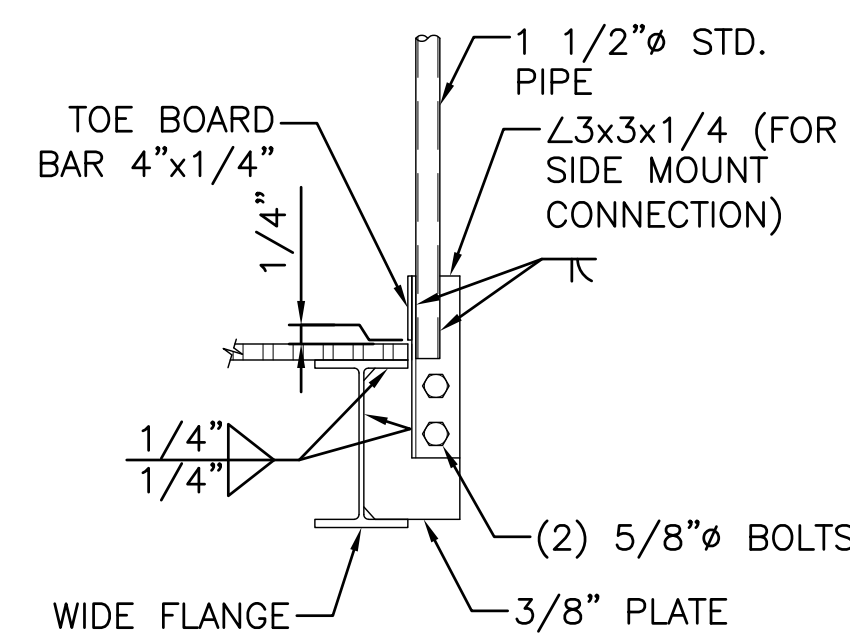
NOTE: ALL EXPOSED CORNERS MUST HAVE A 2\"/>



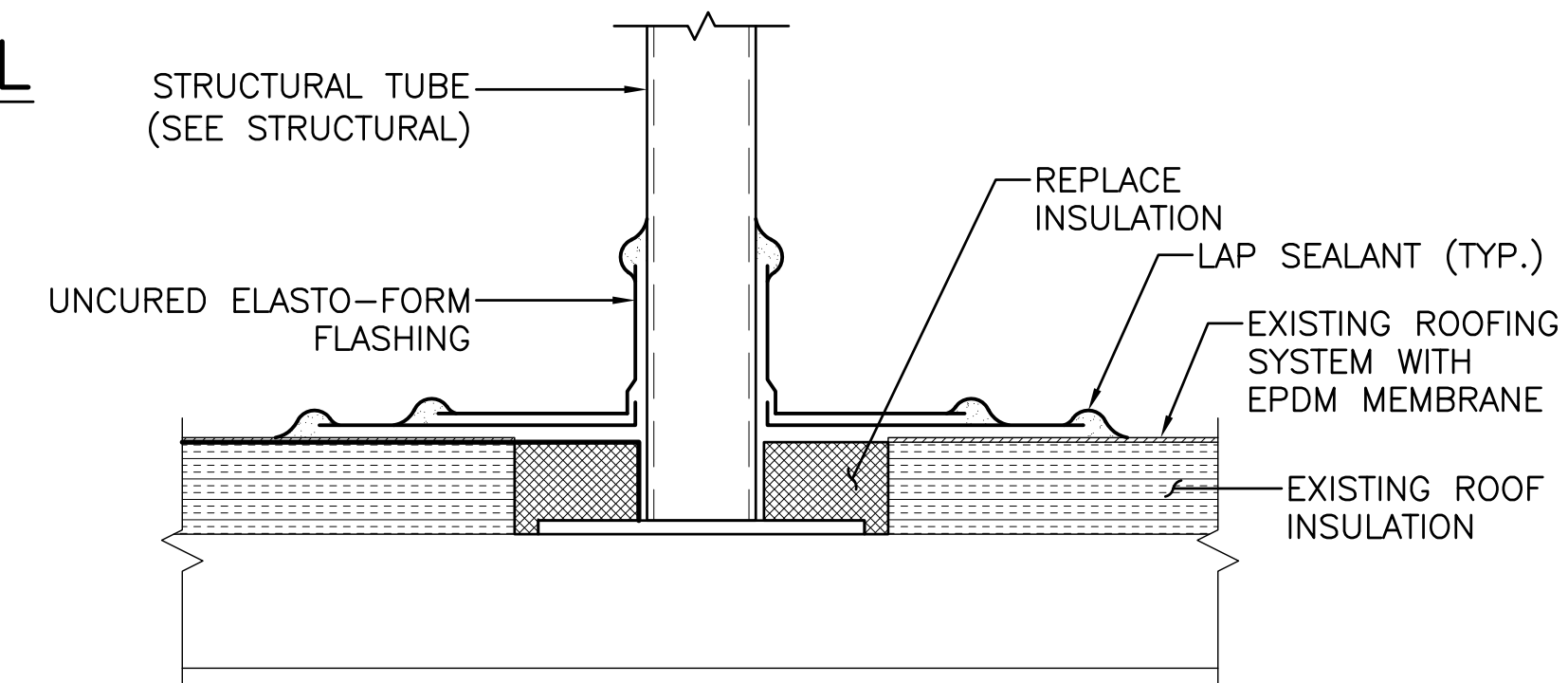
6 FIXED HANDRAIL DETAIL
SCALE: N.T.S.



7 RAILWAY SPLICE DETAIL
SCALE: N.T.S.



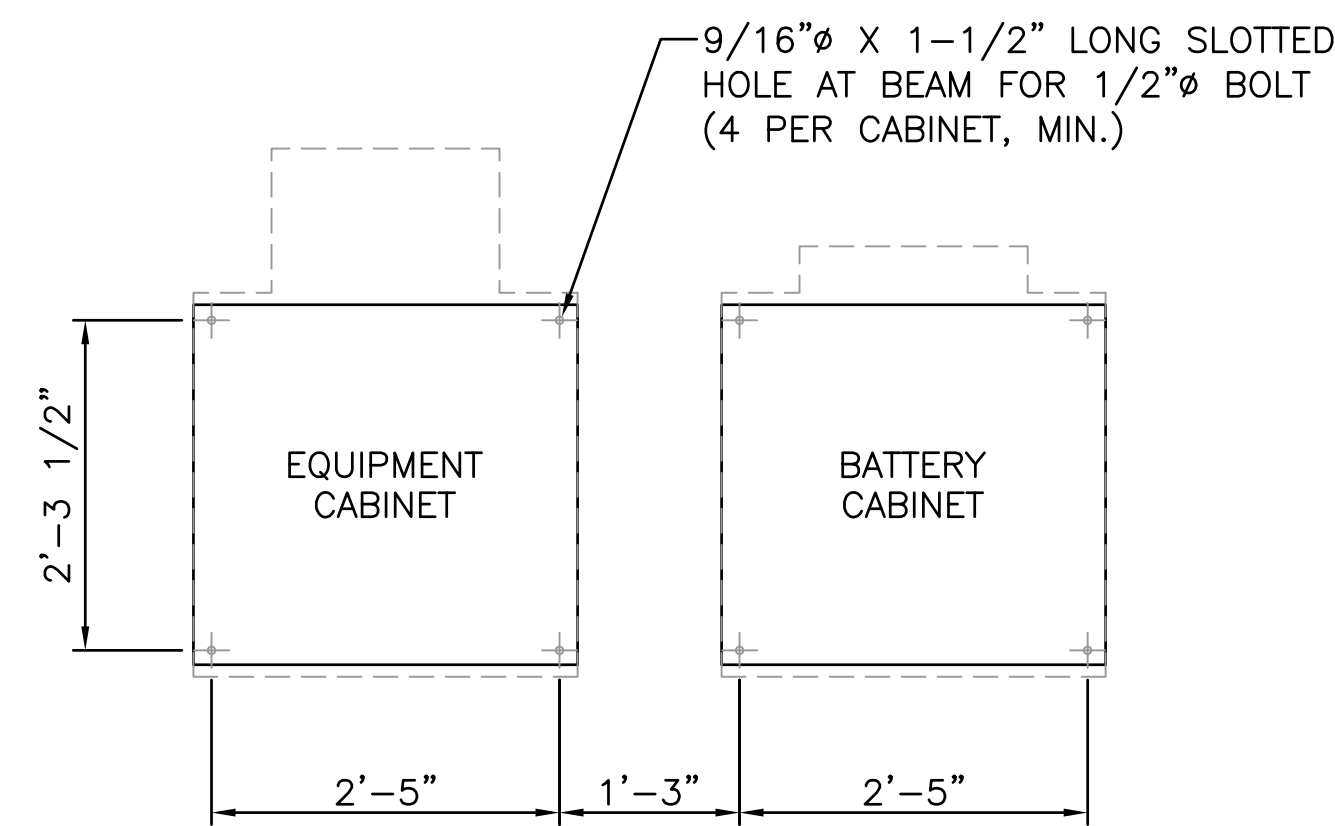
8 HANDRAIL POST CONNECTION DETAIL
SCALE: N.T.S.



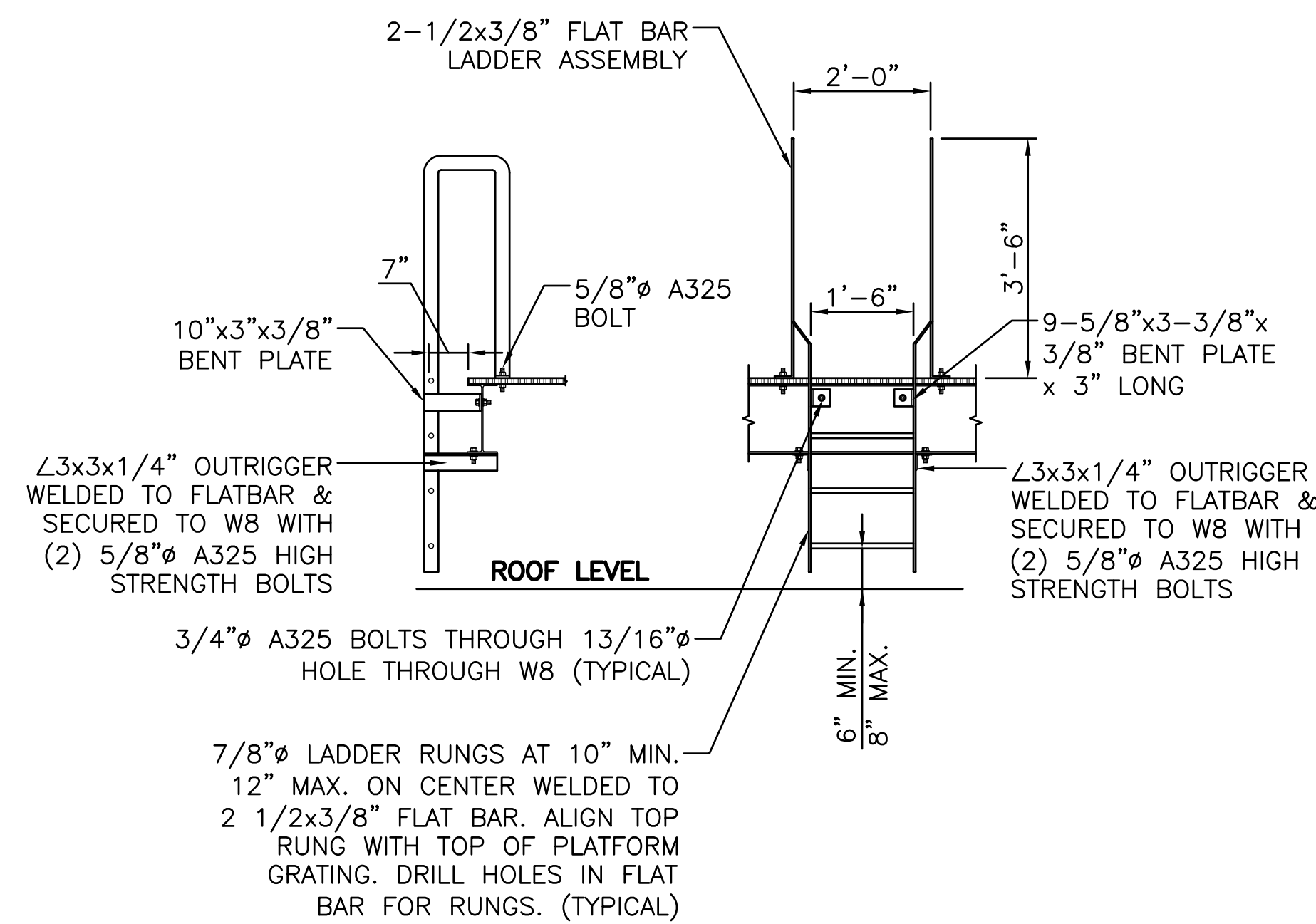
NOTES:

- FOR USE WITH SQUARE OR RECTANGULAR STRUCTURAL STEEL TUBING WITH ROUNDED CORNERS.
- UNCURED ELASTO-FORM FLASHING WRAPPED AROUND TUBE SHALL HAVE 3\"/>

11 TYPICAL FLASHING DETAIL
SCALE: N.T.S.



9 BOLT HOLE SPACING DETAIL
SCALE: N.T.S.

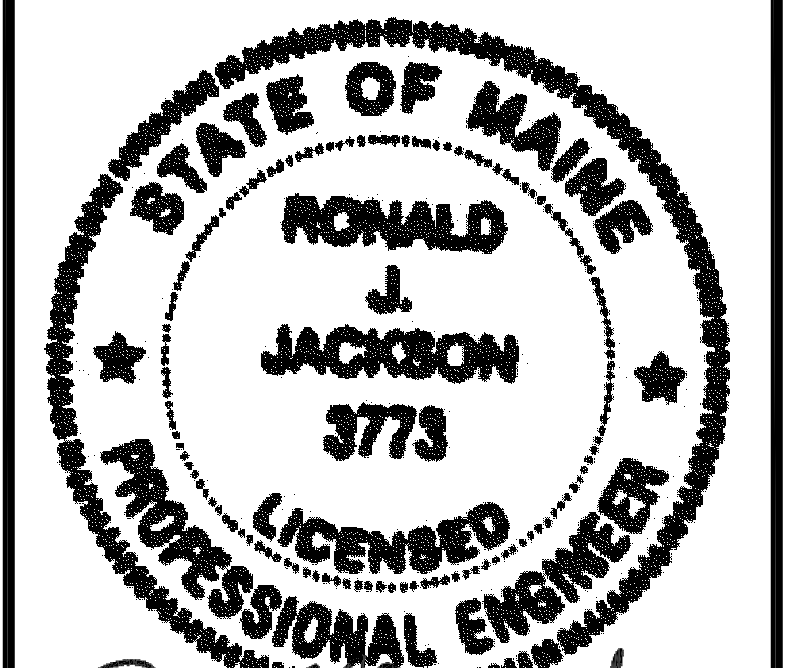


10 PLATFORM LADDER DETAIL
SCALE: N.T.S.

APPLICANT:



CELLCO PARTNERSHIP d/b/a
VERIZON WIRELESS
118 FLANDERS ROAD, 3RD FLOOR
WESTBOROUGH, MA 01581



Ronald J. Jackson

NOT FOR CONSTRUCTION
FOR BUILDING PERMIT ONLY

THIS DOCUMENT IS THE DESIGN PROPERTY AND COPYRIGHT OF NEXIUS AND FOR THE EXCLUSIVE USE BY THE TITLE CLIENT. DUPLICATION OR USE WITHOUT THE EXPRESS WRITTEN CONSENT OF THE CREATOR IS STRICTLY PROHIBITED.

DRAWING SCALES ARE INTENDED FOR 24"x36" SIZE PRINTED MEDIA ONLY. ALL OTHER PRINTED SIZES ARE DEEMED "NOT TO SCALE".

SUBMITTALS			
REV	DATE	DESCRIPTION	BY
0	04/26/17	FOR BUILDING PERMIT ONLY	JM
1	05/02/17	REVISED FOR BP	JM

SITE INFO:
SITE NAME:
PORTLAND_9_ME
LOCATION CODE:
380406
SITE ADDRESS:
**284 DANFORTH STREET
PORTLAND, ME 04102
CUMBERLAND COUNTY**

SHEET TITLE:
**EQUIPMENT PLATFORM
DETAILS**

NEXIUS PROJ. NO: VZ11509	SHEET NUMBER: S-2
CHECKED BY: RJ	
CHECKED BY DATE: 04/26/17	