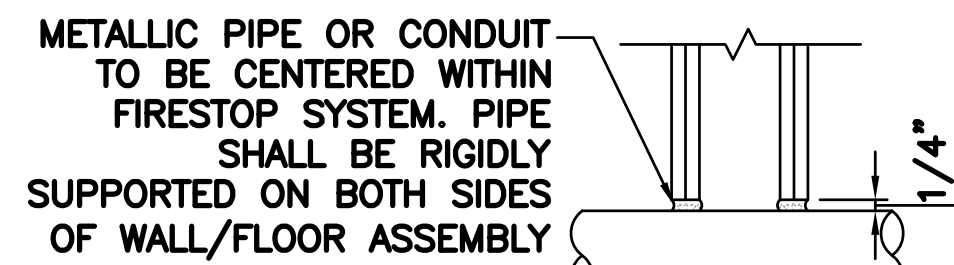


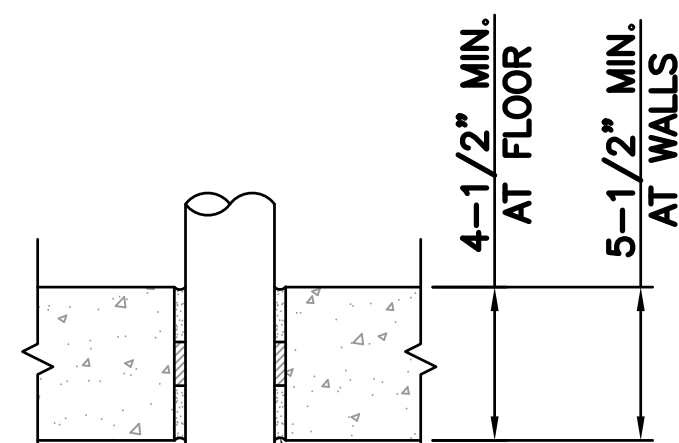
| PIPE OR CONDUIT | ANNUAL SPACE IN. | MIN. FILL MATERIAL THICKNESS | F RATING HR |
|-----------------|------------------|------------------------------|-------------|
| PIPE | 3/4" | 1-1/4" | 2 |
| CONDUIT | 3/4" | 3/4" | 1 |



FILL VOID WITH CAULK, FLUSH WITH BOTH SURFACES OF WALL (SEE TABLE) SEALANT: TREMCO INC, TREMSTOP-WBM

UL SYSTEM NUMBER: WL2038
F RATING - 1 & 2 HR.

PIPE & CONDUIT PENETRATION DETAIL IN GYPSUM WALLBOARD

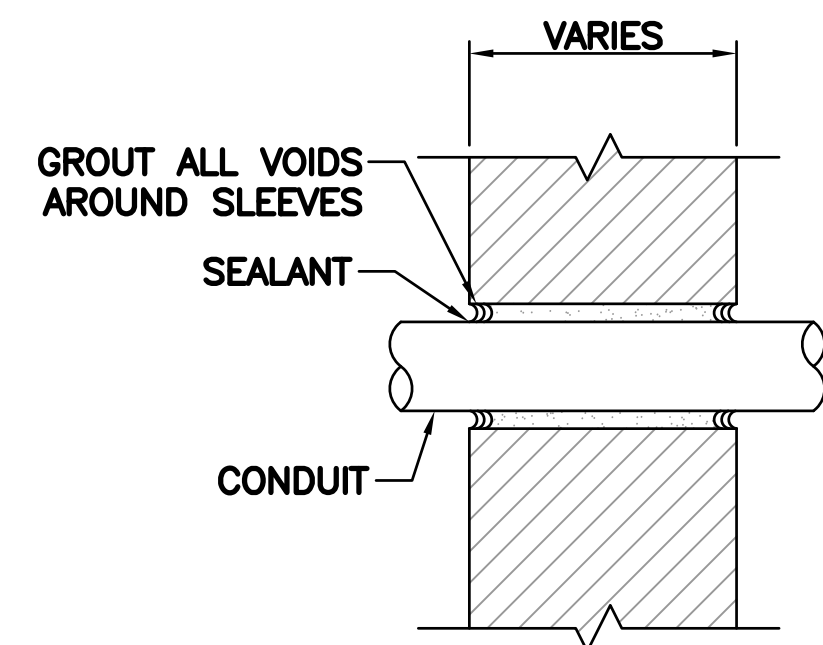


UL SYSTEM NUMBER: CAJ2057
F RATING - 2 HR.

ONE 2" SCHEDULE 40 PVC PIPE TO BE CENTERED WITHIN FIRESTOP SYSTEM. A NOM. ANNULAR SPACE OF 5/16" IS REQUIRED WITHIN THE FIRESTOP SYSTEM PIPE SHALL BE RIGIDLY SUPPORTED ON BOTH SIDES OF WALL/FLOOR ASSEMBLY

PACKING MATERIAL SHALL BE A MIN. OF 1 1/2" THICK OF MIN. 6 PCF MINERAL WOOL BATT INSULATION FIRMLY PACKED IN OPENING. FILL VOID W/ A MIN. OF 2" THICK OF SEALANT APPLIED FLUSH W/THE TOP SURFACE OF BOTH SIDES OF FLOOR/WALL SEALANT: SPECSEAL 500, 501, 502 OR 505 SEALANT BY SPECIFIED TECHNOLOGIES, INC.

PVC CONDUIT PENETRATION DETAIL IN CONCRETE OR MASONRY



UL SYSTEM NUMBER: WL2038
F RATING - 1 & 2 HR.

NOTE:
CORE HOLE 1 1/2" LARGER THAN THE DIAMETER OF THE CONDUIT. CORE DRILLS TO BE SEALED WITH ELASTOMERIC SEALANT.

PIPE & CONDUIT PENETRATION DETAIL IN NON-RATED PARTITION

1 TYPICAL CONDUIT PENETRATION DETAILS
SCALE: N.T.S.

| MAX. DIA. OF THROUGH PENETRANT | NOMINAL ANNULAR SPACE IN. | FILL MATERIAL TYPE |
|--------------------------------|---------------------------|--------------------|
| 1" | 1/2" | FSP 1100 PUTTY |
| 2" | 1" | FS 1900 SEALANT |

ONE 2" SCHEDULE 40 PVC PIPE TO BE CENTERED WITHIN FIRESTOP SYSTEM. PIPE SHALL BE RIGIDLY SUPPORTED ON BOTH SIDES OF WALL/FLOOR ASSEMBLY

SEALANT, MIN. OF 1 1/4" THICK, FLUSH WITH BOTH SURFACES OF WALL FOR 2 HR. ASSEMBLY, 5/8" THICK FOR 1 HR. ASSEMBLY. A 5/8" CROWN AROUND CONDUIT WITH A 1" MIN. LAP AROUND OPENING SEALANT: INTERNAT'L PROTECTIVE COATINGS CORP-FSP 110 PUTTY OR FS1900 SEALANT

UL SYSTEM NUMBER: WL2038
F RATING - 1 & 2 HR.

PVC CONDUIT PENETRATION DETAIL IN GYPSUM WALLBOARD

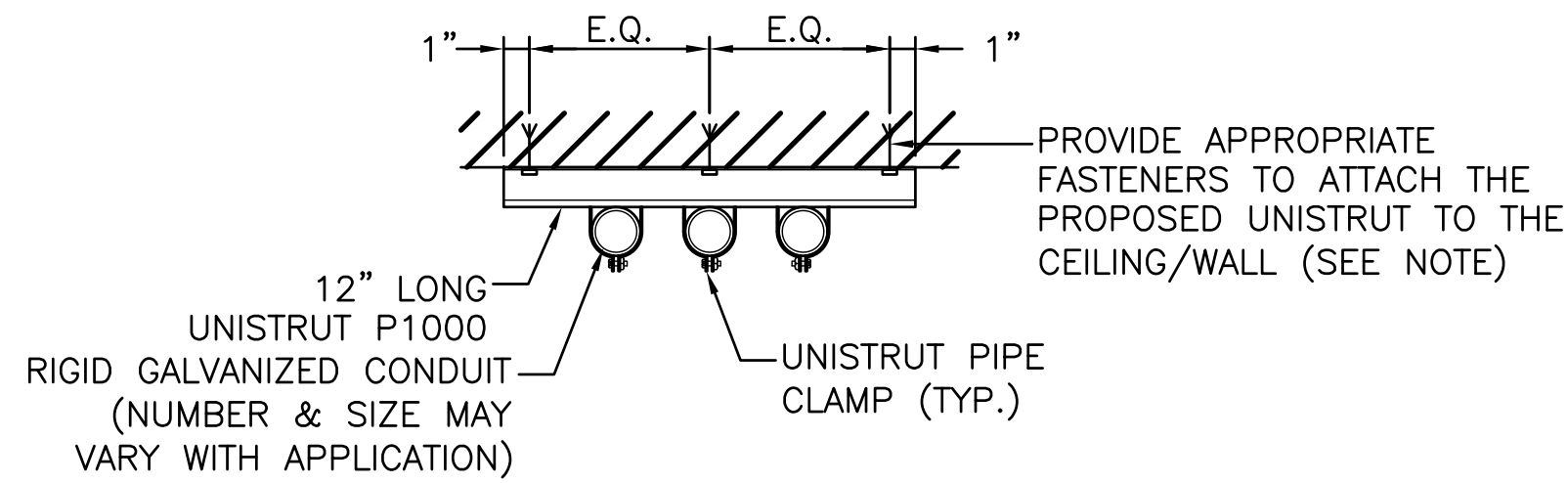
| FLOOR OR WALL | MIN. THICK. | MAX PIPE DIA. | MIN. ANNULAR SPACE | MAX. ANNULAR SPACE | MIN. FILL MAT. THICK. | MIN. FORM MAT. THICK. | F RATING |
|---------------|-------------|---------------|--------------------|--------------------|-----------------------|-----------------------|----------|
| F | 3-3/4" | 1-1/2" | 3/8" | 2-1/8" | 1" | 2-3/4" | 2 |
| F | 3-3/4" | 6" | 3/8" | 3/4" | 1" | 2-3/4" | 2 |
| F | 3-3/4" | 6" | 3/8" | 1" | 2" | 1-3/4" | 2 |
| F | 4-3/4" | 1-1/2" | 3/8" | 2-1/8" | 1" | 3-3/4" | 3 |
| F | 4-3/4" | 6" | 3/8" | 3/4" | 1" | 3-3/4" | 3 |
| F | 4-3/4" | 6" | 3/8" | 1" | 2" | 2-3/4" | 3 |
| W | 5-3/4" | 1-1/2" | 3/8" | 2-1/8" | 1" | 3-3/4" | 3 |
| W | 5-3/4" | 6" | 3/8" | 3/4" | 1" | 3-3/4" | 3 |
| W | 6-3/4" | 1-1/2" | 3/8" | 2-1/8" | 2" | 2-3/4" | 3 |
| W | 6-3/4" | 6" | 3/8" | 1" | 2" | 2-3/4" | 3 |

UL SYSTEM NUMBER: CAJ1020
F RATING - 3 HR.

ONE METALLIC PIPE, CONDUIT OR TUBING TO BE INSTALLED EITHER CONCENTRICALLY OR ECCENTRICALLY WITHIN THE FIRESTOP SYSTEM. PIPE, CONDUIT OR TUBING TO BE RIGIDLY SUPPORTED ON BOTH SIDES OF FLOOR OR WALL. FORMING MATERIAL SHALL BE A MIN. OF 1 1/2" THICK OF MIN. 4.0 PCF MINERAL WOOL BATT INSULATION FIRMLY PACKED IN OPENING, USG INTERIORS-TYPE SAF. THICKNESS OF SEALANT APPLIED FLUSH W/THE TOP SURFACE OF BOTH SIDES OF FLOOR/WALL (SEE TABLE), USG INTERIORS-TYPE SS

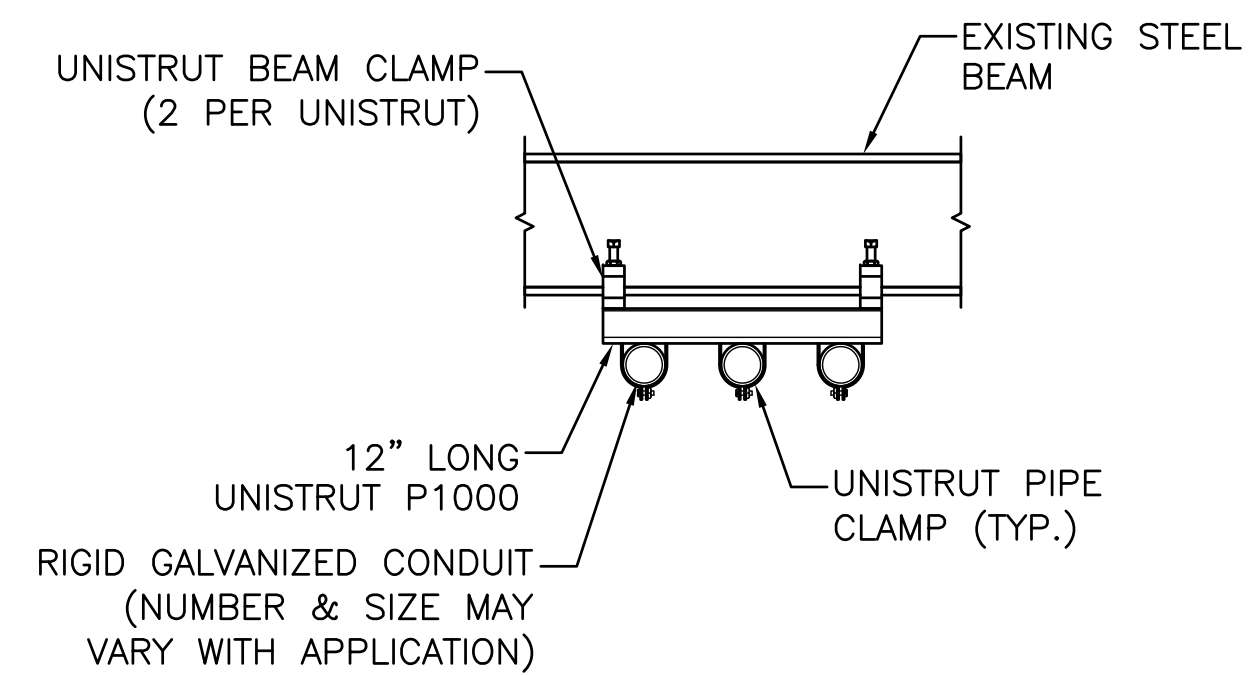
PIPE & CONDUIT PENETRATION DETAIL IN CONCRETE OR MASONRY

NOTE:
1. CONTRACTOR TO X-RAY PRIOR TO DRILLING OR CORING TO LOCATE EXISTING REBAR. DO NOT CUT REBAR.

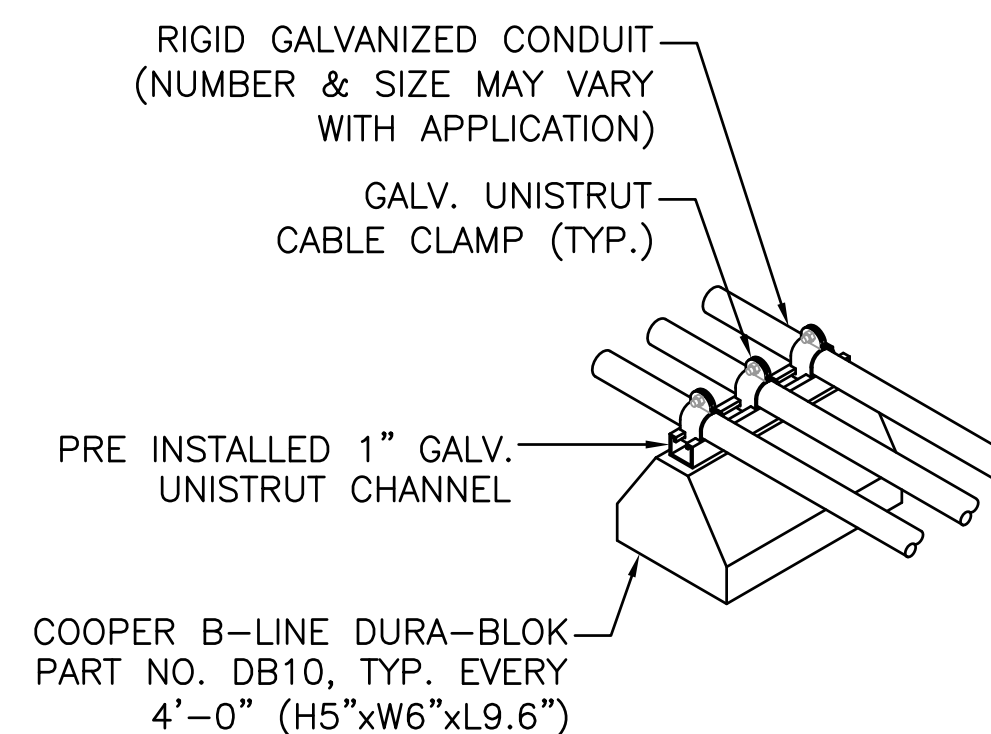


NOTE:
1. MASONRY - 3/8" SLEEVE ANCHORS
2. WOOD - 3/8" LAG BOLTS
3. DRYWALL - PROVIDE WOOD BLOCKING & USE WOOD LAG BOLTS

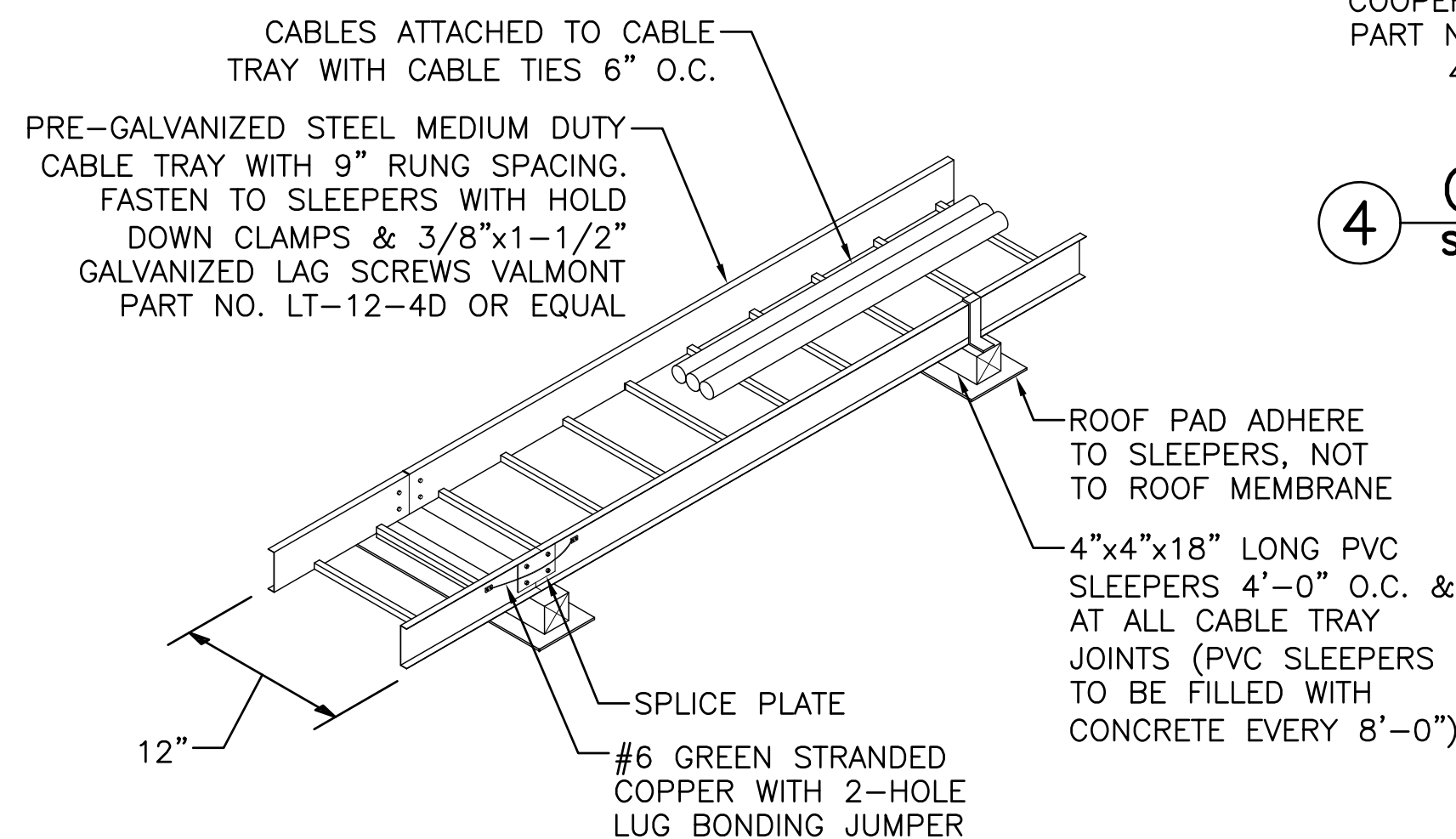
2 CONDUIT SUPPORT DETAIL
SCALE: N.T.S.



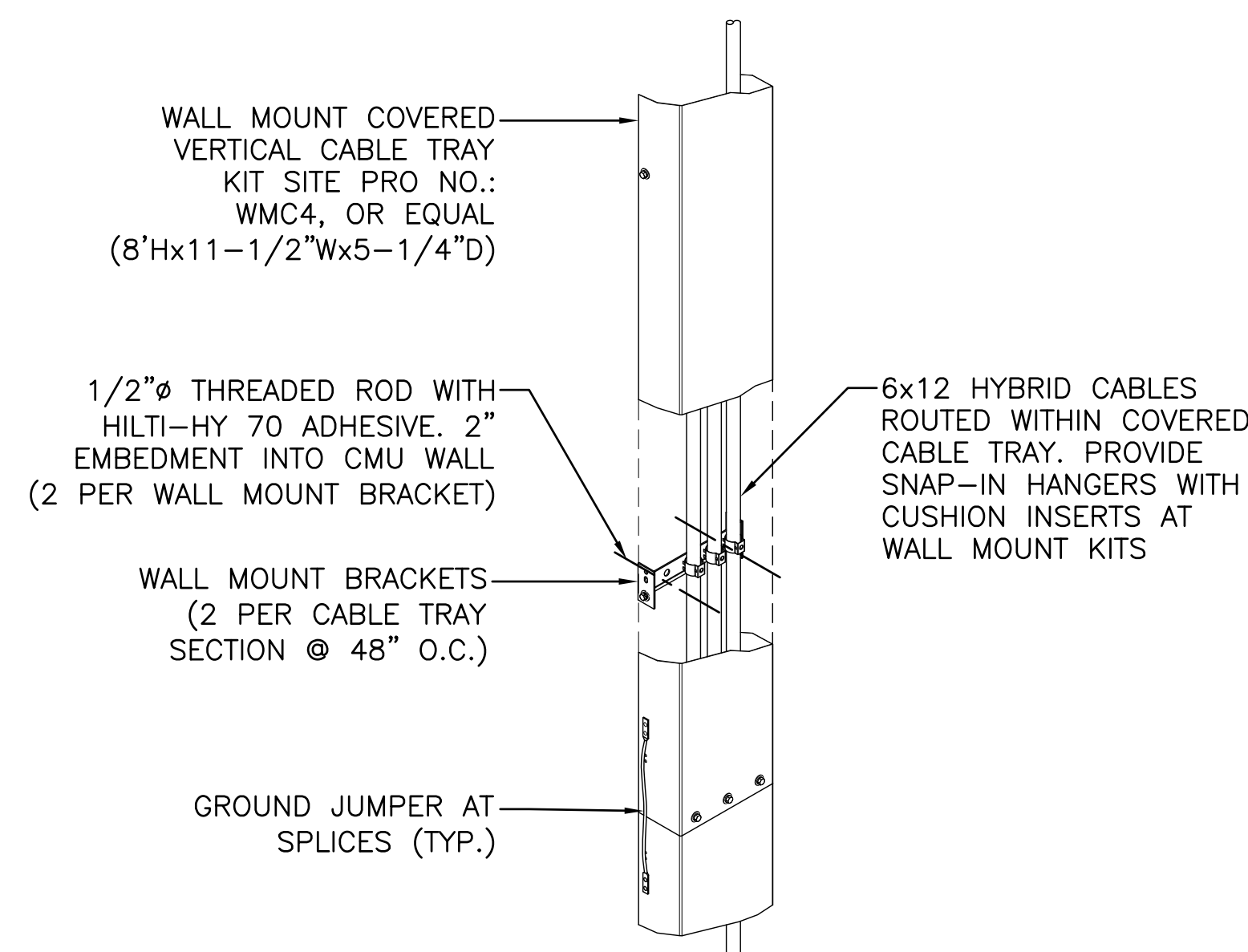
3 CONDUIT SUPPORT DETAIL
SCALE: N.T.S.



4 CONDUIT SUPPORT DETAIL
SCALE: N.T.S.



5 CABLE TRAY DETAIL
SCALE: N.T.S.



6 VERTICAL CABLE TRAY DETAIL
SCALE: N.T.S.

PREPARED BY:
NEXIUS
TRANSFORM YOUR BUSINESS...THROUGH WIRELESS

A&E OFFICE:
7A LYBERTY WAY
WESTFORD, MA 01886
1 (972) 755-1882

APPLICANT:
verizon

CELLCO PARTNERSHIP d/b/a
VERIZON WIRELESS
118 FLANDERS ROAD, 3RD FLOOR
WESTBOROUGH, MA 01581

STATE OF MAINE
RONALD J. JACKSON
3773
LICENSED PROFESSIONAL ENGINEER

Ronald J. Jackson

NOT FOR CONSTRUCTION
FOR BUILDING PERMIT ONLY

THIS DOCUMENT IS THE DESIGN PROPERTY AND COPYRIGHT OF NEXIUS AND FOR THE EXCLUSIVE USE BY THE TITLE CLIENT. DUPLICATION OR USE WITHOUT THE EXPRESS WRITTEN CONSENT OF THE CREATOR IS STRICTLY PROHIBITED.

DRAWING SCALES ARE INTENDED FOR 24"x36" SIZE PRINTED MEDIA ONLY. ALL OTHER PRINTED SIZES ARE DEEMED "NOT TO SCALE".

| SUBMITTALS | | | |
|------------|----------|--------------------------|----|
| REV | DATE | DESCRIPTION | BY |
| 0 | 04/26/17 | FOR BUILDING PERMIT ONLY | JM |
| 1 | 05/02/17 | REVISED FOR BP | JM |
| | | | |
| | | | |
| | | | |
| | | | |
| | | | |
| | | | |
| | | | |

SITE INFO:

SITE NAME:
PORTLAND_9_ME

LOCATION CODE:
380406

SITE ADDRESS:
**284 DANFORTH STREET
PORTLAND, ME 04102
CUMBERLAND COUNTY**

SHEET TITLE:
CONSTRUCTION DETAILS

| | |
|------------------------------------|-----------------------------|
| NEXIUS PROJ. NO: VZ11509 | SHEET NUMBER: A-4 |
| CHECKED BY: KB | |
| CHECKED BY DATE: 04/26/17 | |