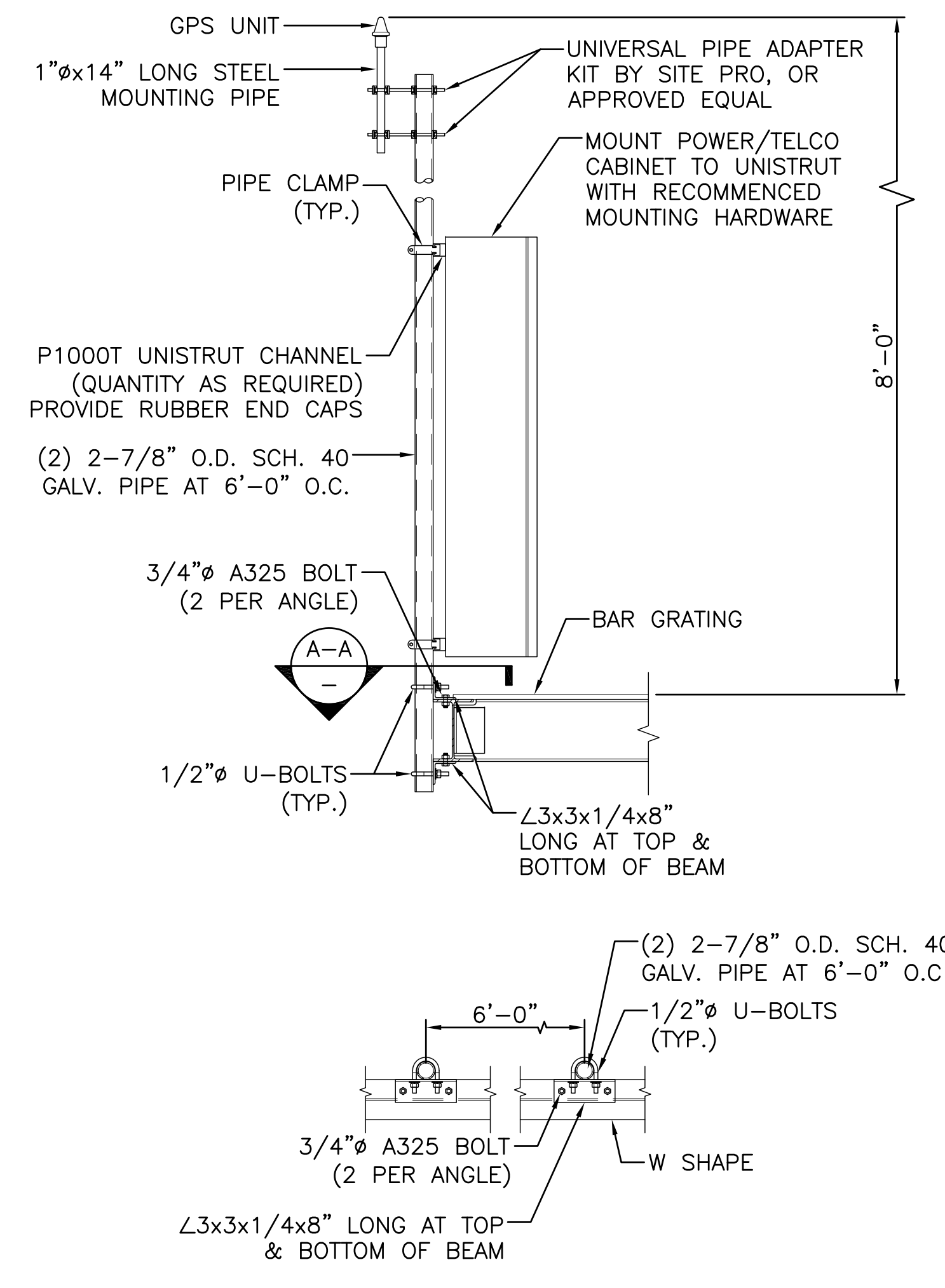
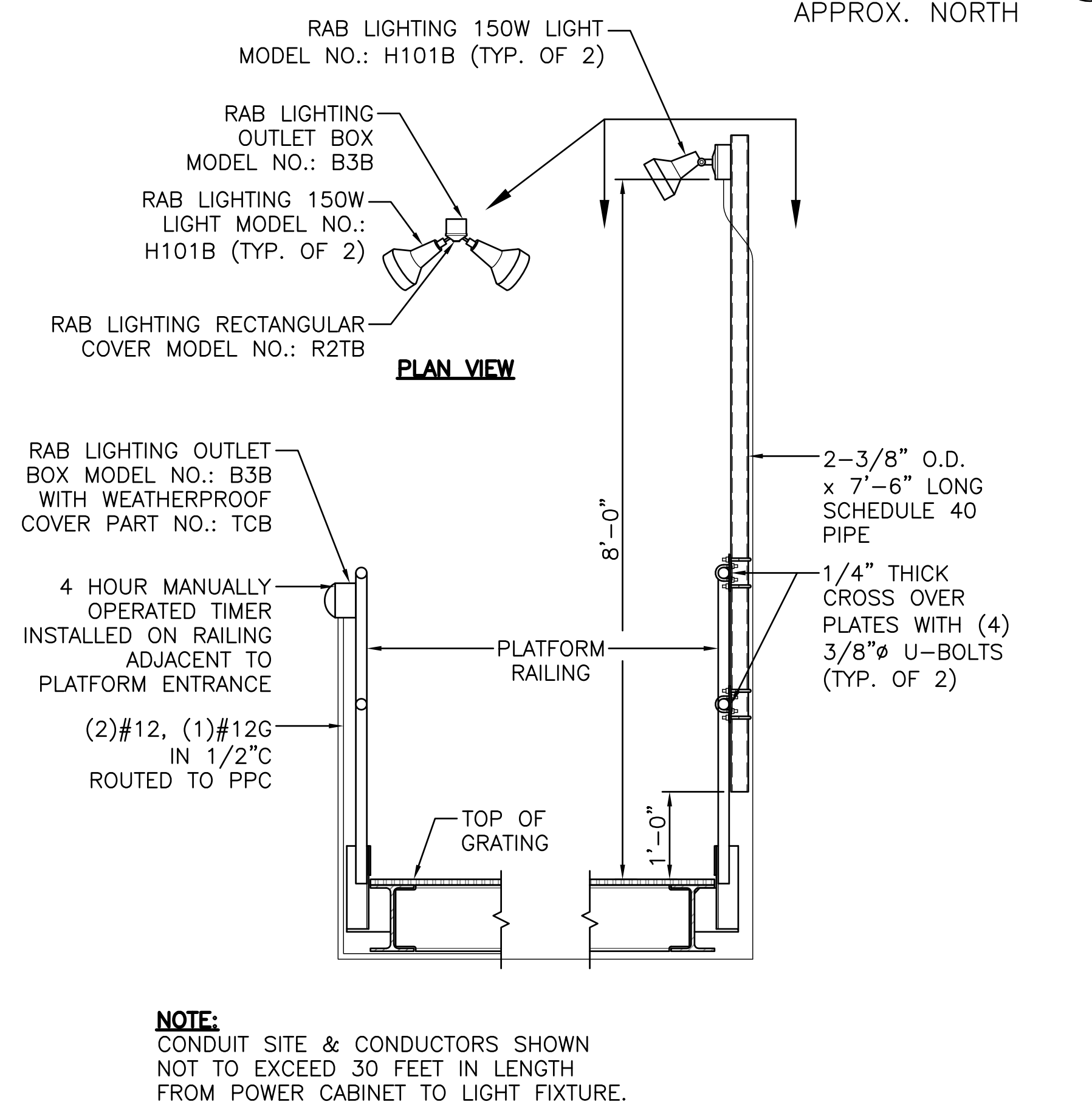


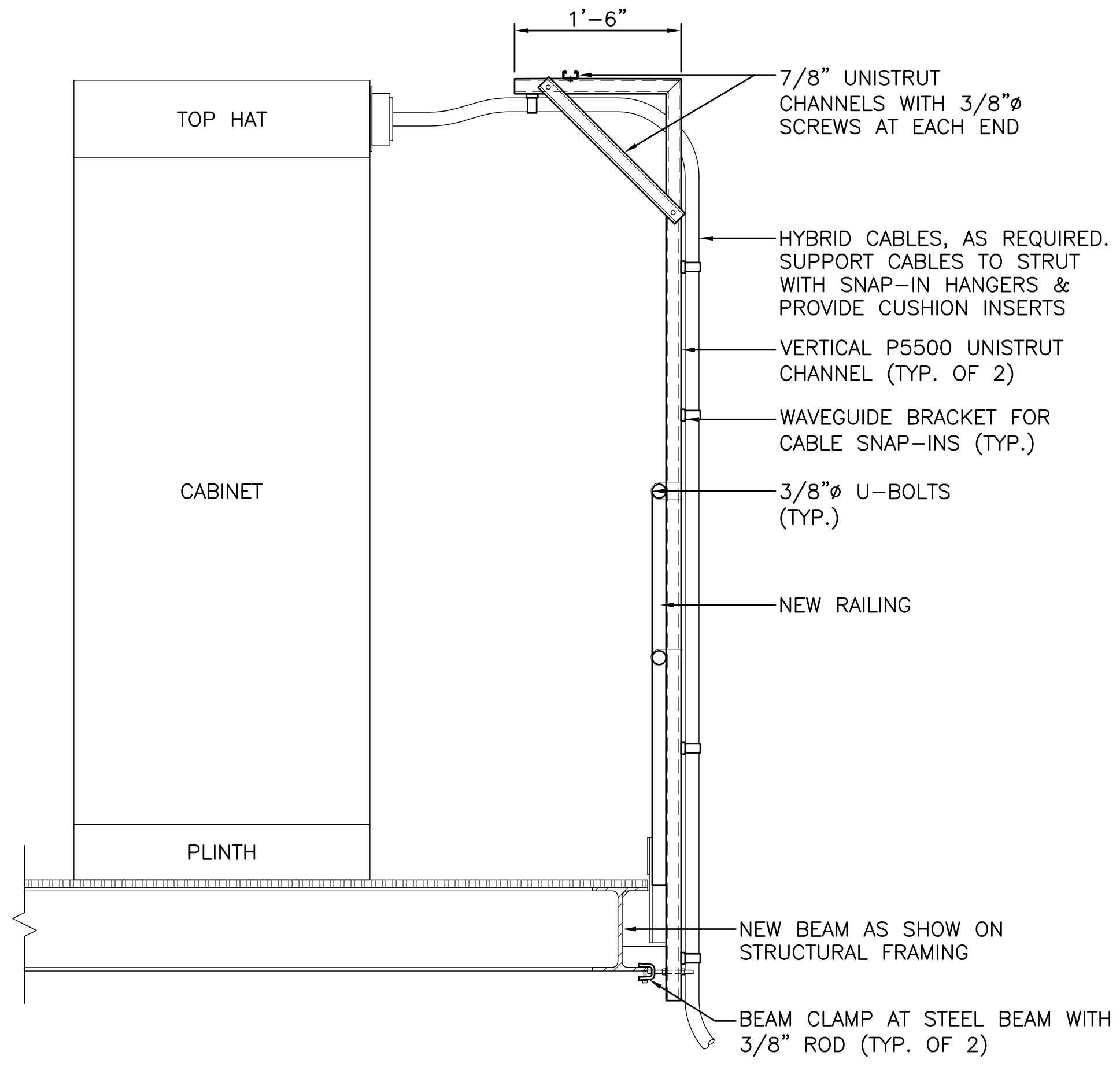
1 EQUIPMENT PLAN
SCALE: N.T.S.



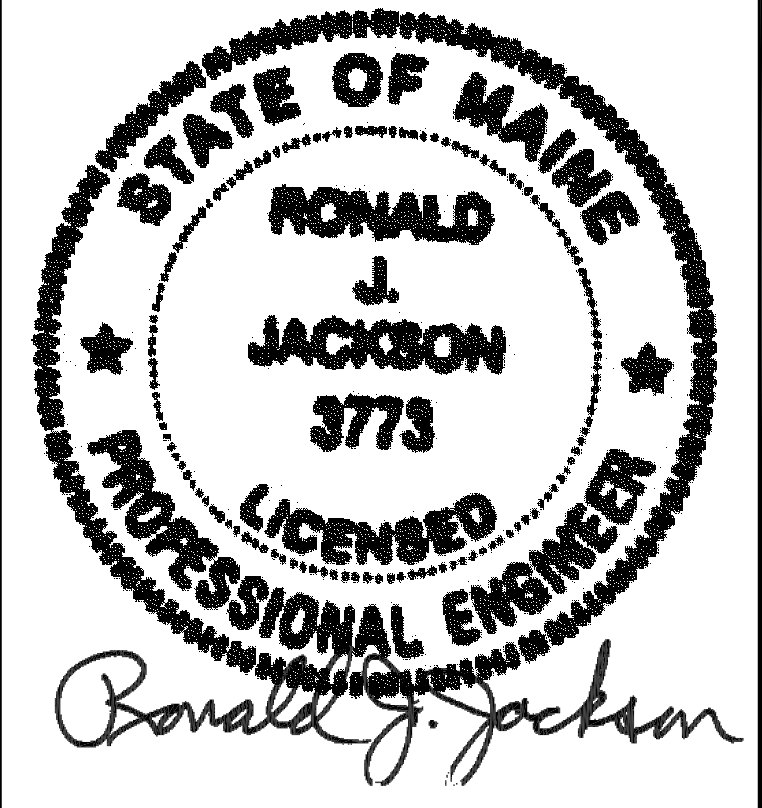
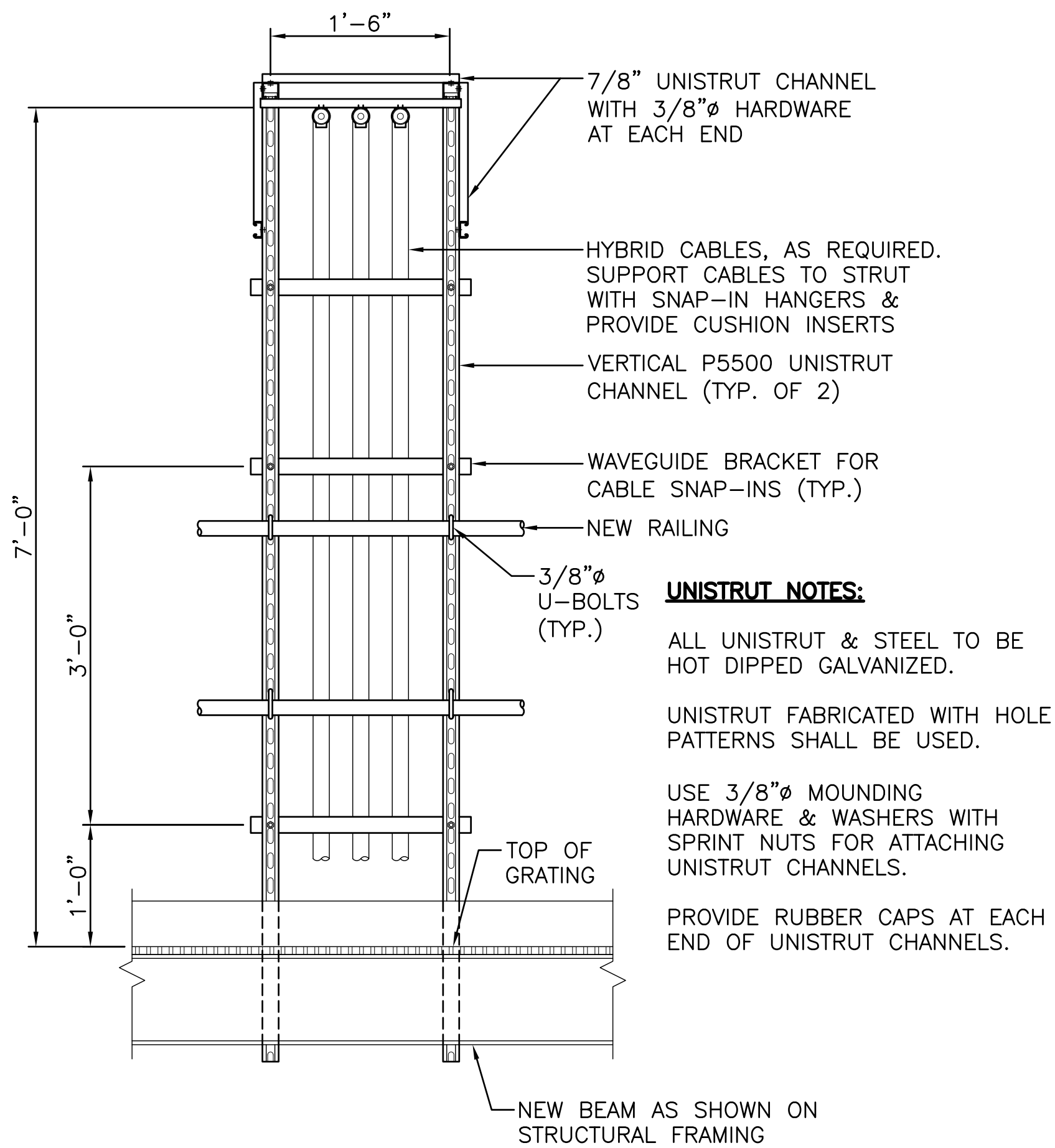
2 H-FRAME DETAIL
SCALE: N.T.S.



3 PLATFORM LIGHT DETAIL
SCALE: N.T.S.



4 CABLE LADDER DETAIL
SCALE: N.T.S.



NOT FOR CONSTRUCTION
FOR BUILDING PERMIT ONLY

THIS DOCUMENT IS THE DESIGN PROPERTY AND COPYRIGHT OF NEXIUS AND FOR THE EXCLUSIVE USE BY THE TITLE CLIENT. DUPLICATION OR USE WITHOUT THE EXPRESS WRITTEN CONSENT OF THE CREATOR IS STRICTLY PROHIBITED.

DRAWING SCALES ARE INTENDED FOR 24"x36" SIZE PRINTED MEDIA ONLY. ALL OTHER PRINTED SIZES ARE DEEMED "NOT TO SCALE".

SUBMITTALS			
REV	DATE	DESCRIPTION	BY
0	04/26/17	FOR BUILDING PERMIT ONLY	JM
1	05/02/17	REVISED FOR BP	JM

SITE INFO:
SITE NAME:
PORTLAND_9_ME
LOCATION CODE:
380406
SITE ADDRESS:
**284 DANFORTH STREET
PORTLAND, ME 04102
CUMBERLAND COUNTY**

SHEET TITLE:
**EQUIPMENT PLAN &
CONSTRUCTION DETAILS**

NEXIUS PROJ. NO.:
VZ11509
SHEET NUMBER:
A-3
CHECKED BY:
KB
CHECKED BY DATE:
04/26/17