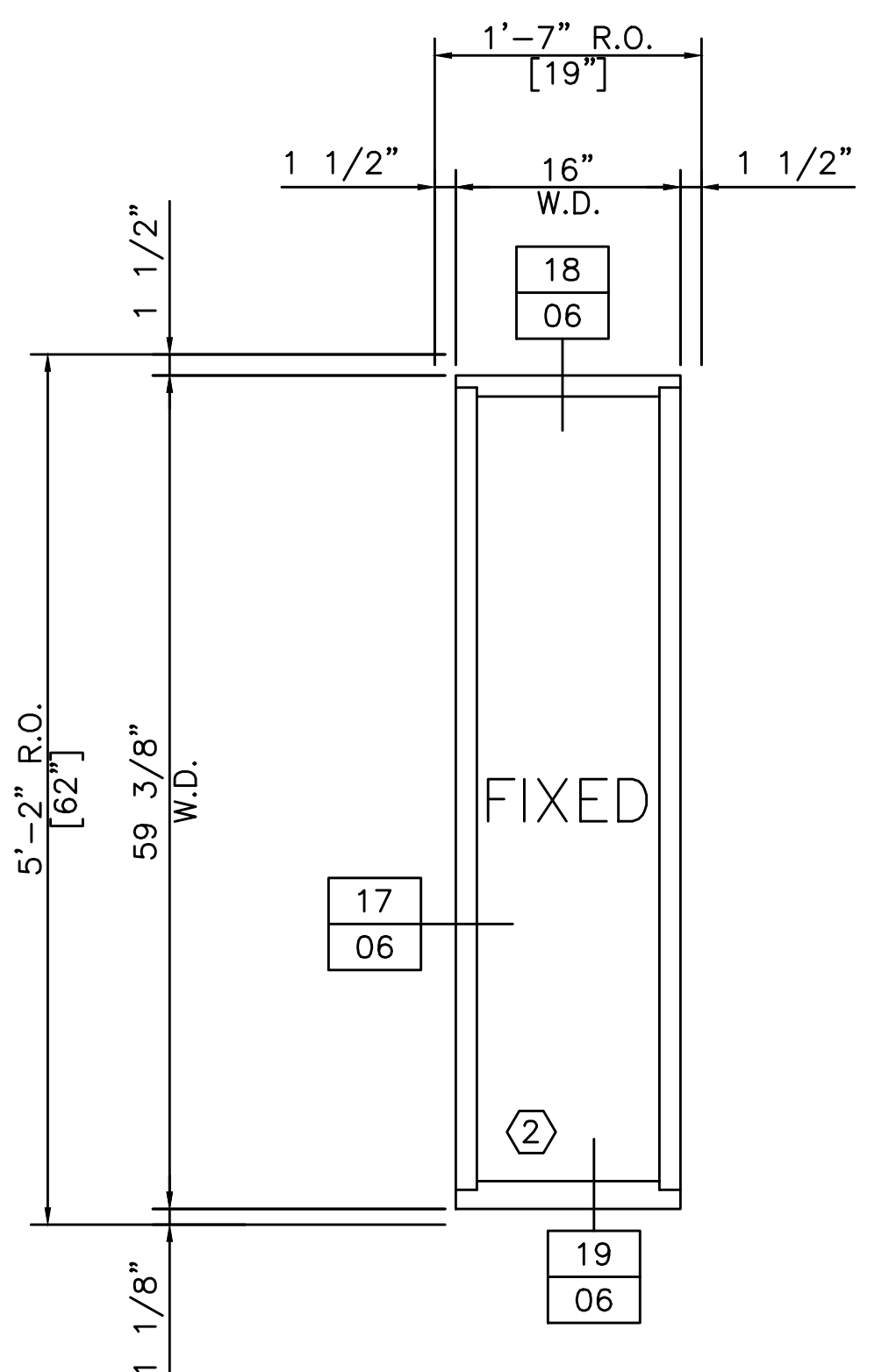
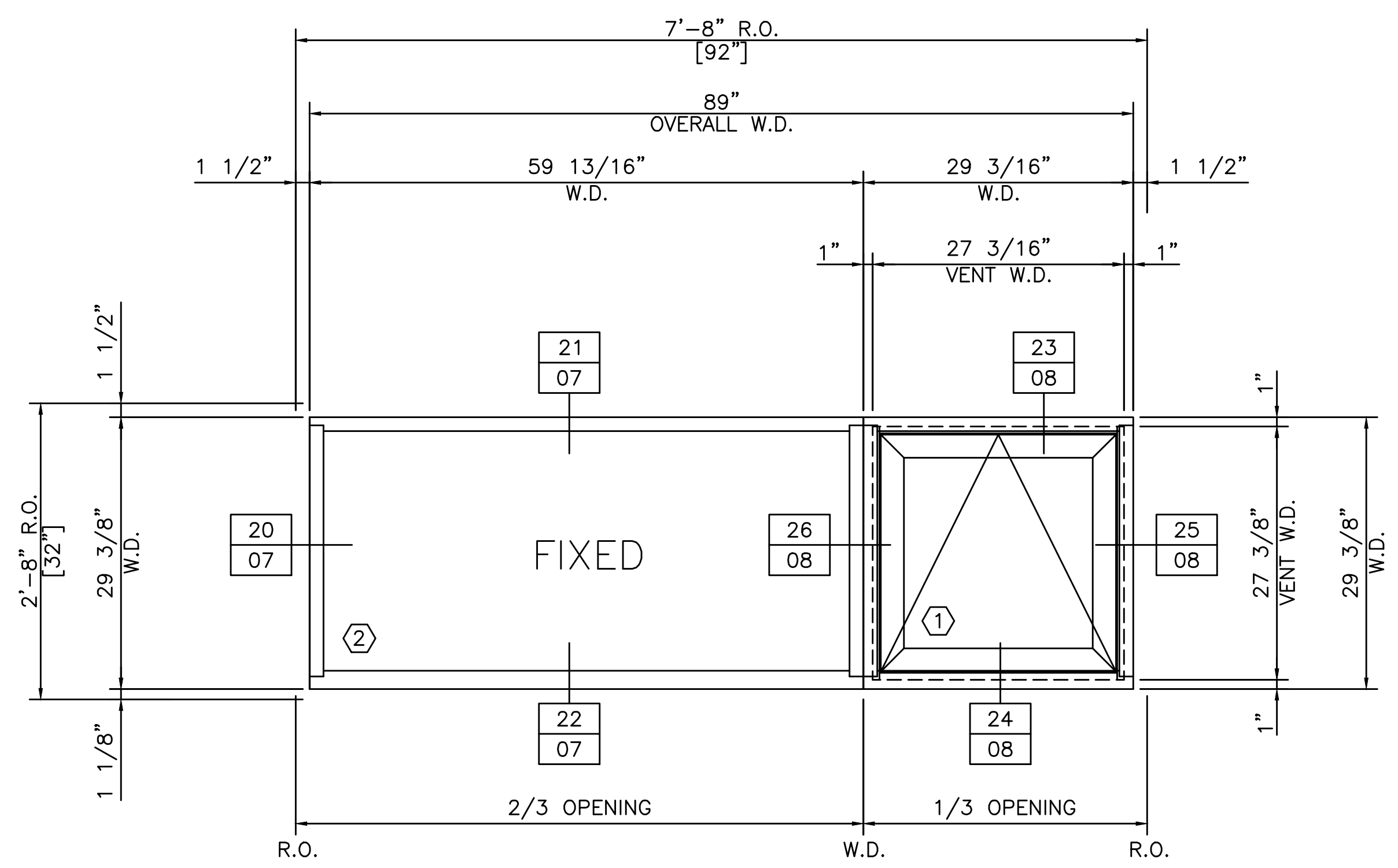


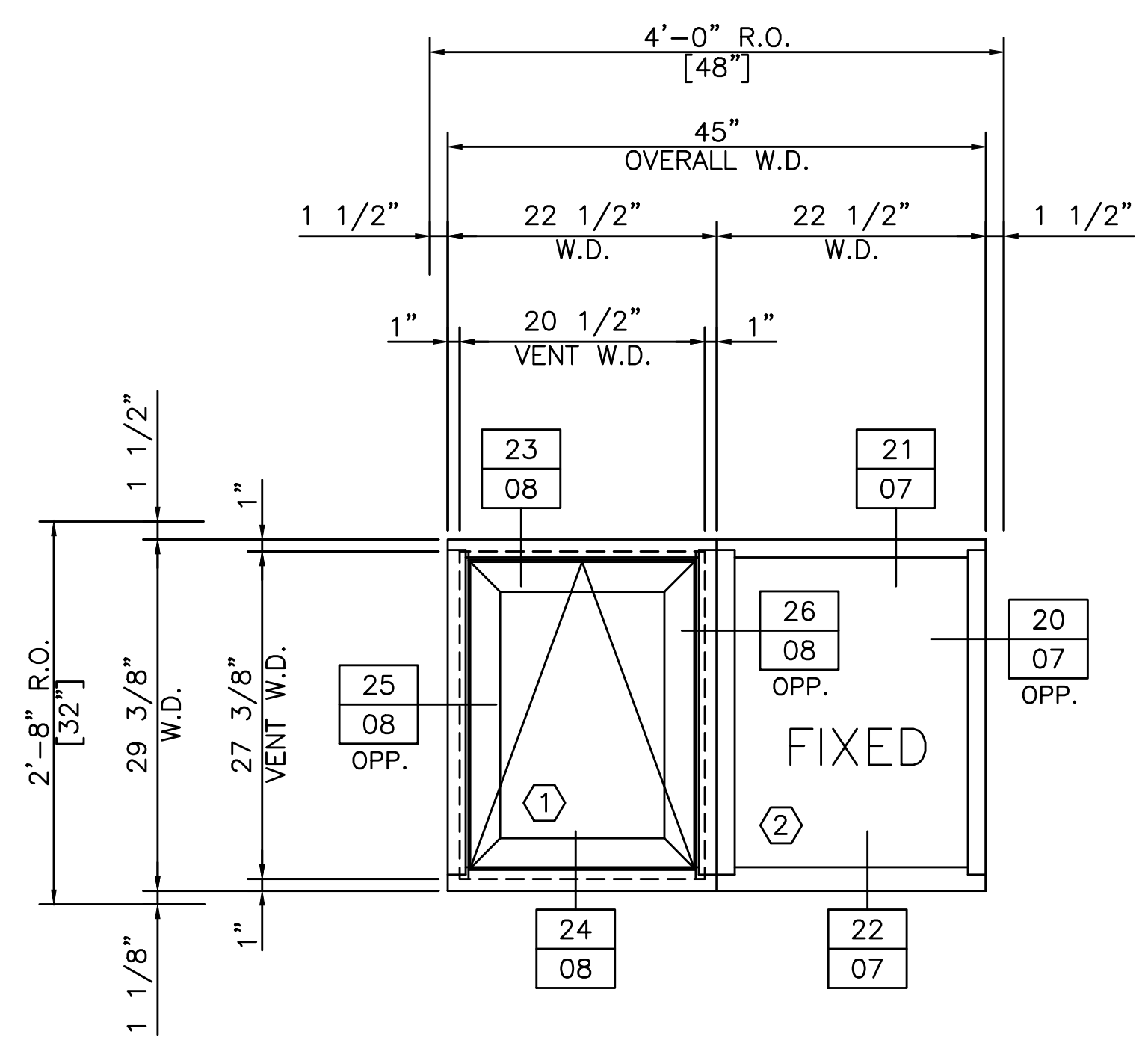
NRC (16) REQUIRED THUS
 BASE 2000 SINGLE HUNG
 1200 FIXED
 ARCHITECTURAL REFERENCE: A9



D (20) REQUIRED THUS
 BASE 1200 FIXED
 ARCHITECTURAL REFERENCE: A9



E (1) REQUIRED THUS
 BASE 1200 FIXED
 6600 AWNING
 ARCHITECTURAL REFERENCE: A9



F (1) REQUIRED THUS
 BASE 6600 AWNING
 1200 FIXED
 ARCHITECTURAL REFERENCE: A9

XX	←	DETAIL NUMBER
XX	←	PAGE NUMBER (WD-XX)

DRAWING NO.
WE-02

SCALE:
NONE

DATE						05/10/2016
REVISIONS						REVISIONS

DRAWN BY: REMENAR
 DATE: 04/21/2016

PROJECT: HARBOR TERRACE APARTMENTS
 LOCATION: 284 DANFORTH STREET
 PORTLAND, MAINE
 ARCHITECT: Gto2 ARCHITECTS



DRAWING TITLE
WINDOW
ELEVATIONS

JOB NUMBER
6002

DRAWING NO.
WE-02