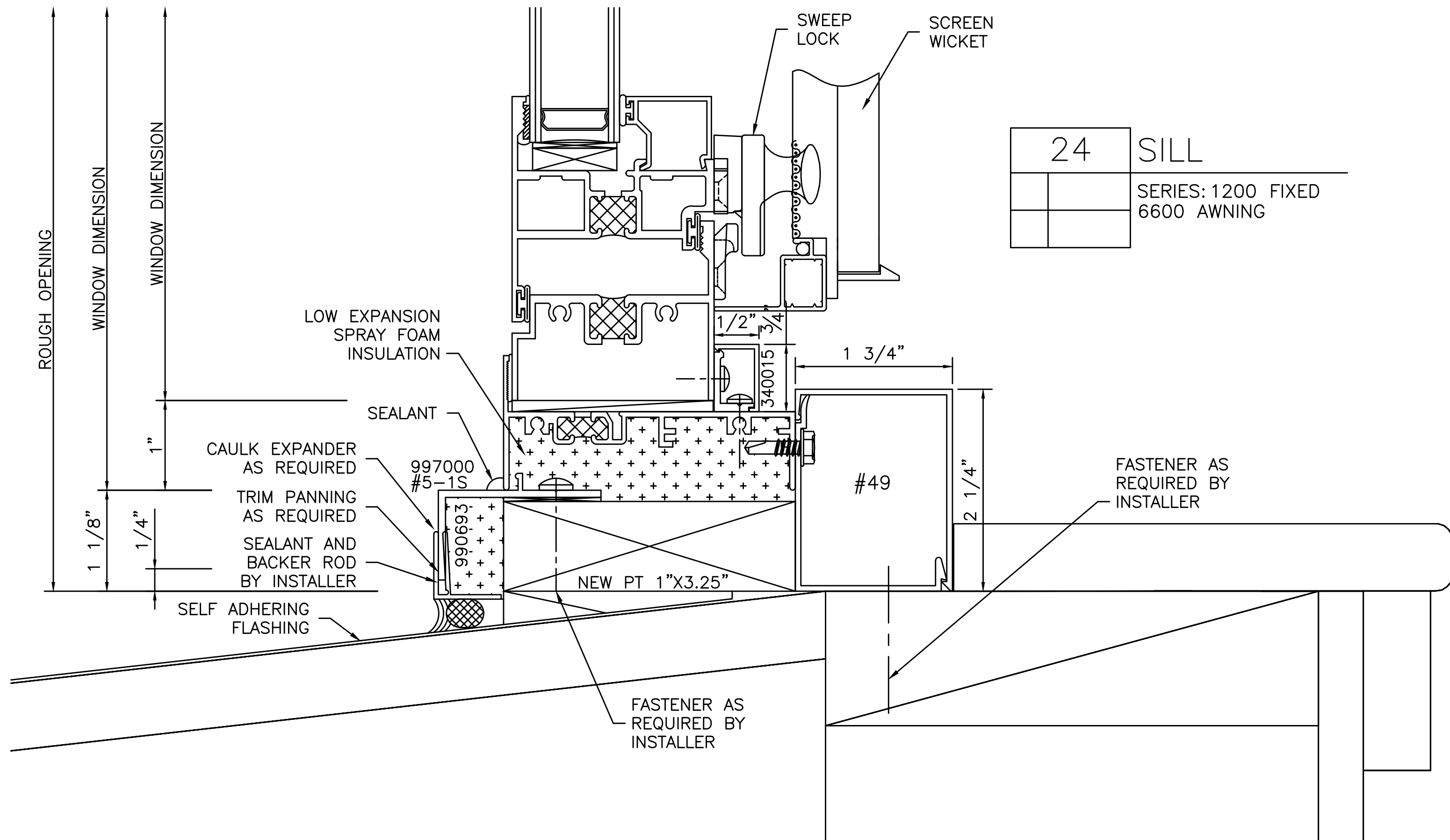
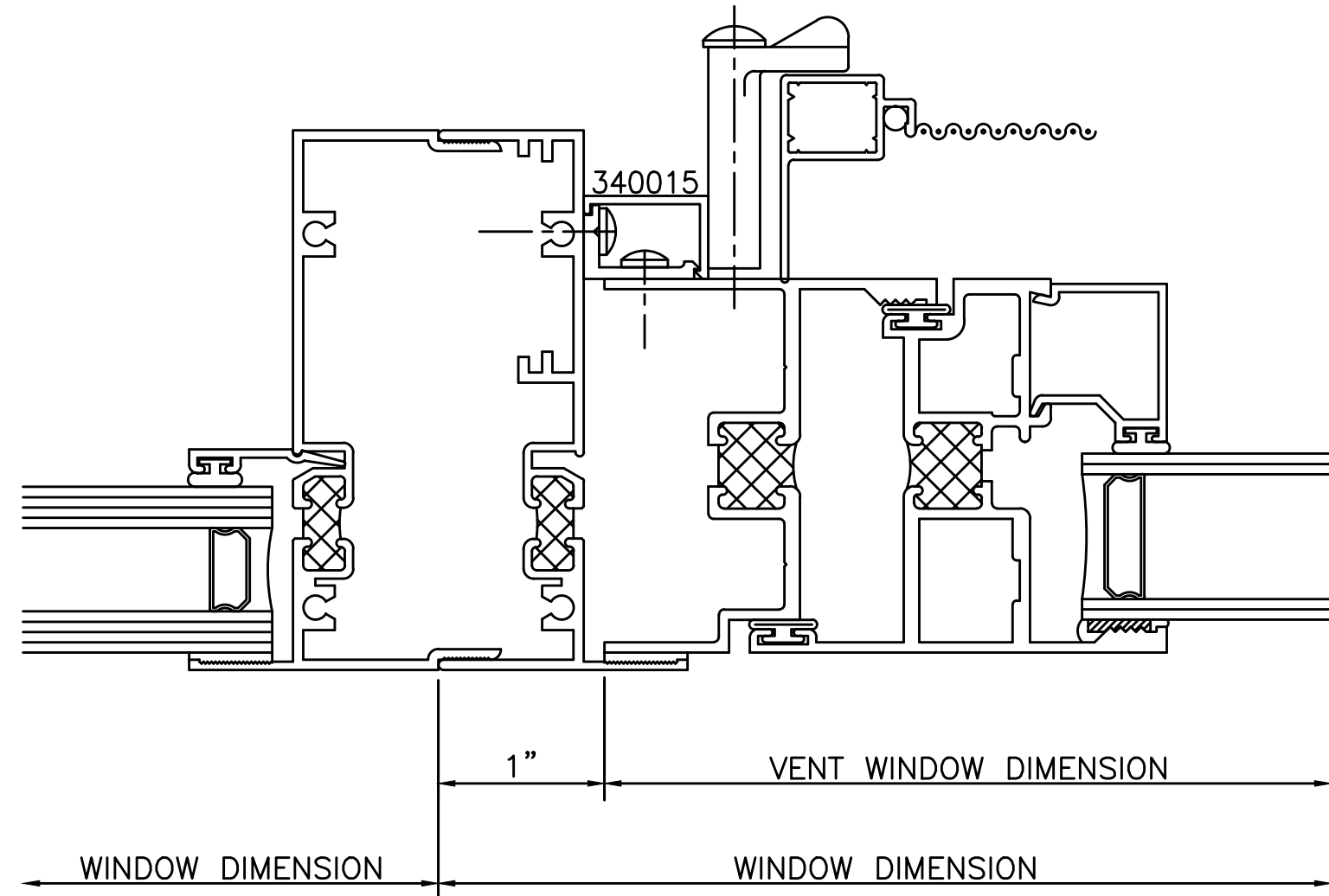
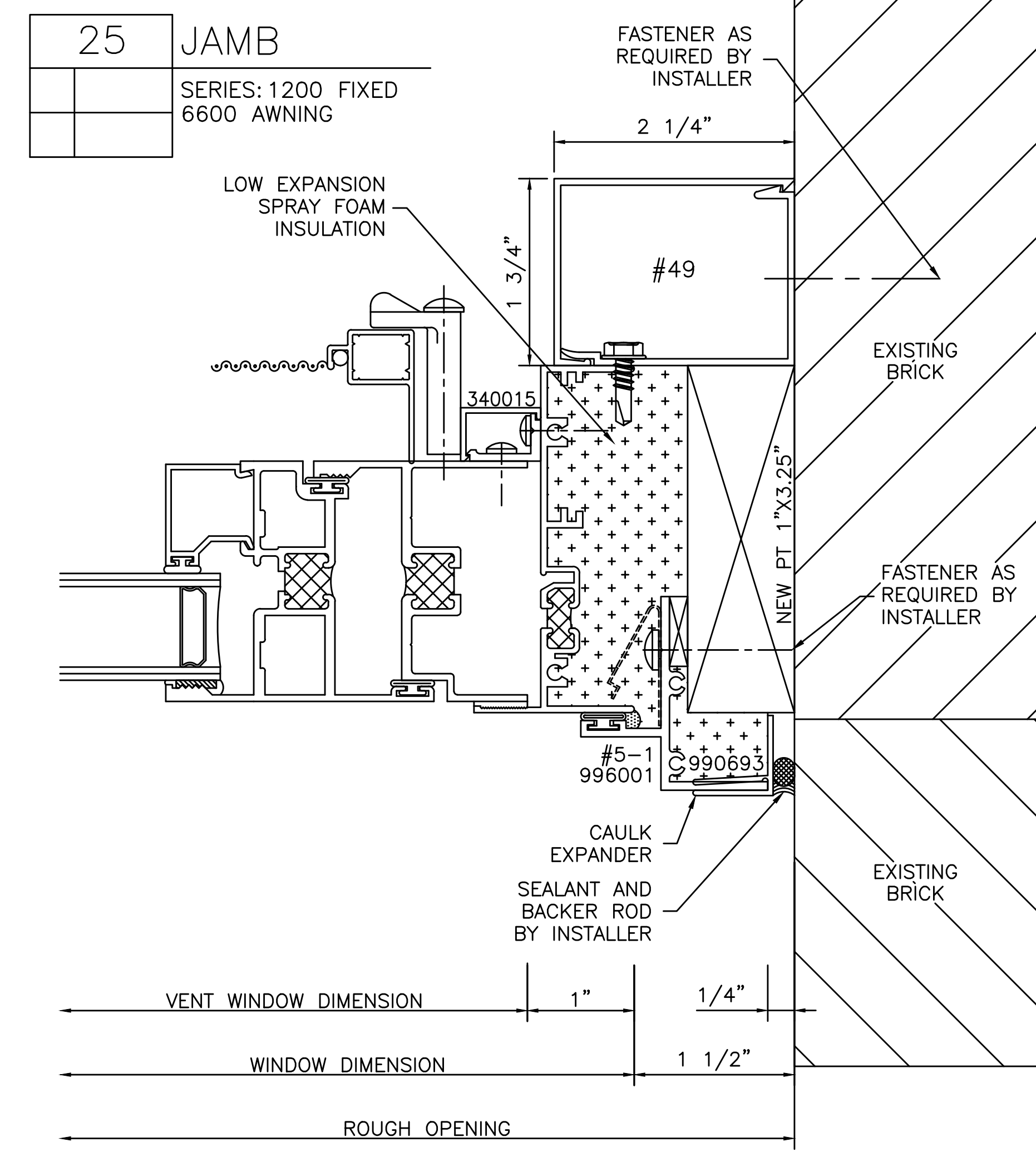


23	HEAD
	SERIES: 1200 FIXED 6600 AWNING



24	SILL
	SERIES: 1200 FIXED 6600 AWNING



DRAWING NO. WD-08

SCALE: FULL ON 22X34

DATE	REVISIONS	DATE	REVISIONS

DRAWN BY: REMENAR

DATE: 04/21/2016

PROJECT: HARBOR TERRACE APARTMENTS

LOCATION: 284 DANFORTH STREET  
PORTLAND, MAINE

ARCHITECT: Gto2 ARCHITECTS

DRAWING TITLE: WINDOW DETAILS

JOB NUMBER: 6002

DRAWING NO. WD-08