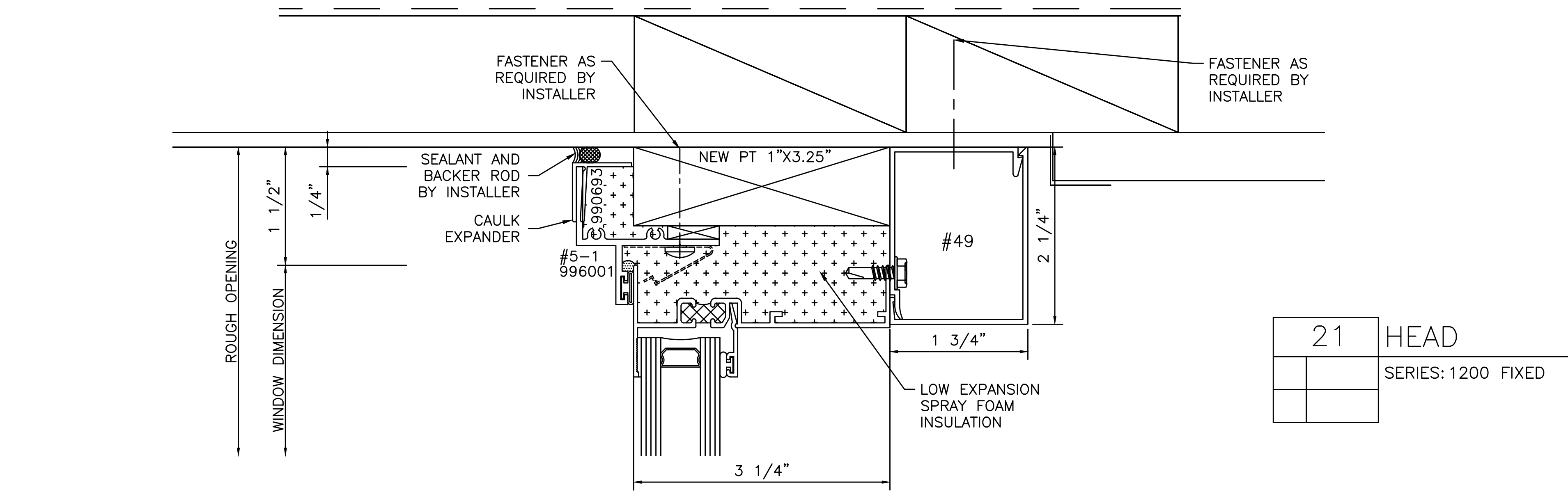
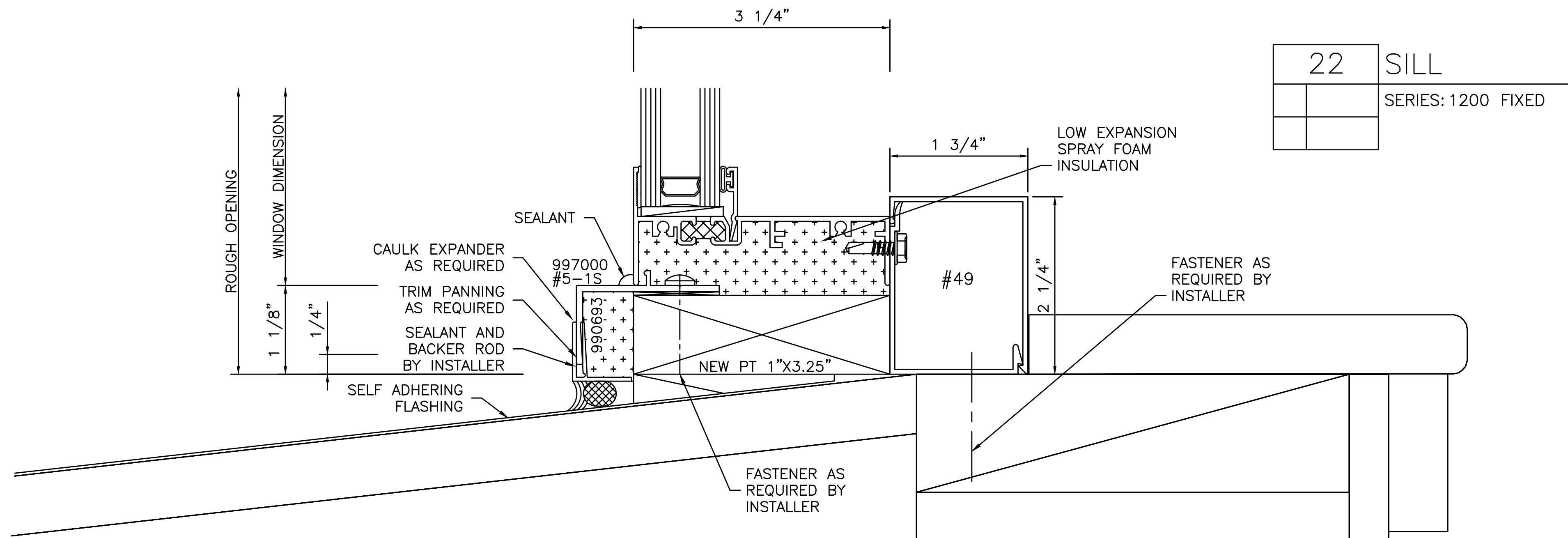



20	JAMB
	SERIES: 1200 FIXED



21	HEAD
	SERIES: 1200 FIXED



22	SILL
	SERIES: 1200 FIXED

DRAWING NO. <b>WD-07</b>	
SCALE: FULL ON 22X34	
DATE	
REVISIONS	
DATE	05/10/2016
REVISIONS	
DRAWN BY: REMENAR	
DATE: 04/21/2016	
PROJECT: HARBOR TERRACE APARTMENTS	
LOCATION: 284 DANFORTH STREET PORTLAND, MAINE	
ARCHITECT: Gt2 ARCHITECTS	
	
DRAWING TITLE WINDOW DETAILS	
JOB NUMBER 6002	
DRAWING NO. <b>WD-07</b>	