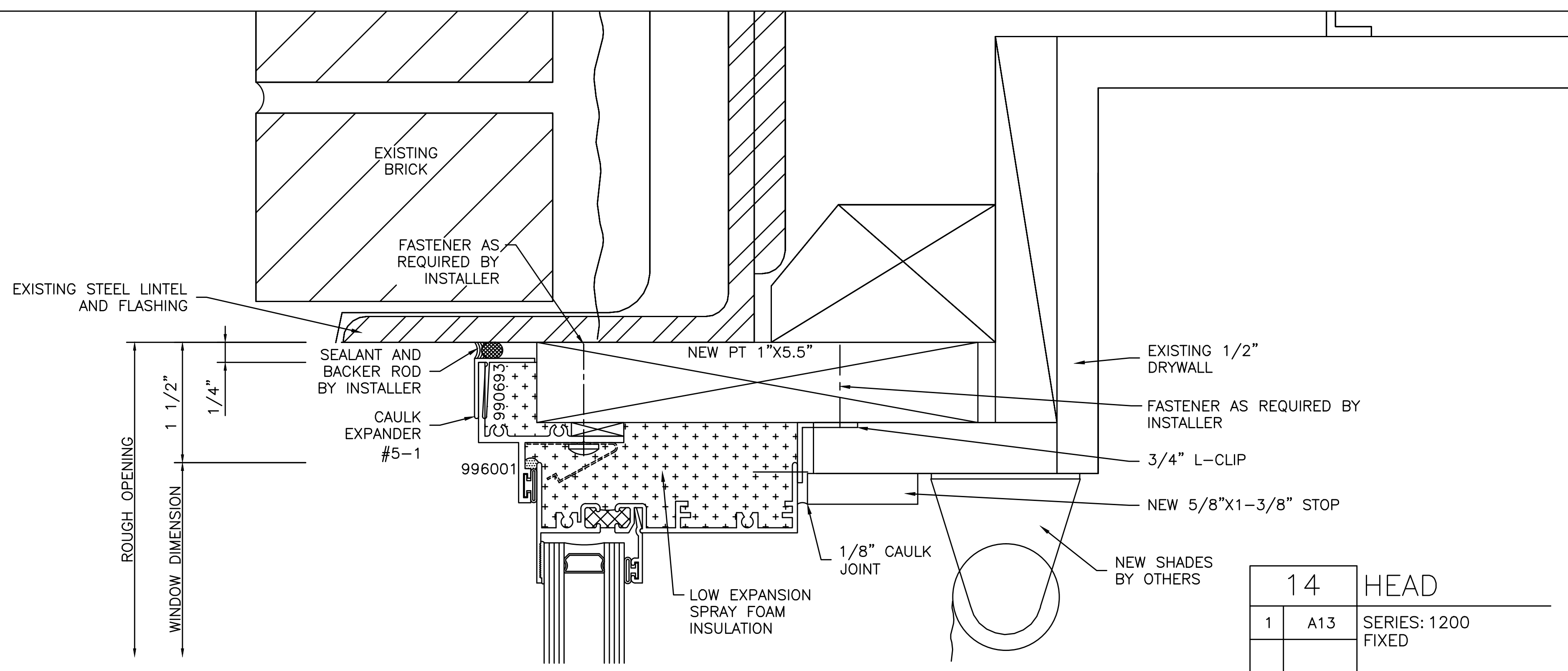


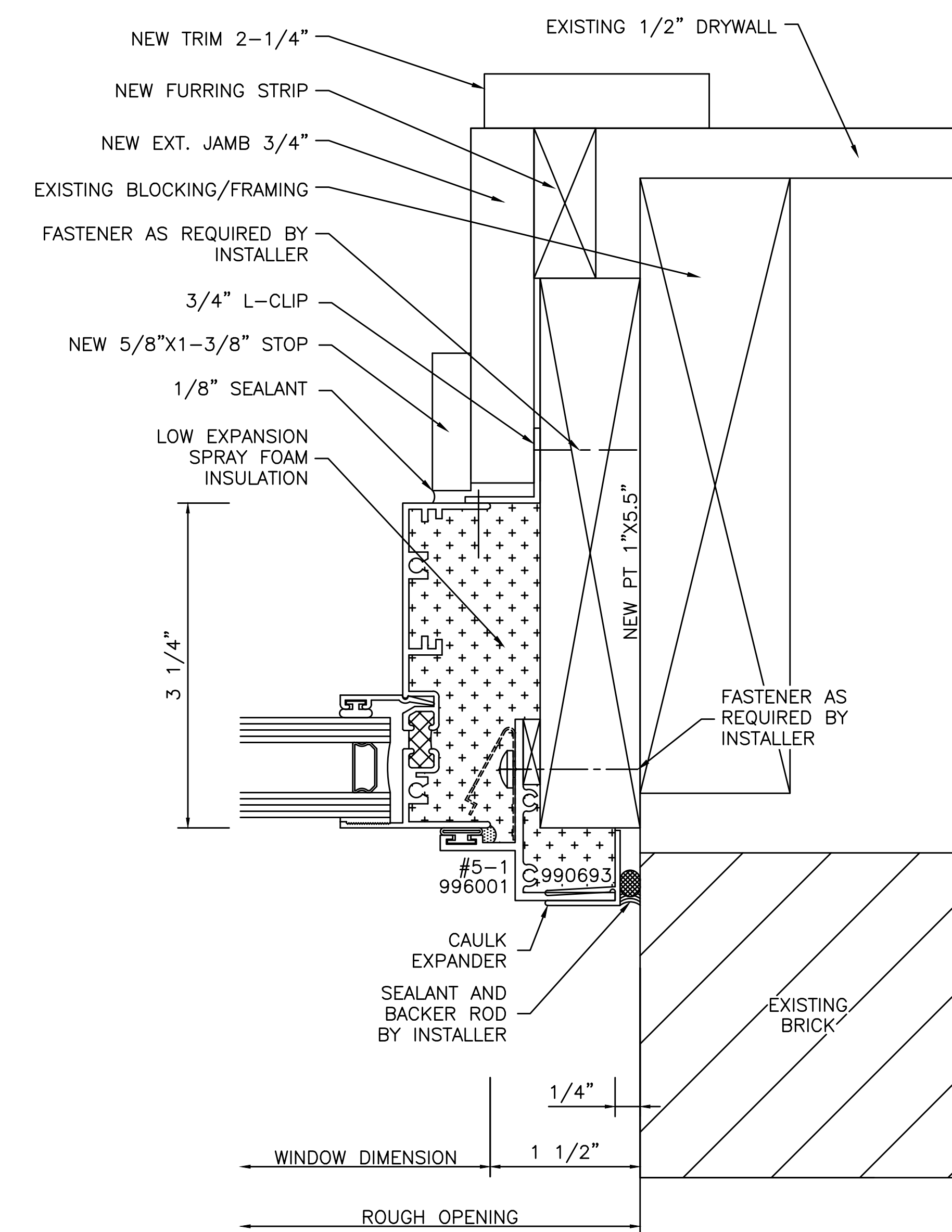
DATE	REVISIONS
05/10/2016	

DRAWN BY:	REMEMAR	DATE:
		04/21/2016

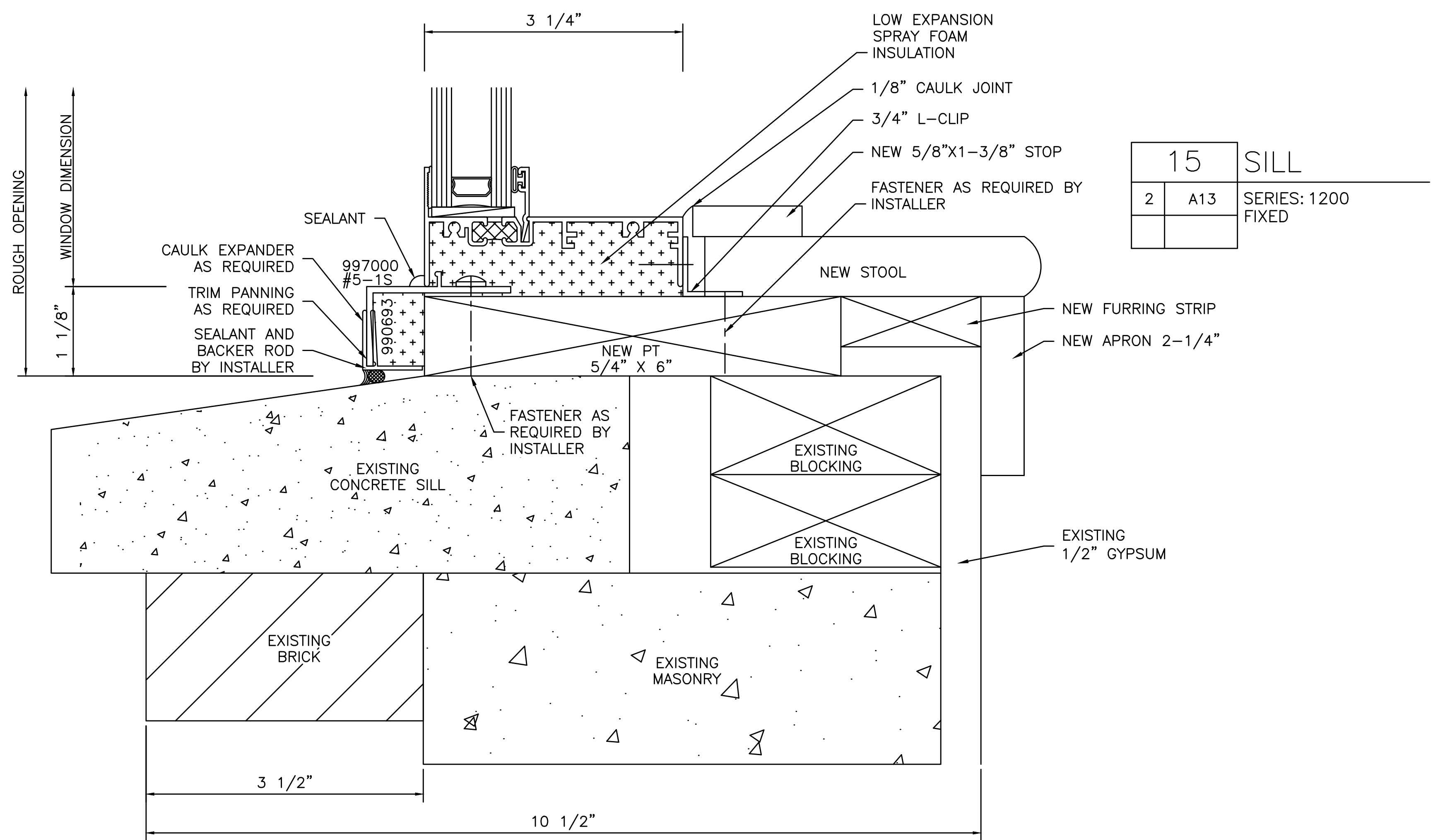
PROJECT: HARBOR TERRACE APARTMENTS
 LOCATION: 284 DANFORTH STREET
 PORTLAND, MAINE
 ARCHITECT: Gto2 ARCHITECTS



14	HEAD
1	A13
	SERIES: 1200 FIXED



16	JAMB
4	A13
	SERIES: 1200 FIXED



15	SILL
2	A13
	SERIES: 1200 FIXED

