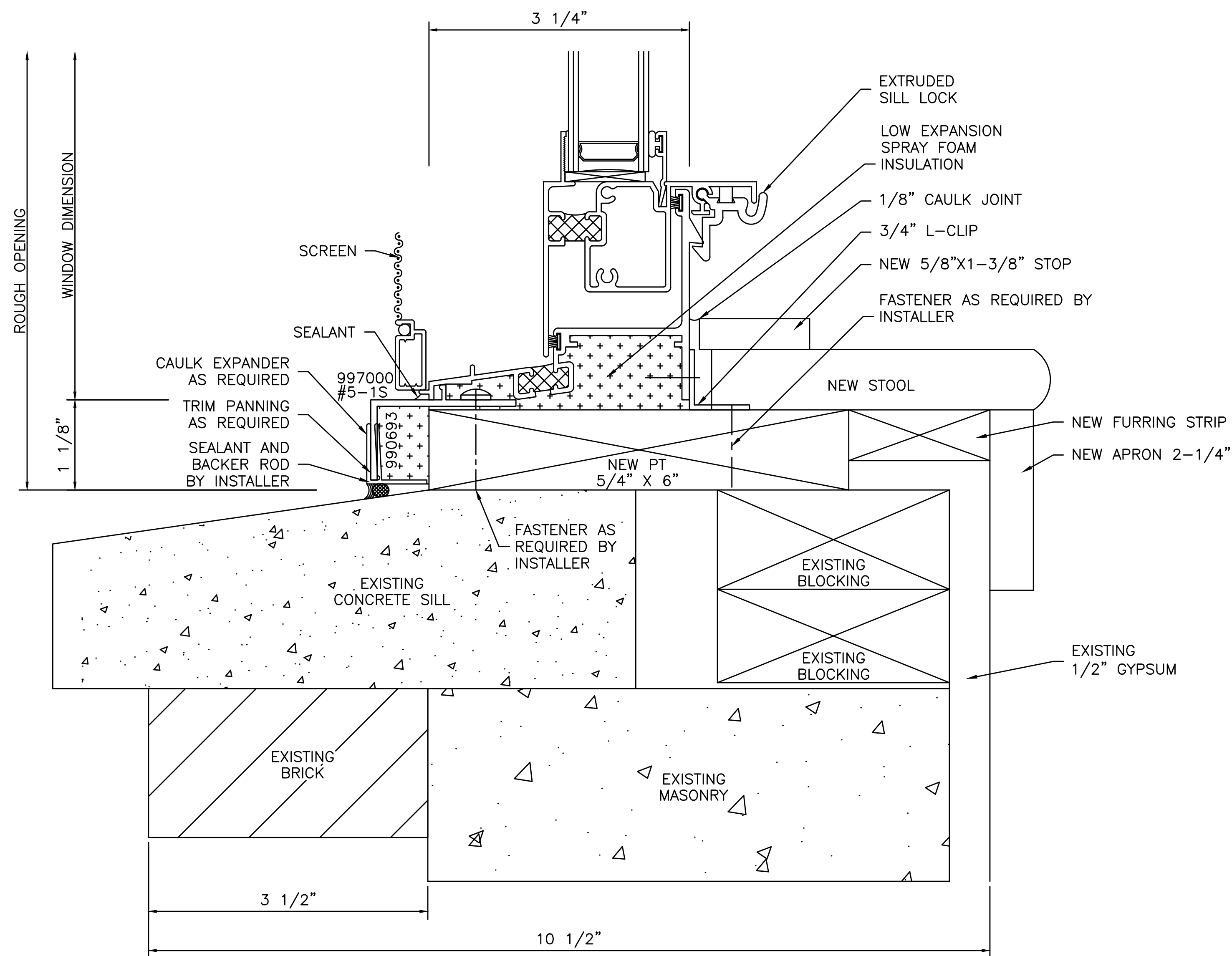


8		HEAD
1	A12	SERIES: 2000 SINGLE HUNG



9		SILL
3	A12	SERIES: 2000 SINGLE HUNG

DRAWING NO.
WD-03

SCALE:
FULL
ON 22X34

DATE	REVISIONS
05/10/2016	REVISIONS

DRAWN BY: REMENAR
DATE: 04/21/2016

PROJECT: HARBOR TERRACE APARTMENTS
LOCATION: 284 DANFORTH STREET
PORTLAND, MAINE
ARCHITECT: Gto2 ARCHITECTS



DRAWING TITLE
WINDOW
DETAILS
JOB NUMBER
6002
DRAWING NO.
WD-03