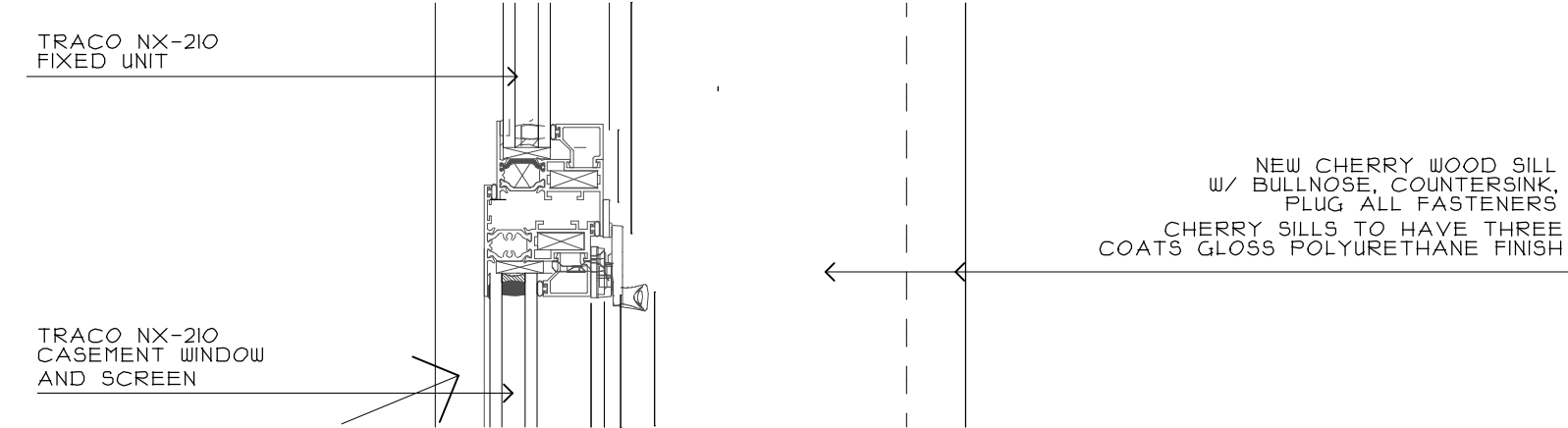


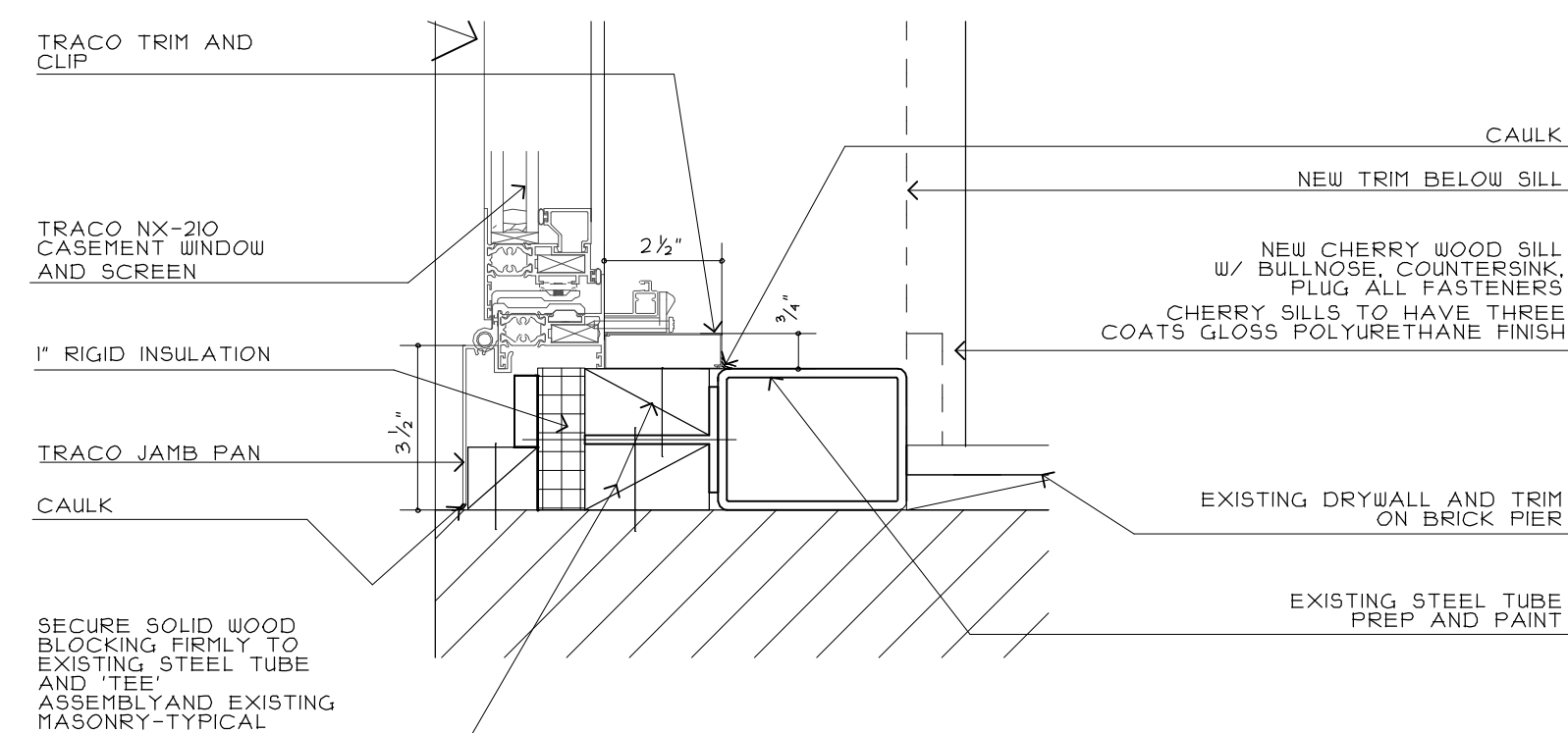
9 DETAIL AT NEW WINDOW JAMB- MULLION

SCALE: 3/4"=1'-0"



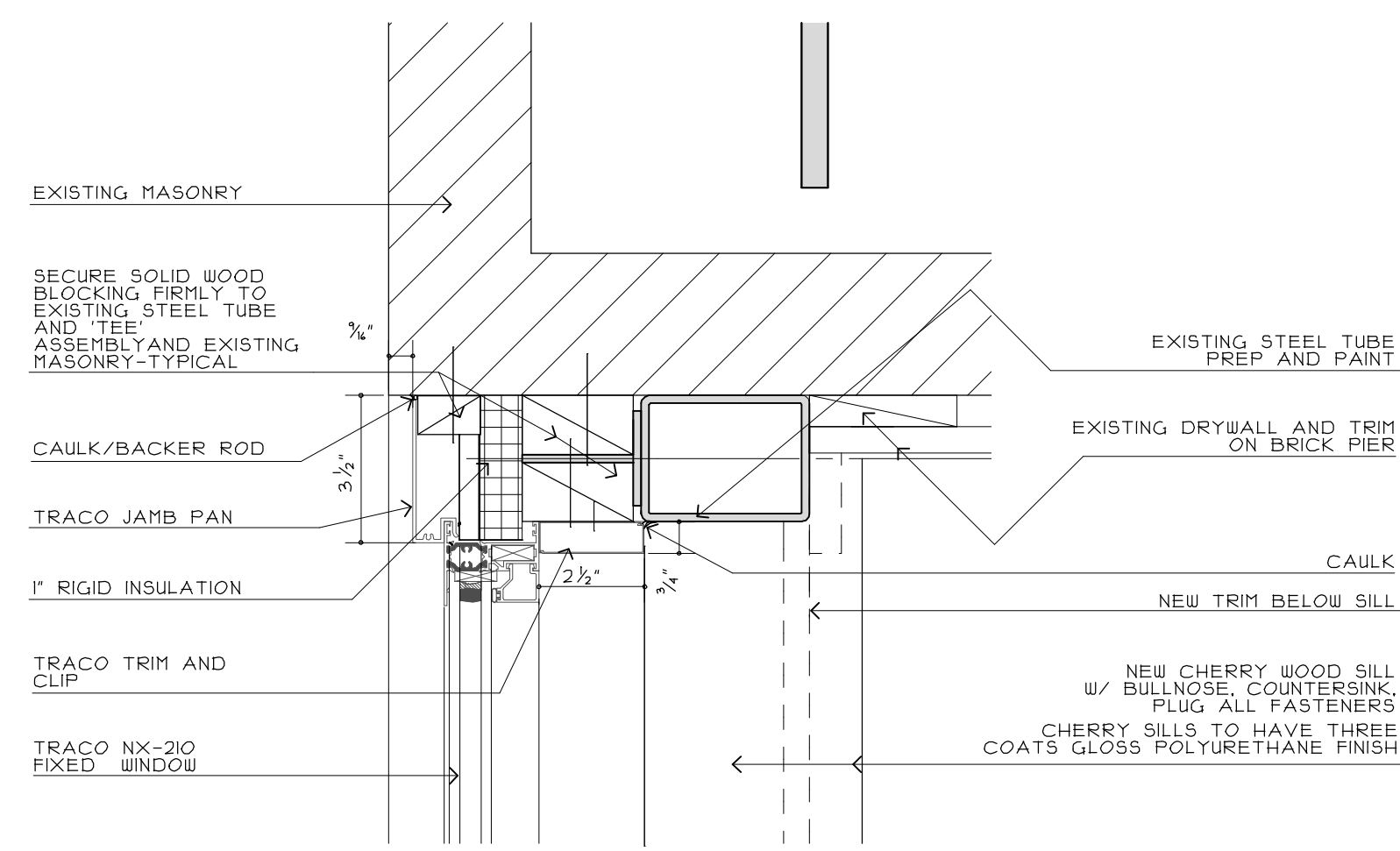
8 DETAIL AT NEW WINDOW JAMB- MULLION

SCALE: 3/4"=1'-0"



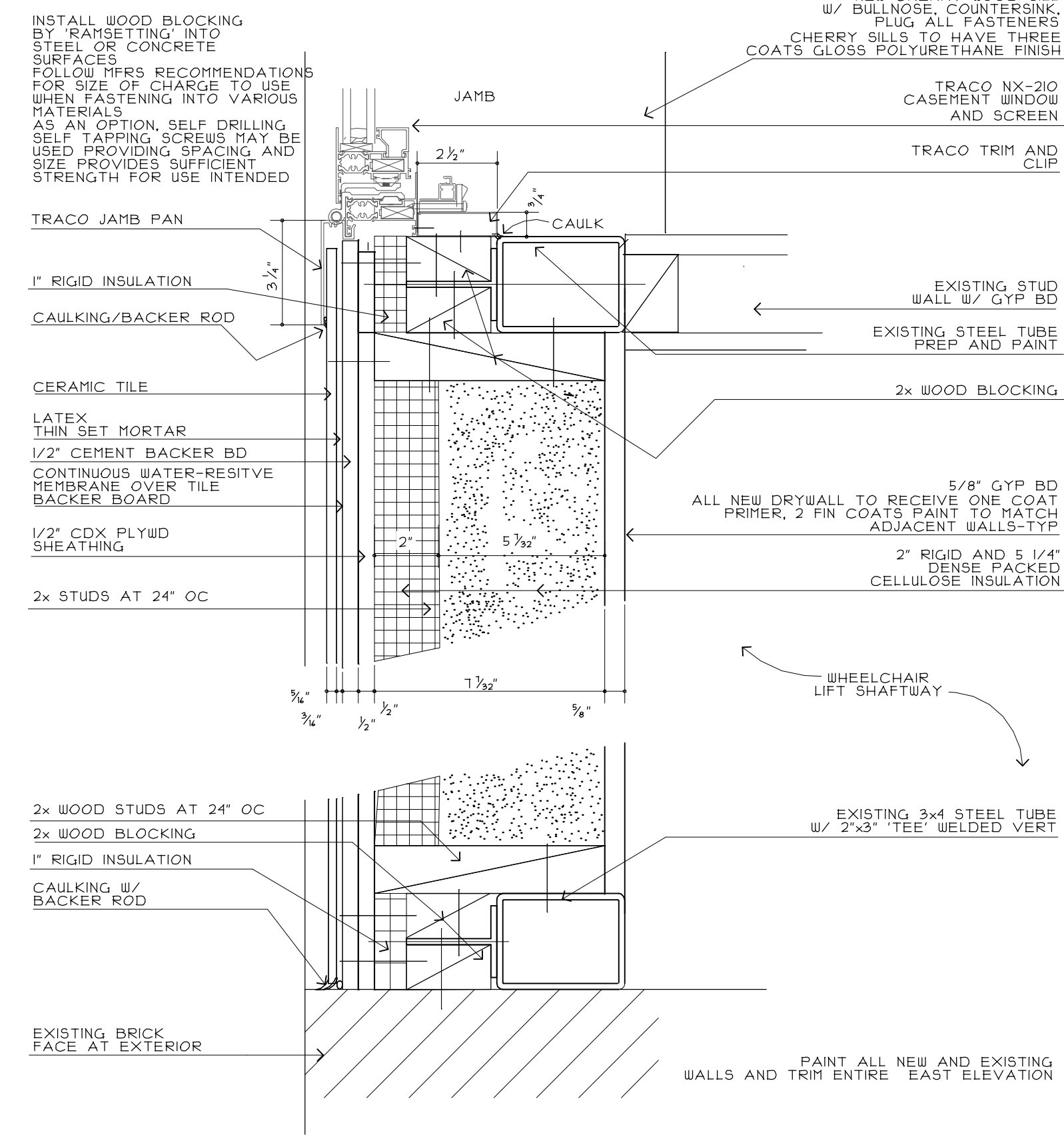
7 DETAIL AT NEW WINDOW JAMB

SCALE: 3/4"=1'-0"



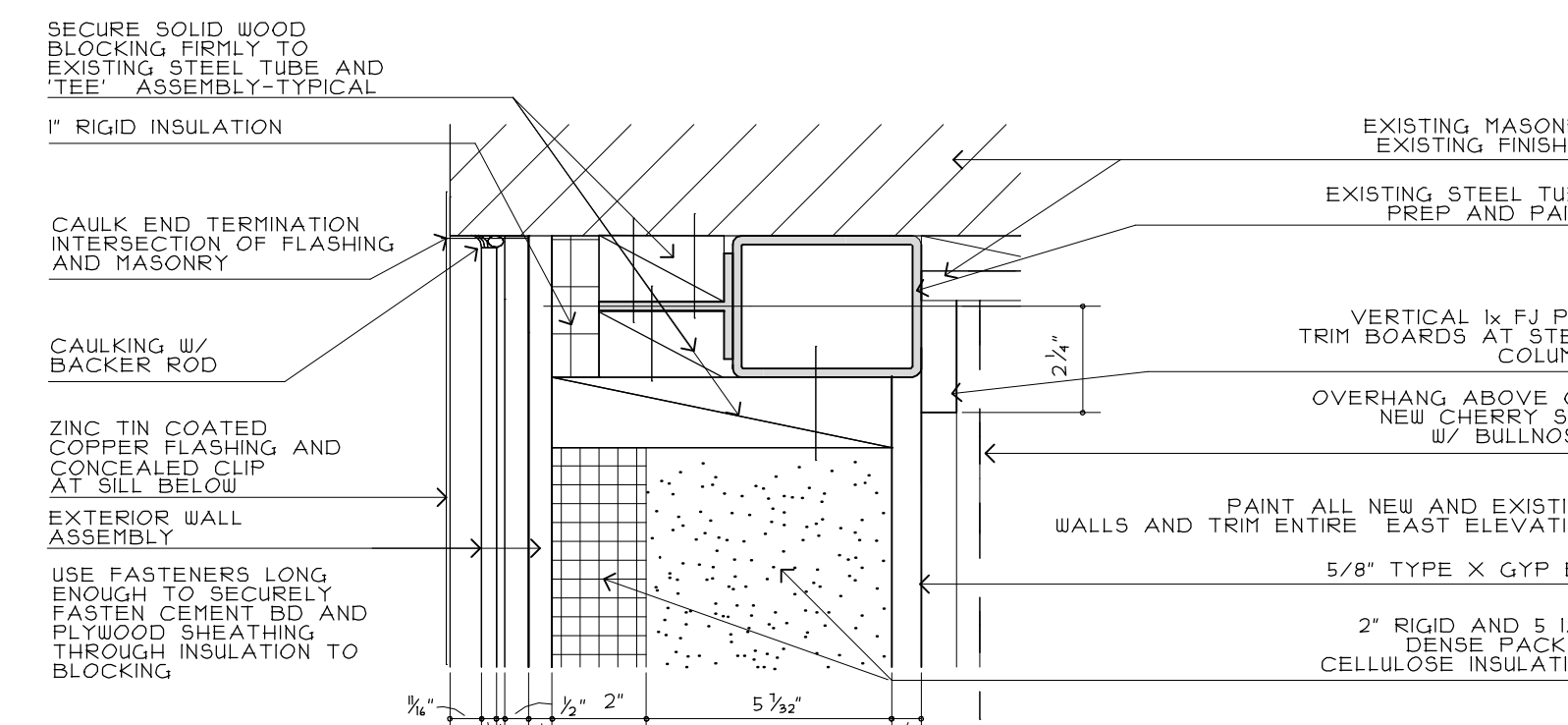
6 DETAIL AT NEW WINDOW JAMB

SCALE: 3/4"=1'-0"



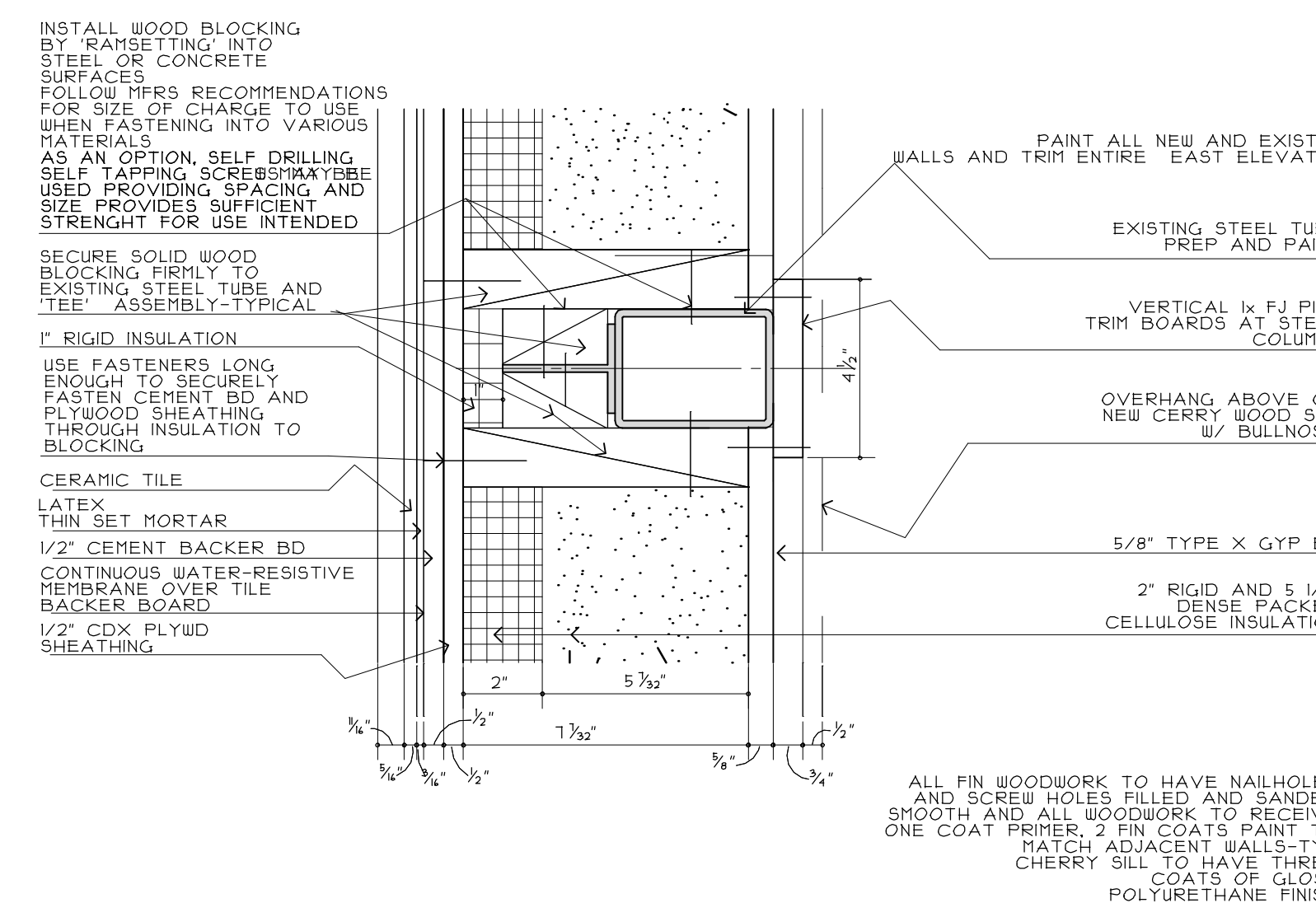
10 DETAIL OF WINDOW / TILE WALL CONDITION

SCALE: 3/4"=1'-0"



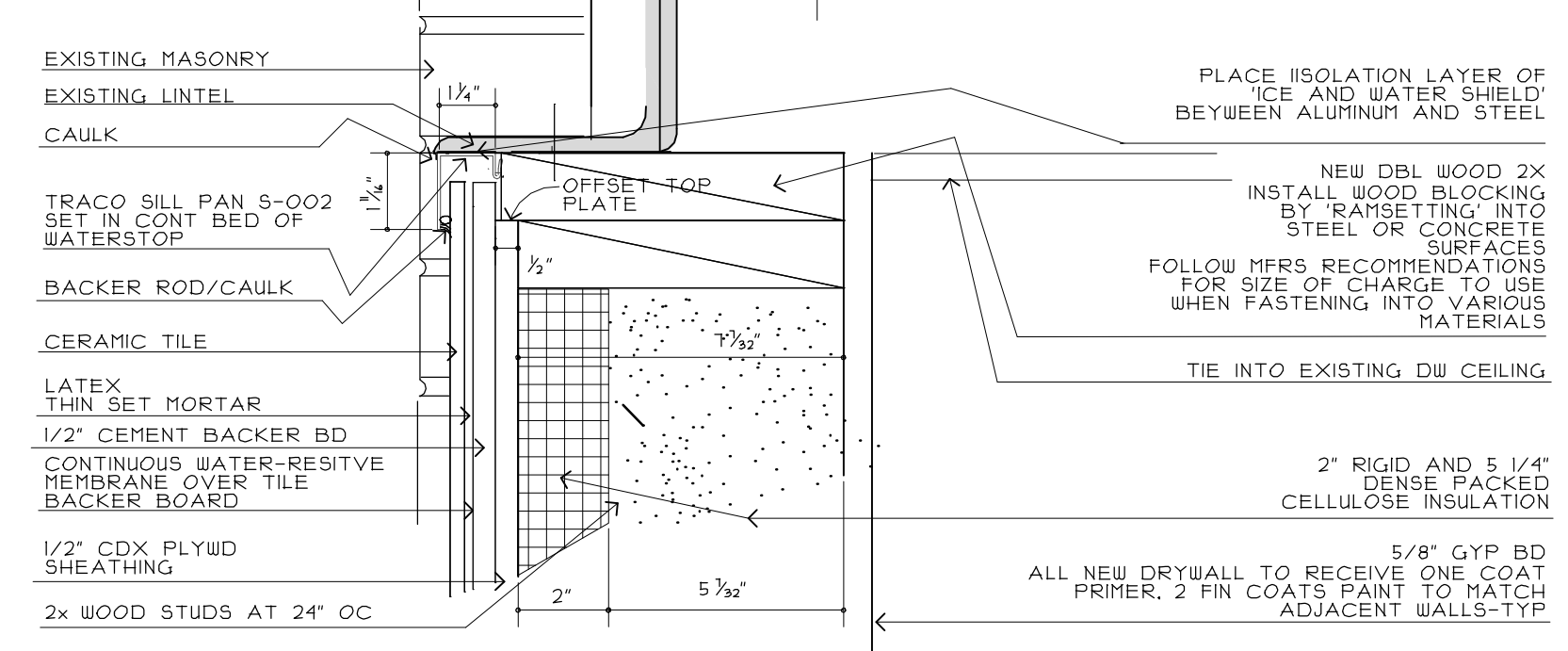
5 DETAIL AT NEW WALL BELOW WINDOWS AT MASONRY PIER

SCALE: 3/4"=1'-0"



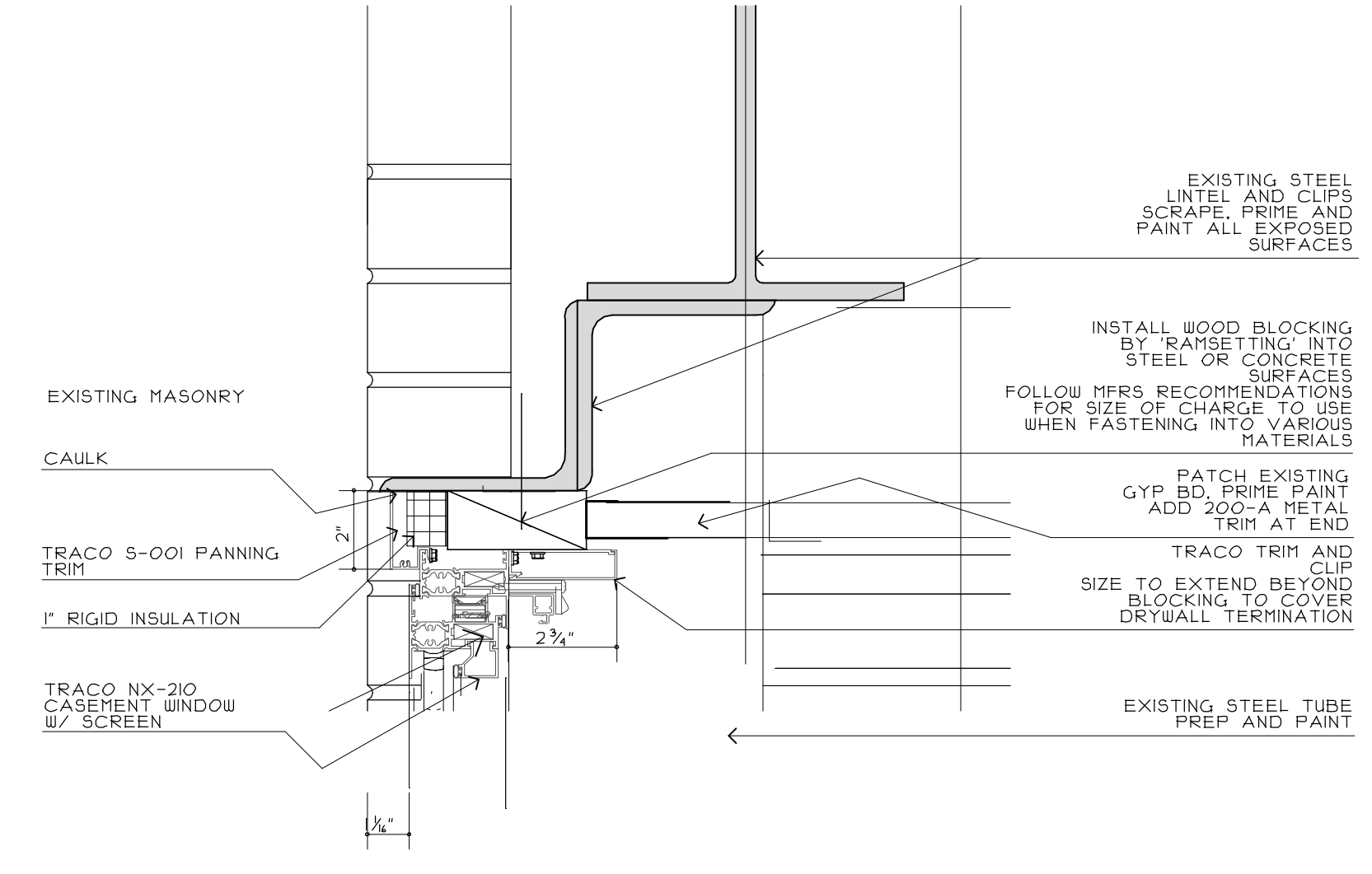
4 DETAIL AT NEW WALL BELOW WINDOWS

SCALE: 3/4"=1'-0"



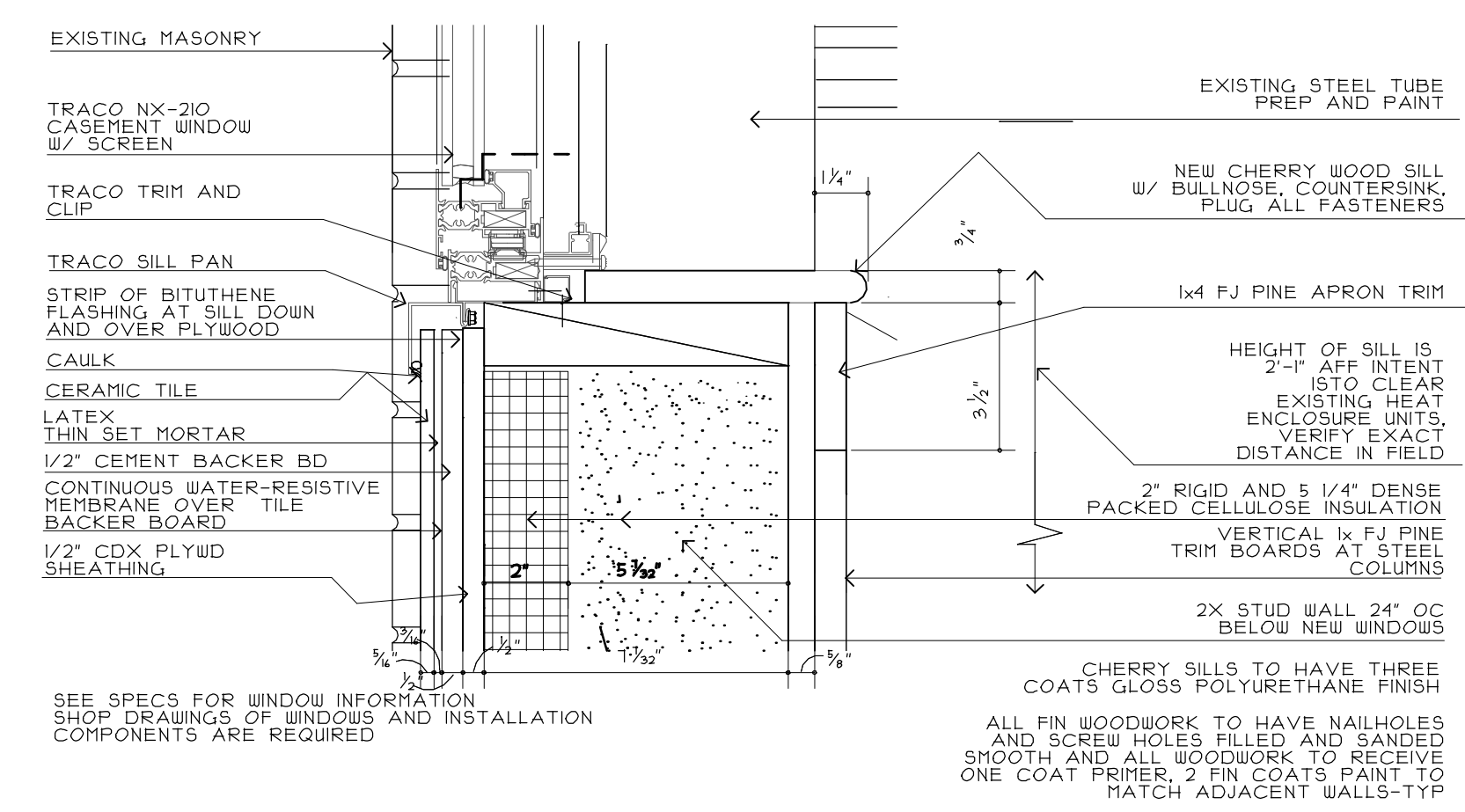
11 HEAD DETAIL TILED INFILL (LIFT AREA)

SCALE: 3/4"=1'-0"



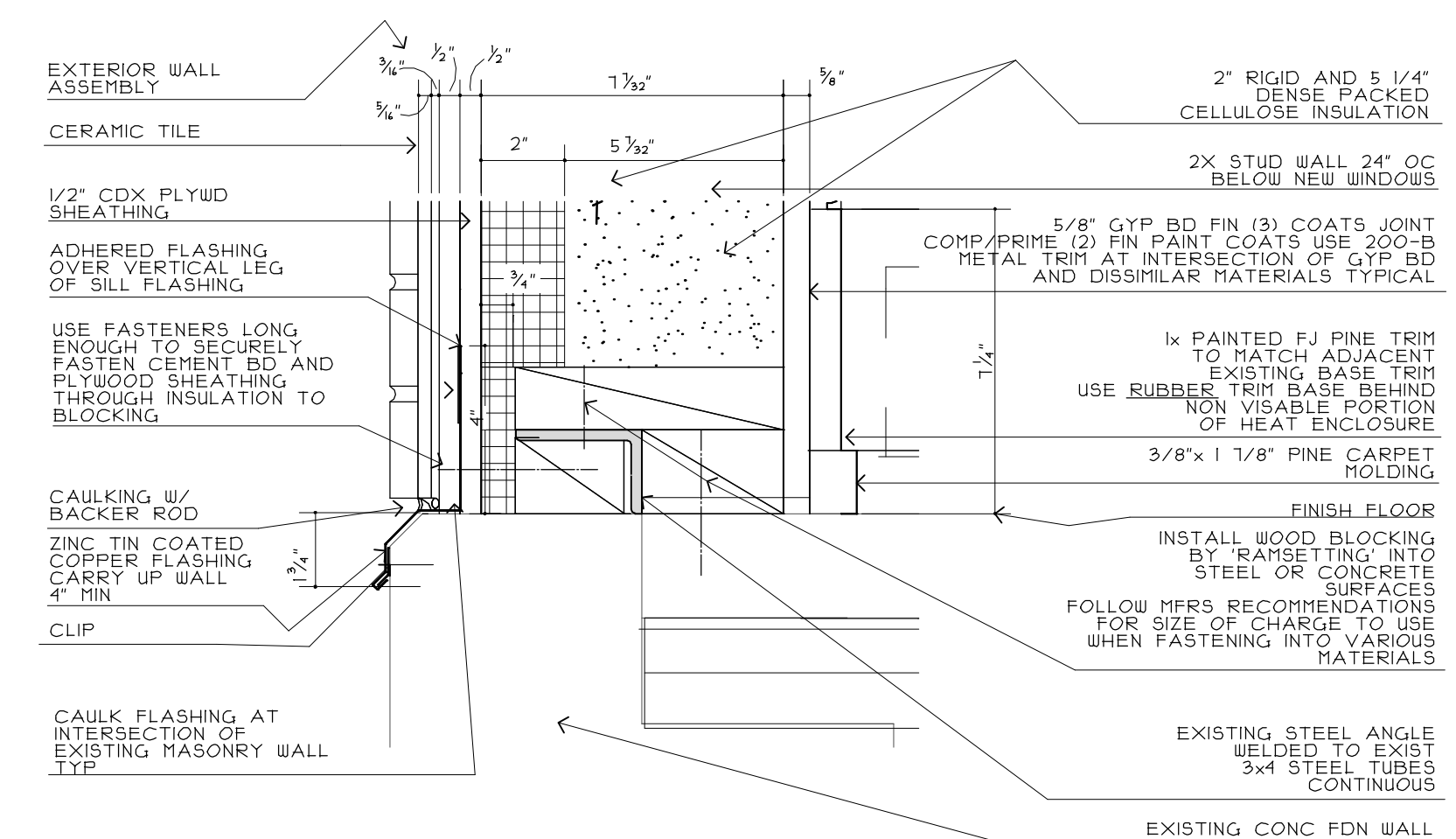
3 HEAD DETAIL CASEMENT WINDOW

SCALE: 3/4"=1'-0"



2 DETAIL OF WINDOW SILL

SCALE: 3/4"=1'-0"



1 SILL DETAIL AT NEW WALL

SCALE: 3/4"=1'-0"

GTA.2 architects
44 oak street
portland, maine 04101
207-771-5461 fax 774-0846

ISSUED
DECEMBER 9, 2012

revisions
date
DECEMBER 2012

sheet title
DETAILS

scale
AS NOTED
drawn by
SMT
project number
1228

sheet number
A3