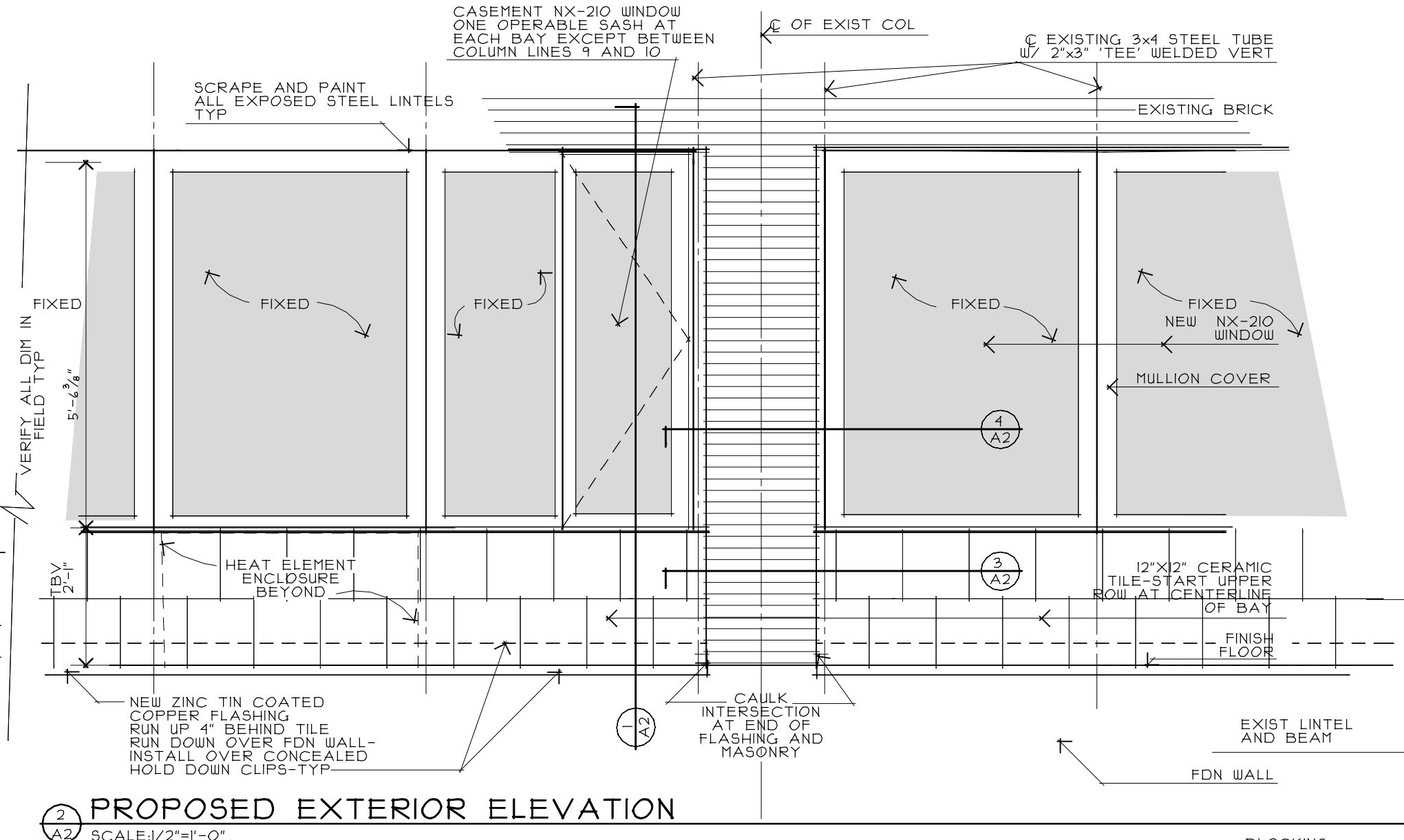
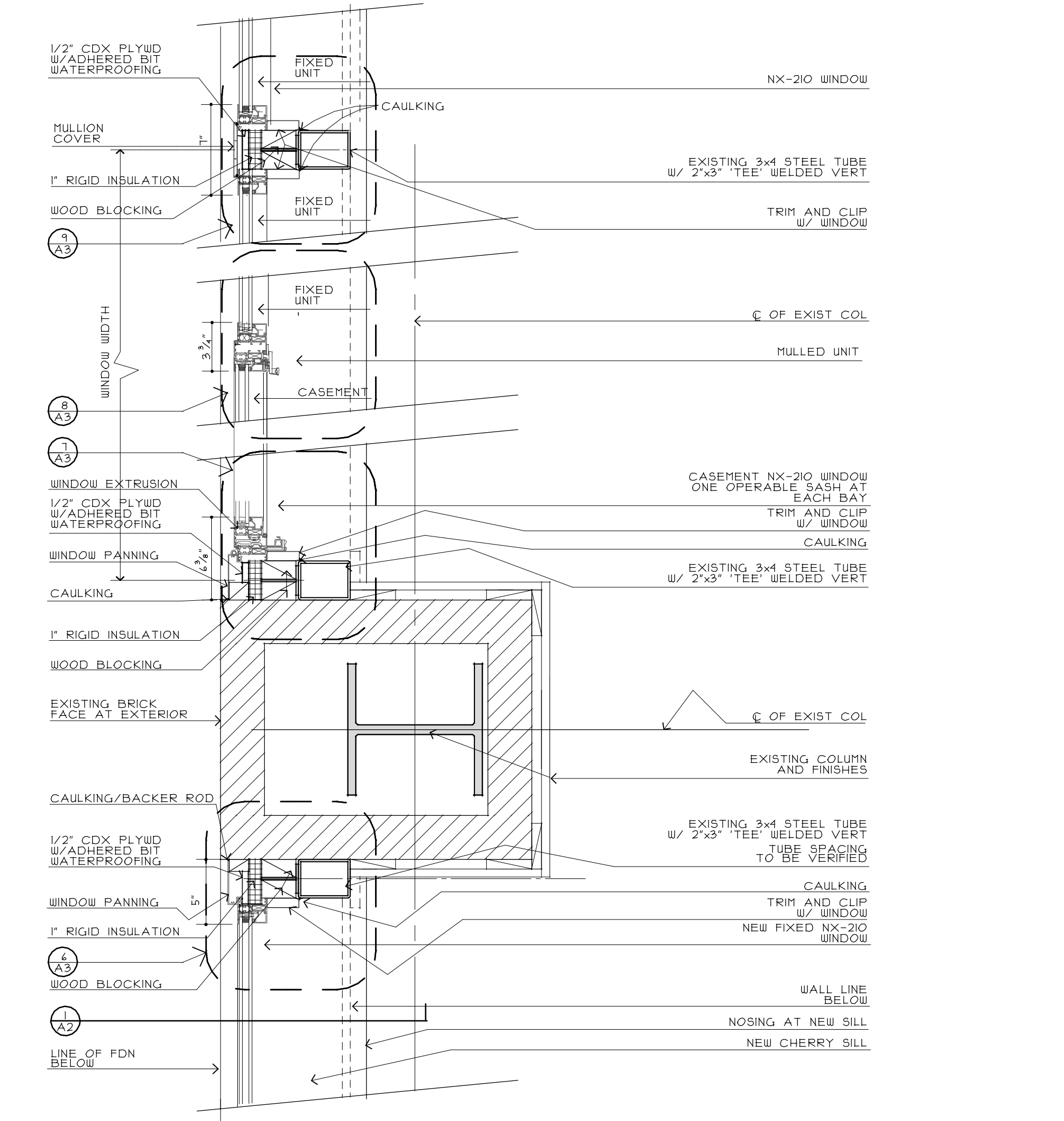


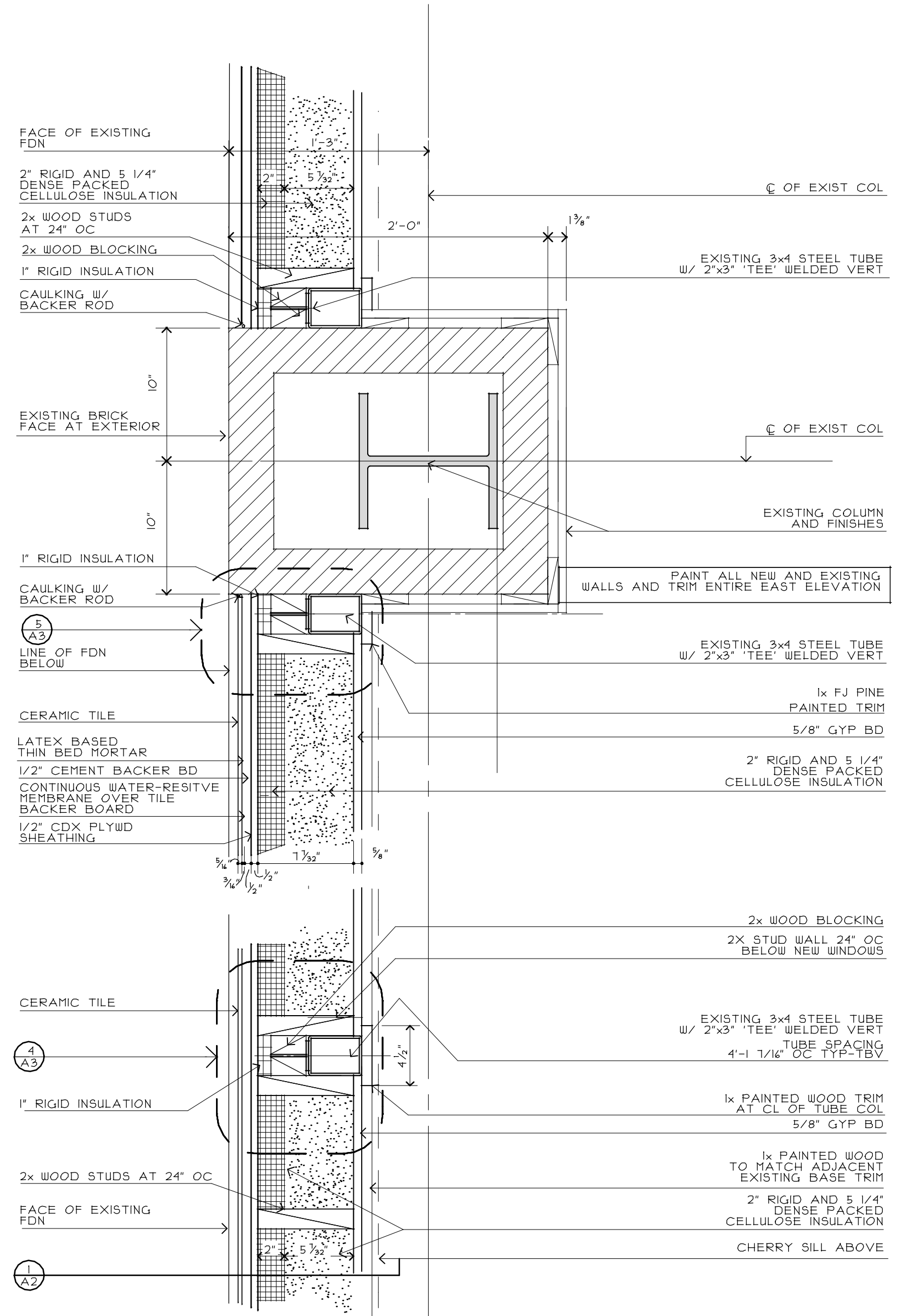
**5 PROPOSED INTERIOR ELEVATION**  
 SCALE: 1/2"=1'-0"



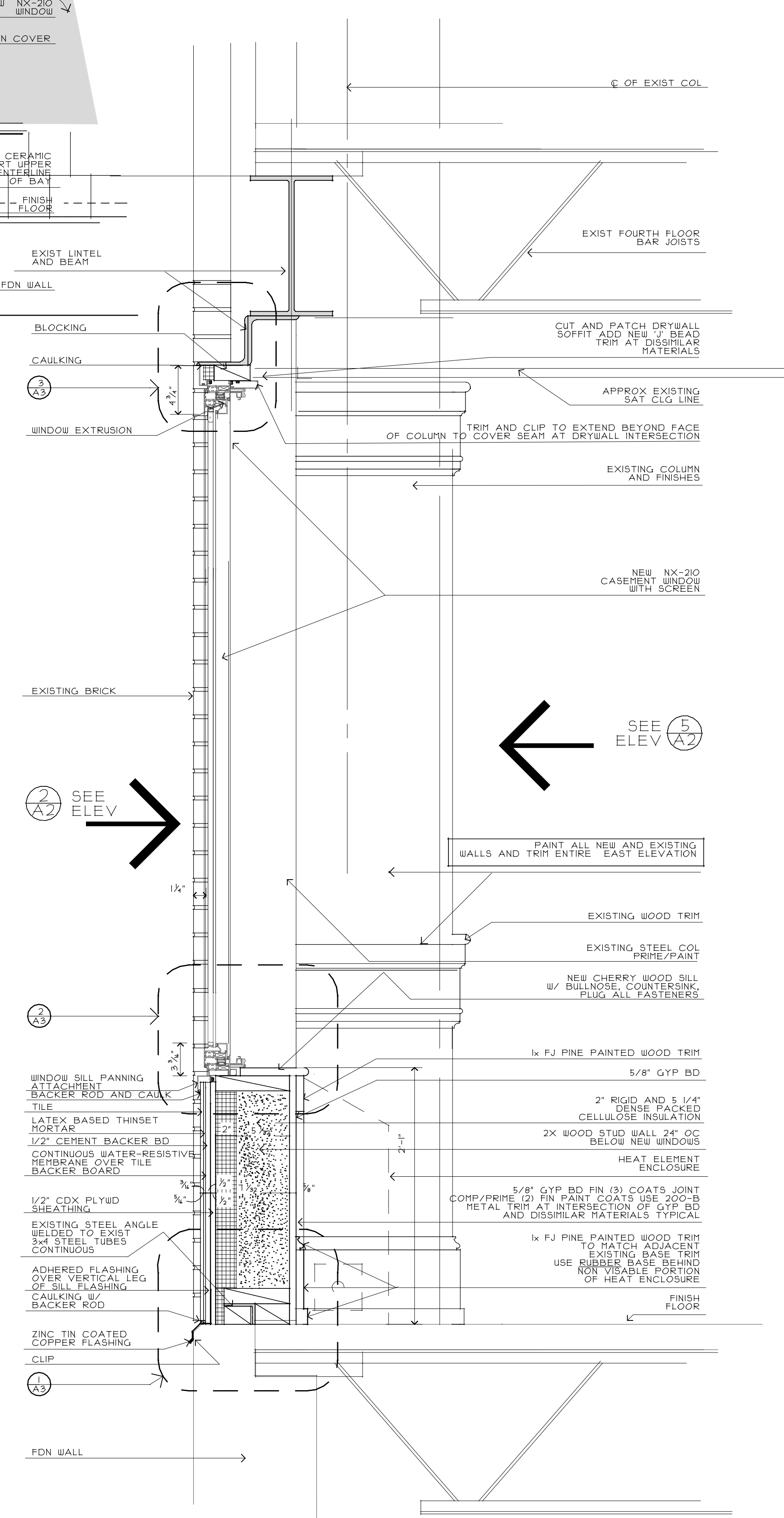
**2 PROPOSED EXTERIOR ELEVATION**  
 SCALE: 1/2"=1'-0"



**4 WINDOW JAMB DETAIL AT COLUMNS**  
 SCALE: 1/2"=1'-0"



**3 PLAN DETAIL AT WALL BELOW WINDOWS**  
 SCALE: 1/2"=1'-0"



**1 SECTION THROUGH WINDOW WALL**  
 SCALE: 1/2"=1'-0"

GTA.2 architects  
 44 oak street  
 portland, maine 04101  
 207-771-5461 fax 774-0846

ISSUED  
 DECEMBER 9, 2012

revisions  
 date  
 DECEMBER 2012

sheet title  
**DETAILS**

scale  
 AS NOTED

drawn by  
 SMT  
 project number  
 1228

sheet number  
**A2**