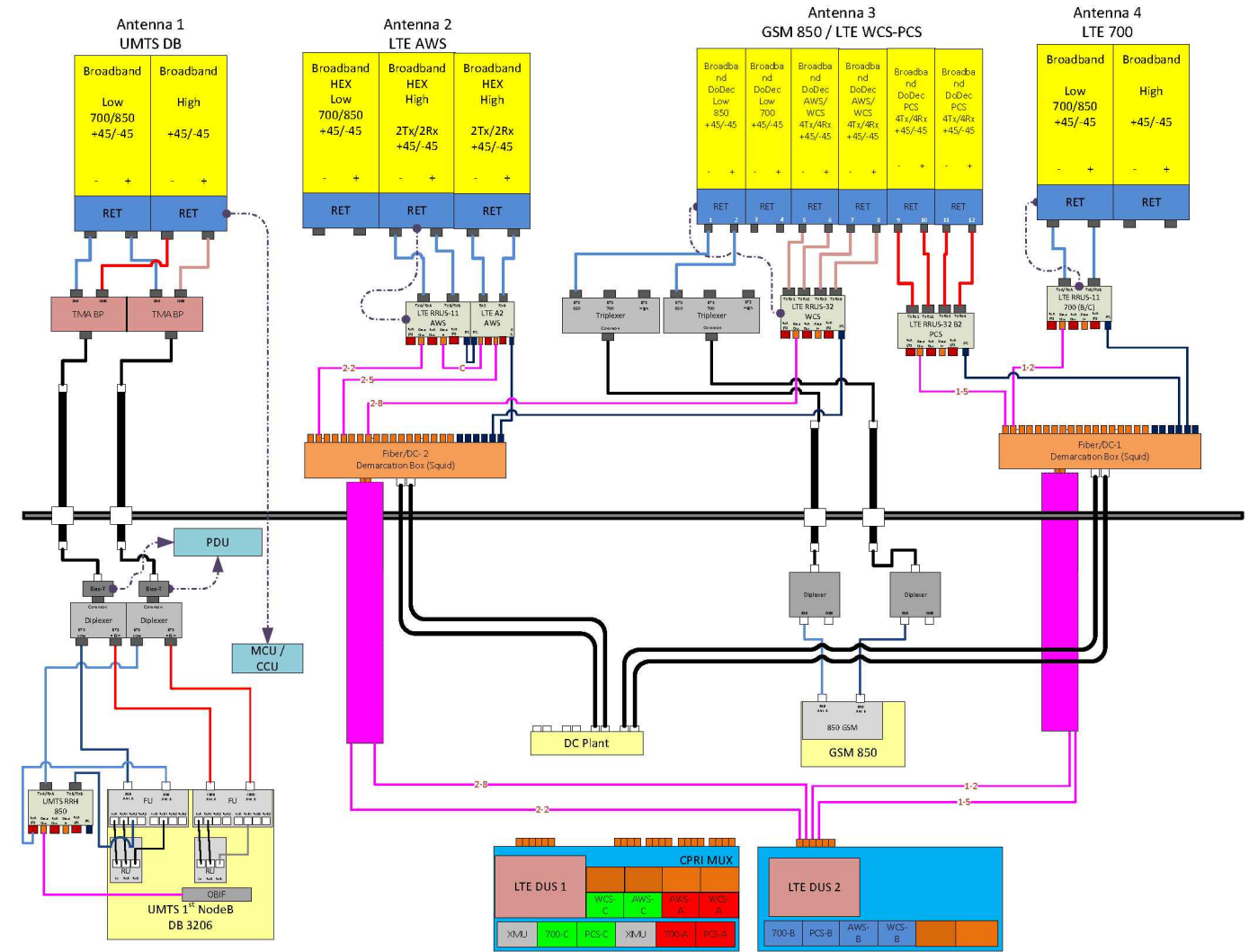


**RF PLUMBING DIAGRAM  
(ALPHA & GAMMA SECTORS)**

SCALE: N.T.S

1  
RF-1



**RF PLUMBING DIAGRAM  
(BETA SECTOR)**

SCALE: N.T.S

2  
RF-1

**NOTE:**  
1. CONTRACTOR TO CONFIRM ALL PARTS.  
2. INSTALL ALL EQUIPMENT TO MANUFACTURER'S RECOMMENDATIONS

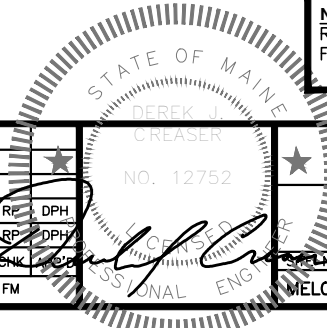
**NOTE:**  
REFER TO THE FINAL RF DATA SHEET FOR FINAL ANTENNA SETTINGS.



**SITE NUMBER: MEL05048**  
**SITE NAME: PORTLAND HARBOR TERRACE**  
284 DANFORTH STREET  
PORTLAND, ME 04102  
CUMBERLAND COUNTY



NO.	DATE	REVISIONS	BY
1	05/13/16	ISSUED FOR CONSTRUCTION	FM
0	02/18/16	ISSUED FOR REVIEW	FM



AT&T	
RF PLUMBING DIAGRAM	
LTE 4C	
DRAWING NUMBER	REV
MEL05048	RF-1

1600 OSGOOD STREET  
BUILDING 20 NORTH, SUITE 3090  
N. ANDOVER, MA 01845  
TEL: (978) 557-5553  
FAX: (978) 336-5586

1997 ANNAPOLIS EXCHANGE PKWY  
SUITE 200  
ANNAPOLIS, MD 21401

550 COCHITUATE ROAD  
FRAMINGHAM, MA 01701

SCALE: AS SHOWN  
DESIGNED BY: RP  
DRAWN BY: FM