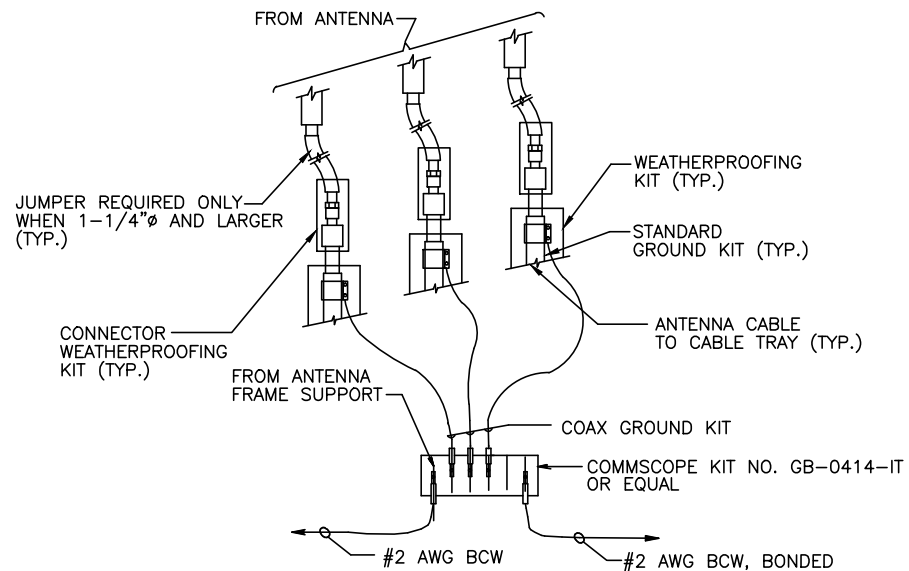
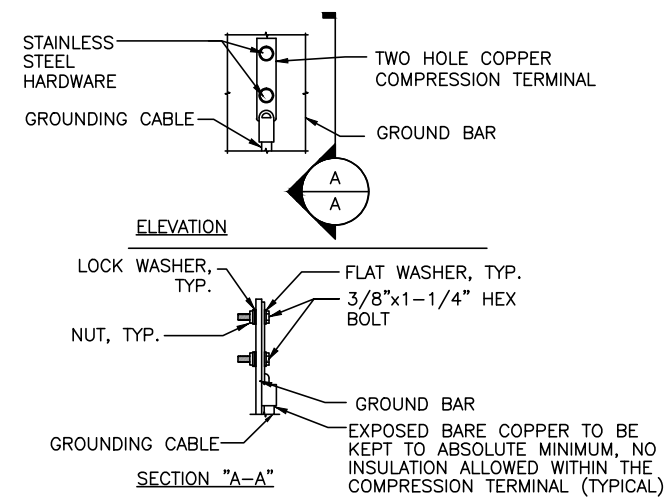


GROUNDING RISER DIAGRAM 1
SCALE: N.T.S. G-1



NOTE:
1. DO NOT INSTALL CABLE GROUND KIT AT A BEND AND ALWAYS DIRECT GROUND WIRE DOWN TO CIGBE.

GROUND WIRE TO GROUND BAR CONNECTION DETAIL 2
SCALE: N.T.S. G-1



NOTE:
1. "DOUBLING UP" OR "STACKING" OF CONNECTION IS NOT PERMITTED.
2. OXIDE INHIBITING COMPOUND TO BE USED AT ALL LOCATION.
3. CADWELD DOWNLEADS FROM UPPER EGB, LOWER EGB, AND MGB

TYPICAL GROUND BAR CONNECTION DETAIL 3
SCALE: N.T.S. G-1

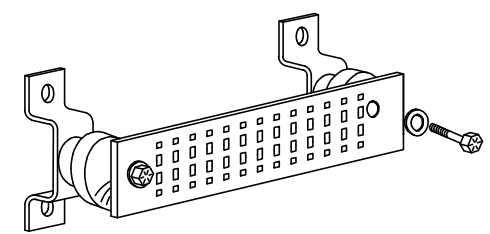
EACH GROUND CONDUCTOR TERMINATING ON ANY GROUND BAR SHALL HAVE AN IDENTIFICATION TAG ATTACHED AT EACH END THAT WILL IDENTIFY ITS ORIGIN AND DESTINATION.

SECTION "P" - SURGE PRODUCERS

- CABLE ENTRY PORTS (HATCH PLATES) (#2)
- GENERATOR FRAMEWORK (IF AVAILABLE) (#2)
- TELCO GROUND BAR
- COMMERCIAL POWER COMMON NEUTRAL/GROUND BOND (#2)
- +24V POWER SUPPLY RETURN BAR (#2)
- 48V POWER SUPPLY RETURN BAR (#2)
- RECTIFIER FRAMES.

SECTION "A" - SURGE ABSORBERS

- INTERIOR GROUND RING (#2)
- EXTERNAL EARTH GROUND FIELD (BURIED GROUND RING) (#2)
- METALLIC COLD WATER PIPE (IF AVAILABLE) (#2)
- BUILDING STEEL (IF AVAILABLE) (#2)



GROUND BAR - DETAIL 4
SCALE: N.T.S. G-1

Hudson Design Group
1600 OSGOOD STREET
BUILDING 20 NORTH, SUITE 3090
N. ANDOVER, MA 01845
TEL: (978) 557-5553
FAX: (978) 336-5586

smartlink
1997 ANNAPOLIS EXCHANGE PKWY
SUITE 200
ANNAPOLIS, MD 21401

SITE NUMBER: MEL05048
SITE NAME: PORTLAND HARBOR TERRACE
284 DANFORTH STREET
PORTLAND, ME 04102
CUMBERLAND COUNTY

at&t
550 COCHITUATE ROAD
FRAMINGHAM, MA 01701

| | | | | | | | | | | |
|----------------|----------|----------------|-------------------------|-----|-----------------|-----------------|--------------|---|--|-------------------|
| NO. | | DATE | REVISIONS | BY | SCALE: AS SHOWN | DESIGNED BY: RP | DRAWN BY: FM | STATE OF MAINE DEBEK J. CREASER NO. 12752 LICENSED PROFESSIONAL ENGINEER | | AT&T |
| 1 | 05/13/16 | | ISSUED FOR CONSTRUCTION | FM | | | | | | GROUNDING DETAILS |
| 0 | 02/18/16 | | ISSUED FOR REVIEW | FM | | | | | | LTE 4C |
| PROJECT NUMBER | | DRAWING NUMBER | | REV | | MEL05048 | | G-1 | | 1 |