

| EXISTING & PROPOSED ANTENNA SCHEDULE | | | | | | | |
|--------------------------------------|------------|-------------------|------------|---------|-----------|-------------------|------------------------------|
| SECTOR | TECHNOLOGY | EXISTING/PROPOSED | RAD CENTER | AZIMUTH | MAKE | MODEL# | SIZE (INCHES) (L x W x D) |
| ALPHA | UMTS | EXISTING | 86'-7"± | 30° | POWERWAVE | 7770 | 55.0x11.0x5.0 |
| | LTE | EXISTING | 86'-7"± | 30° | CCI | HPA-65R-BUU-H8 | 92.4x14.8x7.4 |
| | LTE | EXISTING | 86'-7"± | 30° | ANDREW | SBNH-1D6565C | 96.4x11.9x7.1 |
| | LTE 4C | PROPOSED | 86'-7"± | 30° | CCI | TPA-65R-LCUUUU-H8 | 96.0x14.4x8.6 |
| BETA | UMTS | EXISTING | 93'-3"± | 150° | POWERWAVE | 7770 | 55.0x11.0x5.0 |
| | LTE | EXISTING | 93'-3"± | 150° | CCI | HPA-65R-BUU-H8 | 92.4x14.8x7.4 |
| | LTE 4C | PROPOSED | 93'-3"± | 150° | CCI | TPA-65R-LCUUUU-H8 | 96.0x14.4x8.6 |
| | LTE | EXISTING | 93'-3"± | 150° | POWERWAVE | P65-17-XLH-RR | 96.0x12.0x6.0 |
| GAMMA | UMTS | EXISTING | 97'-3"± | 270° | POWERWAVE | 7770 | 55.0x11.0x5.0 |
| | LTE | EXISTING | 97'-3"± | 270° | CCI | HPA-65R-BUU-H8 | 92.4x14.8x7.4 |
| | LTE | EXISTING | 97'-3"± | 270° | ANDREW | SBNH-1D6565C | 96.4x11.9x7.1 |
| | LTE 4C | PROPOSED | 97'-3"± | 270° | CCI | TPA-65R-LCUUUU-H8 | 96.0x14.4x8.6 |

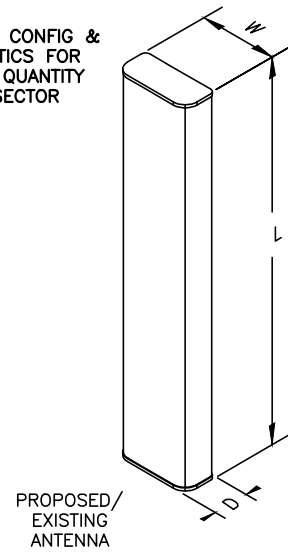
| EXISTING & PROPOSED RRU SCHEDULE | | | | |
|----------------------------------|-------------------|----------|---------|------------------------------|
| SECTOR | EXISTING/PROPOSED | MAKE | MODEL# | SIZE (INCHES) (L x W x D) |
| ALPHA | EXISTING | ERICSSON | RRUS-11 | 19.7x17.0x7.2 |
| | EXISTING | ERICSSON | RRUS-A2 | 16.4x15.2x3.4 |
| | EXISTING | ERICSSON | RRUS-11 | 19.7x17.0x7.2 |
| | PROPOSED | ERICSSON | RRUS-32 | 26.7x12.1x6.7 |
| BETA | EXISTING | ERICSSON | RRUS-11 | 19.7x17.0x7.2 |
| | EXISTING | ERICSSON | RRUS-A2 | 16.4x15.2x3.4 |
| | PROPOSED | ERICSSON | RRUS-32 | 26.7x12.1x6.7 |
| | EXISTING | ERICSSON | RRUS-11 | 19.7x17.0x7.2 |
| GAMMA | EXISTING | ERICSSON | RRUS-11 | 19.7x17.0x7.2 |
| | EXISTING | ERICSSON | RRUS-A2 | 16.4x15.2x3.4 |
| | EXISTING | ERICSSON | RRUS-11 | 19.7x17.0x7.2 |
| | PROPOSED | ERICSSON | RRUS-32 | 26.7x12.1x6.7 |

NOTE:
REFER TO THE FINAL RF DATA SHEET FOR FINAL ANTENNA SETTINGS.

NOTE:
REFER TO STRUCTURAL ANALYSIS BY: HUDSON DESIGN GROUP, LLC, DATED: APRIL 12, 2016, FOR THE CAPACITY OF THE EXISTING STRUCTURES TO SUPPORT THE PROPOSED EQUIPMENT.

NOTES:

1. REFER TO RF CONFIG & SECTOR SCHEMATICS FOR MODEL, TYPE & QUANTITY REQUIRED PER SECTOR



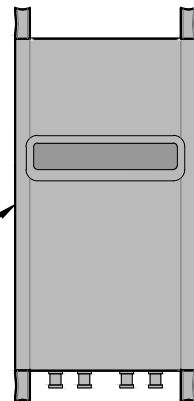
PROPOSED ANTENNA DETAIL
SCALE: N.T.S

1
A-5

NOTE:
SEE RFDS FOR RRH FREQUENCY AND MODEL NUMBER

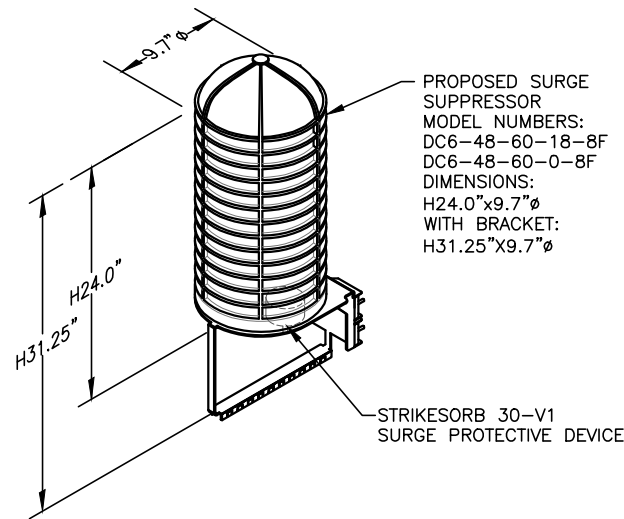
PROPOSED RRH REFER TO THE FINAL RFDS AND CHART FOR QUANTITY, MODEL AND DIMENSIONS

NOTE:
MOUNT PER MANUFACTURER'S SPECIFICATIONS.



PROPOSED RRH DETAIL
SCALE: N.T.S

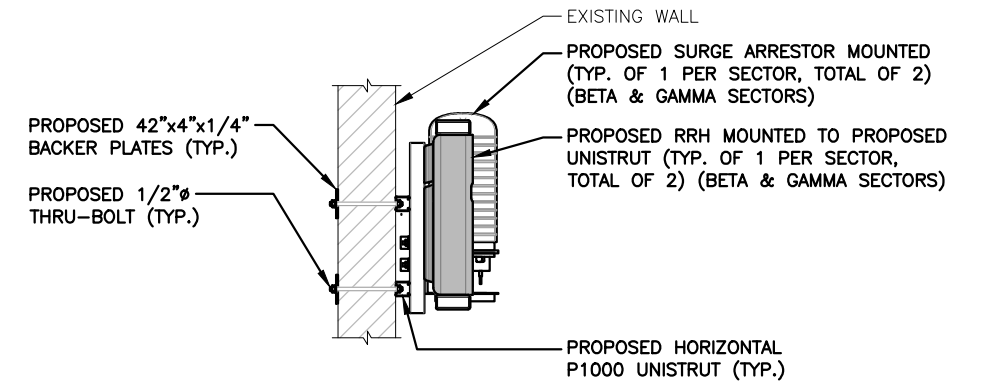
2
A-5



NOTE:
MOUNT PER MANUFACTURER'S SPECIFICATIONS.

DC SURGE SUPPRESSOR DETAIL
SCALE: N.T.S

3
A-5



PROPOSED RRH & SURGE ARRESTOR MOUNTING DETAIL (BETA & GAMMA SECTORS)

SCALE: N.T.S

4
A-5



SITE NUMBER: MEL05048
SITE NAME: PORTLAND HARBOR TERRACE
284 DANFORTH STREET
PORTLAND, ME 04102
CUMBERLAND COUNTY



| | | | | | | |
|------------------------------------|------|-----------------|--------------|-----|--|-------------------|
| 1 05/13/16 ISSUED FOR CONSTRUCTION | | FM | RP | DPH | STATE OF MAINE DEBEK & CREASER NO. 12752 LICENSED PROFESSIONAL ENGINEER | AT&T |
| 0 02/18/16 ISSUED FOR REVIEW | | FM | RP | DPH | | DETAILS LTE 4C |
| NO. | DATE | REVISIONS | BY | CHK | | |
| SCALE: AS SHOWN | | DESIGNED BY: RP | DRAWN BY: FM | | | |
| | | | | | SHEET NUMBER | DRAWING NUMBER |
| | | | | | MEL05048 | A-5 |
| | | | | | | 1 |