

PROPOSED SURGE SUPPRESSOR  
MODEL NUMBER:  
DC6-48-60-18  
DIMENSIONS:  
H20.06"xW18.17"xD6.37"

NOTE:  
MOUNT PER MANUFACTURER'S SPECIFICATIONS.

NOTE:  
SEE RFDS FOR RRH  
FREQUENCY AND  
MODEL NUMBER

PROPOSED RRH  
REFER TO THE FINAL RFDS  
AND CHART FOR QUANTITY,  
MODEL AND DIMENSIONS

	L	W	D
RRUS - 11	19.7"	17.0"	7.2"
LTE - A2	16.4"	15.2"	3.4"

PROPOSED A2  
REFER TO THE  
FINAL RFDS AND  
CHART FOR  
QUANTITY, MODEL  
AND DIMENSIONS

NOTE:  
MOUNT PER MANUFACTURER'S  
SPECIFICATIONS.

EXISTING ANTENNA SCHEDULE			
SECTOR	MAKE	MODEL#	SIZE (INCHES)
ALPHA:	POWERWAVE	7770	55.0X11.0X5.0
	ANDREW	SBNH-1D6565C	96.4X11.9X7.1
	POWERWAVE	7770	55.0X11.0X5.0
BETA:	POWERWAVE	7770	55.0X11.0X5.0
	POWERWAVE	7770	55.0X11.0X5.0
	POWERWAVE	P65-17-XLH-RR	96.0X12.0X6.0
GAMMA:	POWERWAVE	7770	55.0X11.0X5.0
	ANDREW	SBNH-1D6565C	96.4X11.9X7.1
	POWERWAVE	7770	55.0X11.0X5.0

PROPOSED ANTENNA SCHEDULE			
SECTOR	MAKE	MODEL#	SIZE (INCHES)
ALPHA:	POWERWAVE	7770	55.0X11.0X5.0
	CCI	HPA-65R-BUU-H8	92.4X14.8X7.4
	ANDREW	SBNH-1D6565C	96.4X11.9X7.1
BETA:	POWERWAVE	7770	55.0X11.0X5.0
	CCI	HPA-65R-BUU-H8	92.4X14.8X7.4
	POWERWAVE	7770	55.0X11.0X5.0
GAMMA:	POWERWAVE	7770	55.0X11.0X5.0
	CCI	HPA-65R-BUU-H8	92.4X14.8X7.4
	ANDREW	SBNH-1D6565C	96.4X11.9X7.1
GAMMA:	POWERWAVE	7770	55.0X11.0X5.0
	CCI	HPA-65R-BUU-H8	92.4X14.8X7.4
	ANDREW	SBNH-1D6565C	96.4X11.9X7.1

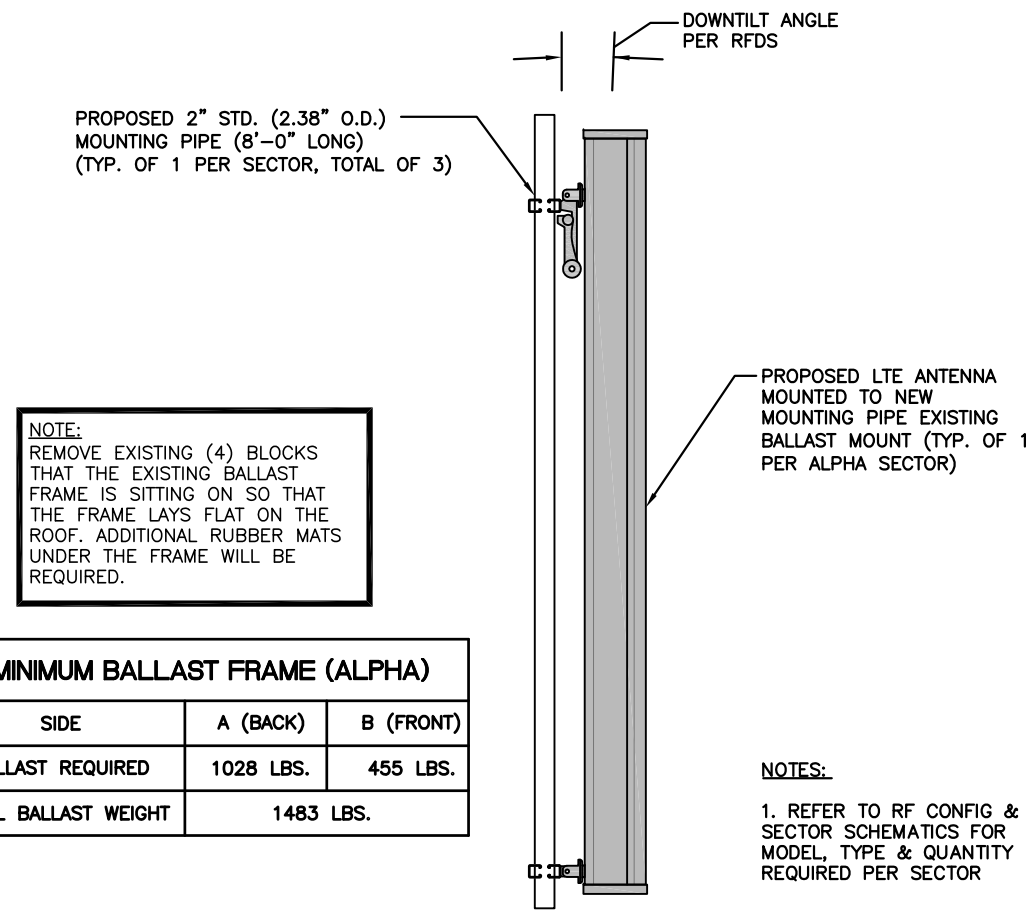
NOTE:  
PAINT ALL VISIBLE PROPOSED  
EQUIPMENT TO MATCH EXISTING  
SURROUNDINGS

NOTE:  
REFER TO THE FINAL RF DATA  
SHEET FOR FINAL ANTENNA  
SETTINGS.

NOTE:  
REFER TO STRUCTURAL ANALYSIS  
BY: HUDSON DESIGN GROUP, LLC,  
DATED: JULY 08, 2015,  
FOR THE CAPACITY OF THE  
EXISTING STRUCTURES TO SUPPORT  
THE PROPOSED EQUIPMENT.

**PROPOSED SURGE ARRESTOR DETAIL**  
SCALE: N.T.S.

**PROPOSED RRH DETAIL**  
SCALE: N.T.S.



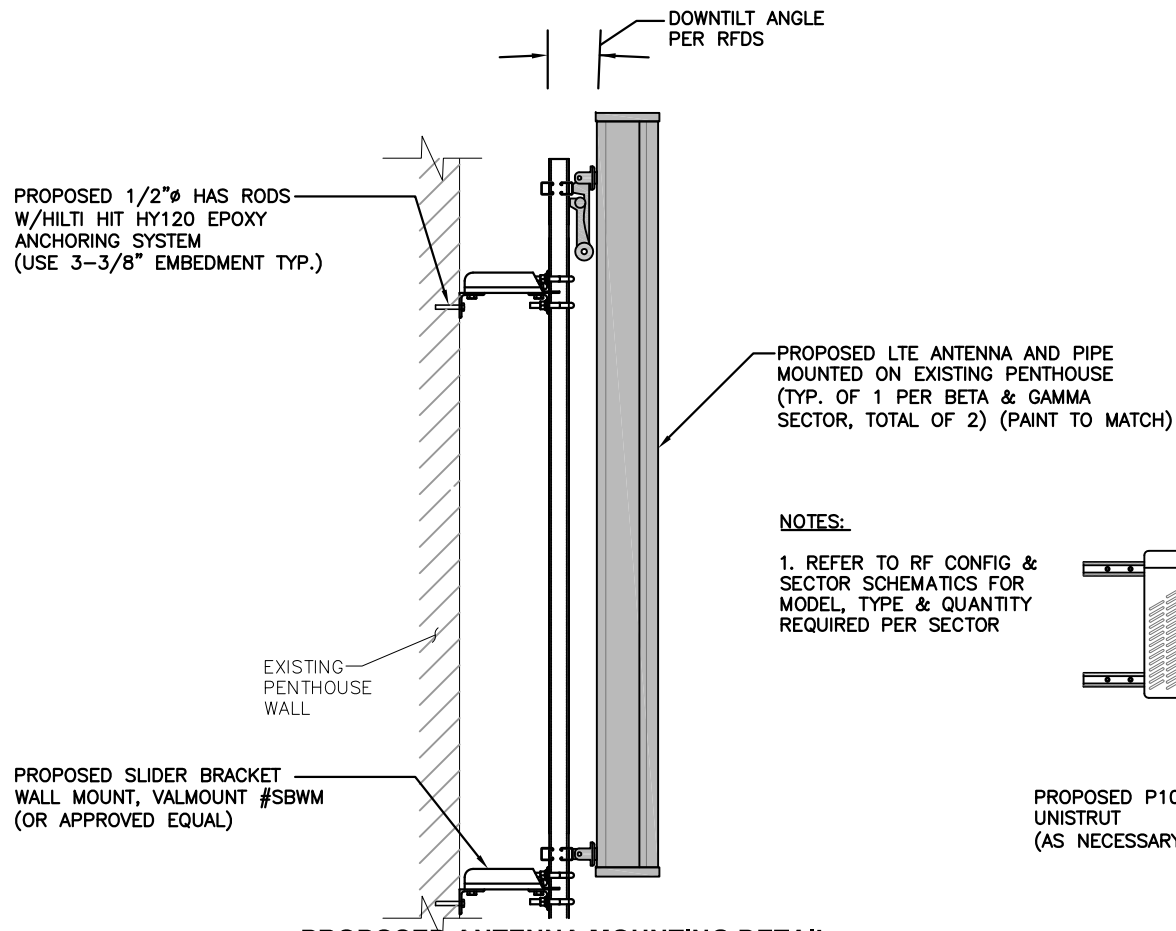
PROPOSED LTE ANTENNA  
MOUNTED TO NEW  
MOUNTING PIPE EXISTING  
BALLAST MOUNT (TYP. OF 1  
PER ALPHA SECTOR)

NOTE:  
REMOVE EXISTING (4) BLOCKS  
THAT THE EXISTING BALLAST  
FRAME IS SITTING ON SO THAT  
THE FRAME LAYS FLAT ON THE  
ROOF. ADDITIONAL RUBBER MATS  
UNDER THE FRAME WILL BE  
REQUIRED.

NOTES:  
1. REFER TO RF CONFIG &  
SECTOR SCHEMATICS FOR  
MODEL, TYPE & QUANTITY  
REQUIRED PER SECTOR

MINIMUM BALLAST FRAME (ALPHA)		
SIDE	A (BACK)	B (FRONT)
BALLAST REQUIRED	1028 LBS.	455 LBS.
TOTAL BALLAST WEIGHT	1483 LBS.	

**PROPOSED ANTENNA MOUNTING DETAIL  
(ALPHA SECTOR)**  
SCALE: N.T.S.



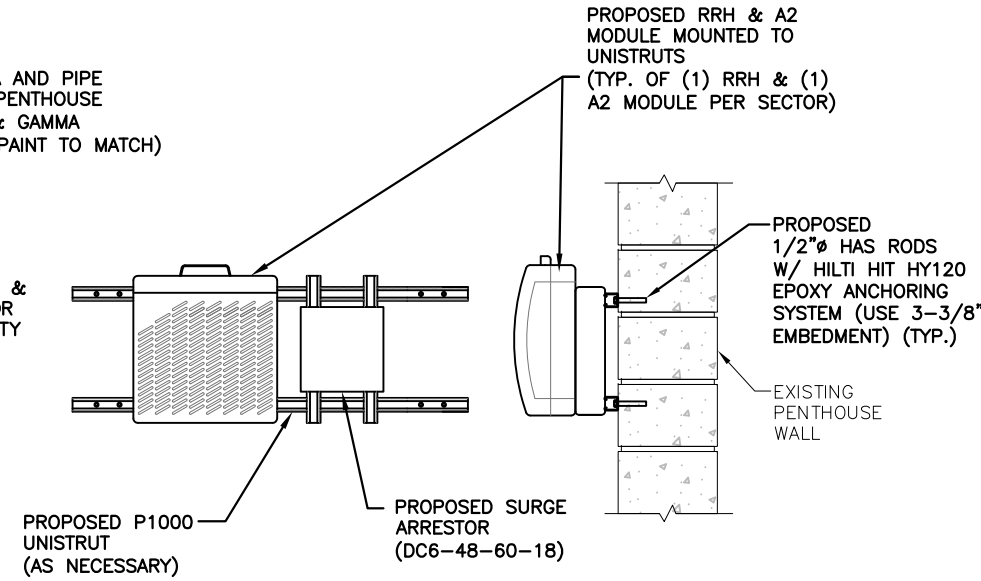
PROPOSED 1/2" HAS RODS  
W/HILTI HIT HY120 EPOXY  
ANCHORING SYSTEM  
(USE 3-3/8" EMBEDMENT TYP.)

PROPOSED LTE ANTENNA AND PIPE  
MOUNTED ON EXISTING PENTHOUSE  
(TYP. OF 1 PER BETA & GAMMA  
SECTOR, TOTAL OF 2) (PAINT TO MATCH)

NOTES:  
1. REFER TO RF CONFIG &  
SECTOR SCHEMATICS FOR  
MODEL, TYPE & QUANTITY  
REQUIRED PER SECTOR

PROPOSED SLIDER BRACKET  
WALL MOUNT, VALMOUNT #SBWM  
(OR APPROVED EQUAL)

**PROPOSED ANTENNA MOUNTING DETAIL  
(BETA & GAMA SECTOR)**  
SCALE: N.T.S.



PROPOSED RRH & A2  
MODULE MOUNTED TO  
UNISTRUTS  
(TYP. OF (1) RRH & (1)  
A2 MODULE PER SECTOR)

PROPOSED  
1/2" HAS RODS  
W/ HILTI HIT HY120  
EPOXY ANCHORING  
SYSTEM (USE 3-3/8"  
EMBEDMENT) (TYP.)

PROPOSED P1000  
UNISTRUT  
(AS NECESSARY)

PROPOSED SURGE  
ARRESTOR  
(DC6-48-60-18)

**PROPOSED RRH / SURGE ARRESTOR  
MOUNTING DETAIL**  
SCALE: N.T.S.

**Hudson Design Group**  
1600 OSGOOD STREET  
BUILDING 20 NORTH, SUITE 3090  
N. ANDOVER, MA 01845  
TEL: (978) 557-5553  
FAX: (978) 336-5586

**SAI**  
27 NORTHWESTERN DR.  
SALEM, NH 03079

**SITE NUMBER: ME5048**  
**SITE NAME: PORTLAND HARBOR TERRACE**  
284 DANFORTH ST.  
PORTLAND, ME 04102  
CUMBERLAND COUNTY

**at&t**  
550 COCHITUATE ROAD  
FRAMINGHAM, MA 01701

NO.	DATE	REVISIONS	BY	CHK	APP'D
1	07/08/15	ISSUED FOR CONSTRUCTION	SG	AT	DPH
0	06/25/15	ISSUED FOR REVIEW	MR	AT	DPH
A	05/27/15	ISSUED FOR REVIEW	MR	AT	DPH

SCALE: AS SHOWN    DESIGNED BY: AT    DRAWN BY: MR

**AT&T**  
DETAILS  
(LTE-3C)

5048.00    A-4    1