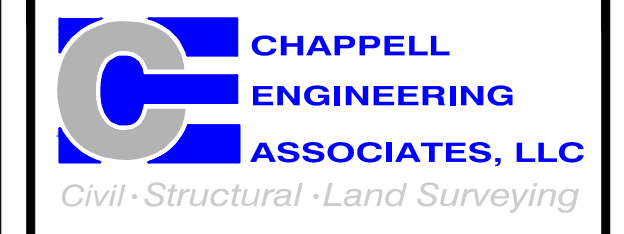
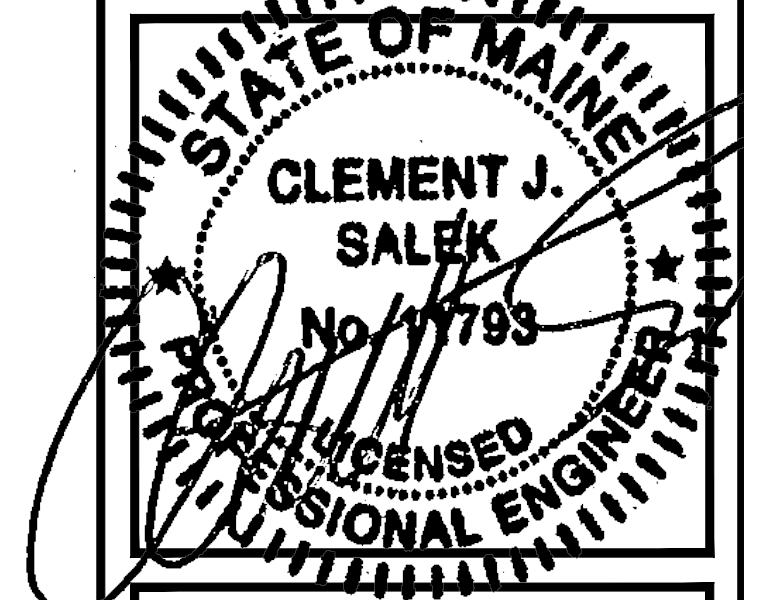


T-MOBILE NORTHEAST LLC  
 15 COMMERCE WAY, SUITE B  
 NORTON, MA 02766  
 OFFICE: (508) 286-2700  
 FAX: (508) 286-2893



R.K. EXECUTIVE CENTRE  
 201 BOSTON POST ROAD WEST  
 SUITE 301  
 MARLBOROUGH, MA 01752  
 (508) 481-7400  
 www.chappellengineering.com



APPROVALS  
 LANDLORD \_\_\_\_\_  
 LEASING \_\_\_\_\_  
 R.F. \_\_\_\_\_  
 ZONING \_\_\_\_\_  
 CONSTRUCTION \_\_\_\_\_  
 A/E \_\_\_\_\_

PROJECT NO: 4PB-0360-A

DRAWN BY: CMC

CHECKED BY: JMT

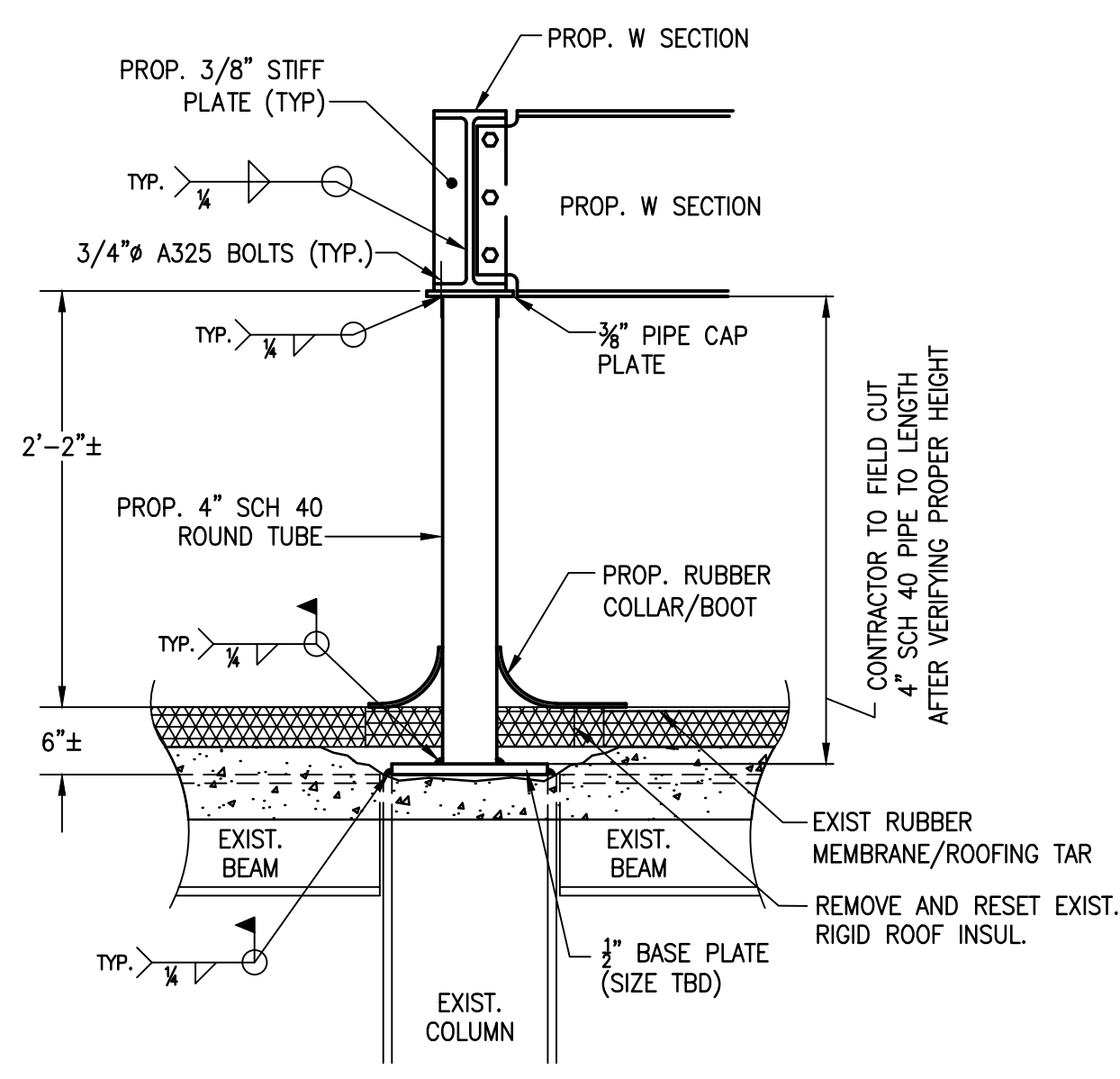
SUBMITTALS		
0	11/24/14	ISSUED FOR REVIEW

THIS DOCUMENT IS THE CREATION, DESIGN, PROPERTY AND COPYRIGHTED WORK OF T-MOBILE NORTHEAST, LLC. ANY DUPLICATION OR USE WITHOUT EXPRESS WRITTEN CONSENT IS STRICTLY PROHIBITED. DUPLICATION AND USE BY GOVERNMENT AGENCIES FOR THE PURPOSES OF CONDUCTING THEIR LAWFULLY AUTHORIZED REGULATORY AND ADMINISTRATIVE FUNCTIONS IS SPECIFICALLY ALLOWED.

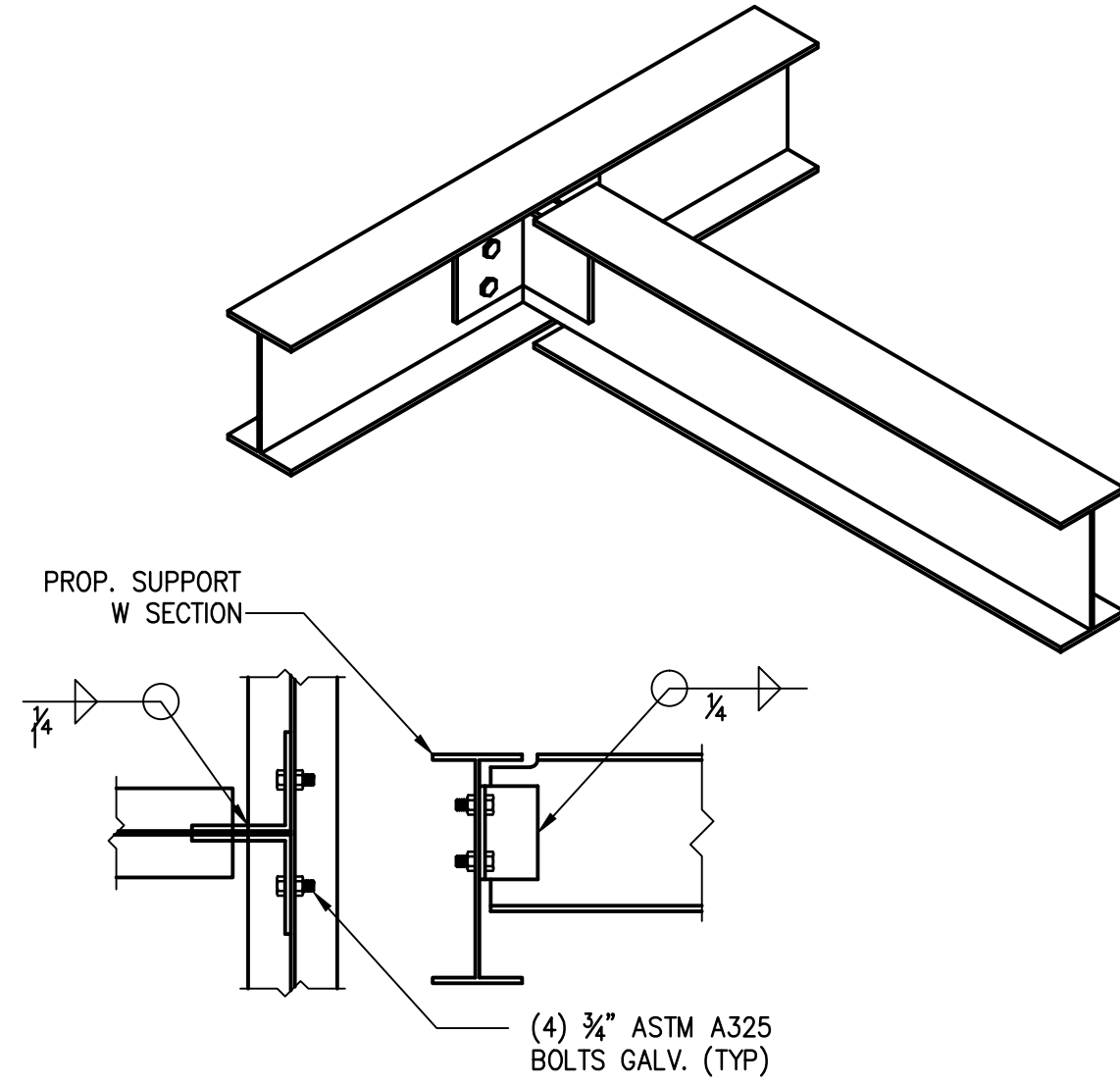
4PB-0360-A  
 HARBOR TERRACE  
 284 DANFORTH STREET  
 PORTLAND, ME 04102

SHEET TITLE  
 STRUCTURAL SECTIONS  
 & DETAILS

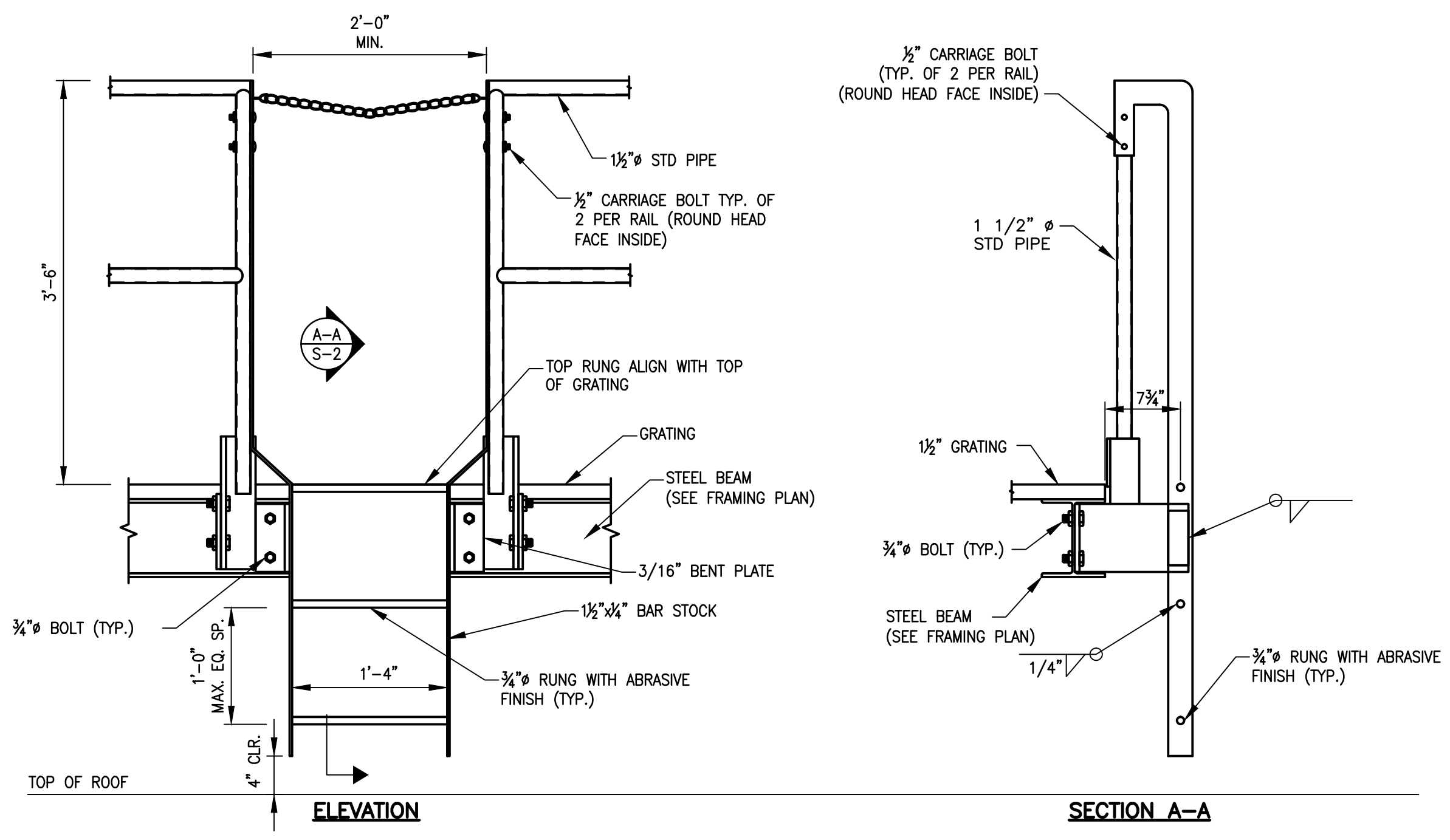
SHEET NUMBER  
 S-2



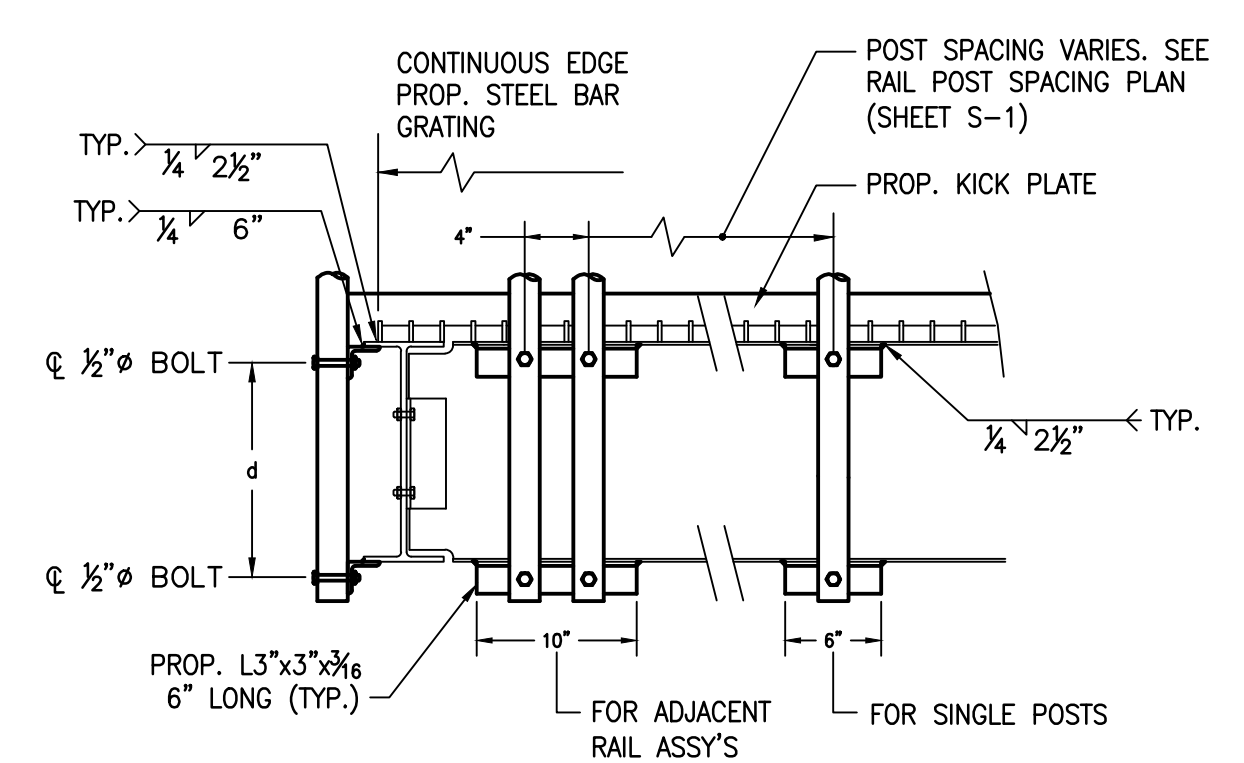
**PENETRATION DETAIL 1**  
 SCALE: NOT TO SCALE



**TYPICAL BEAM TO BEAM CONN. 2**  
 SCALE: NOT TO SCALE

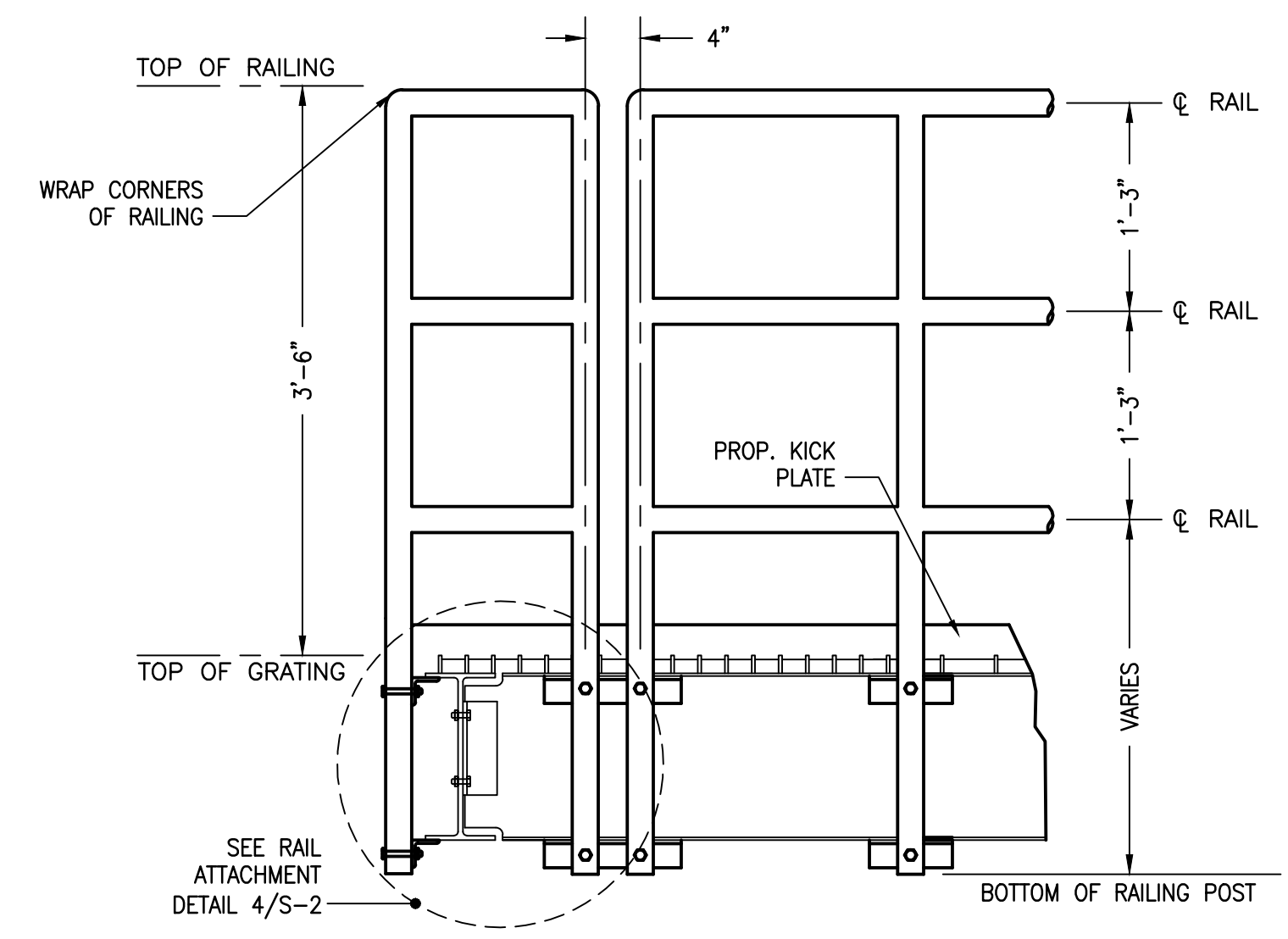


**LADDER DETAIL 3**  
 SCALE: NOT TO SCALE



NOTE: WHERE ADJACENT RAILING ASSEMBLIES MOUNT TO STEEL PLATFORM, ATTACHMENT TO PROPOSED BEAMS SHALL UTILIZE A SINGLE 10\"/>

**HANDRAIL ATTACHMENT DETAIL 4**  
 SCALE: NOT TO SCALE



**RAILING ELEVATION DETAIL 5**  
 SCALE: NOT TO SCALE