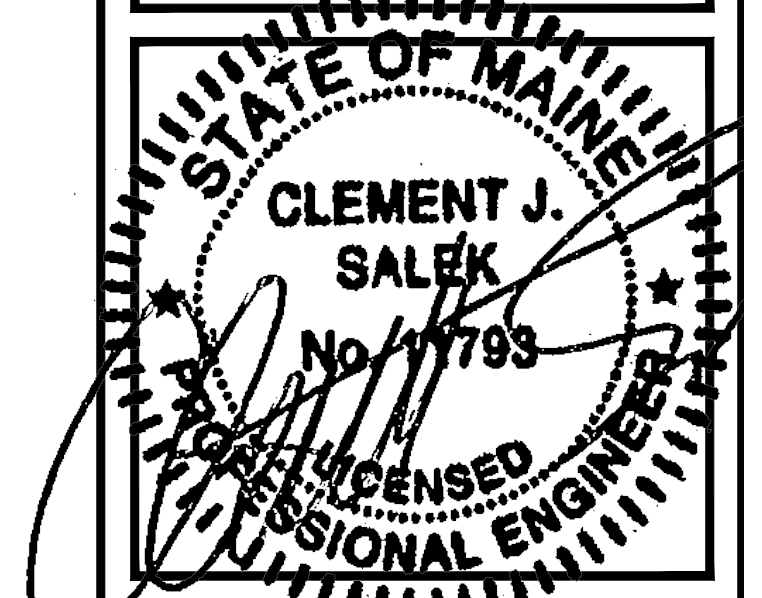


T-MOBILE NORTHEAST LLC
 15 COMMERCE WAY, SUITE B
 NORTON, MA 02766
 OFFICE: (508) 286-2700
 FAX: (508) 286-2893



R.K. EXECUTIVE CENTRE
 201 BOSTON POST ROAD WEST
 SUITE 301
 MARLBOROUGH, MA 01752
 (508) 481-7400
 www.chappellengineering.com



APPROVALS

LANDLORD _____
 LEASING _____
 R.F. _____
 ZONING _____
 CONSTRUCTION _____
 A/E _____

PROJECT NO: 4PB-0360-A

DRAWN BY: CMC

CHECKED BY: JMT

SUBMITTALS

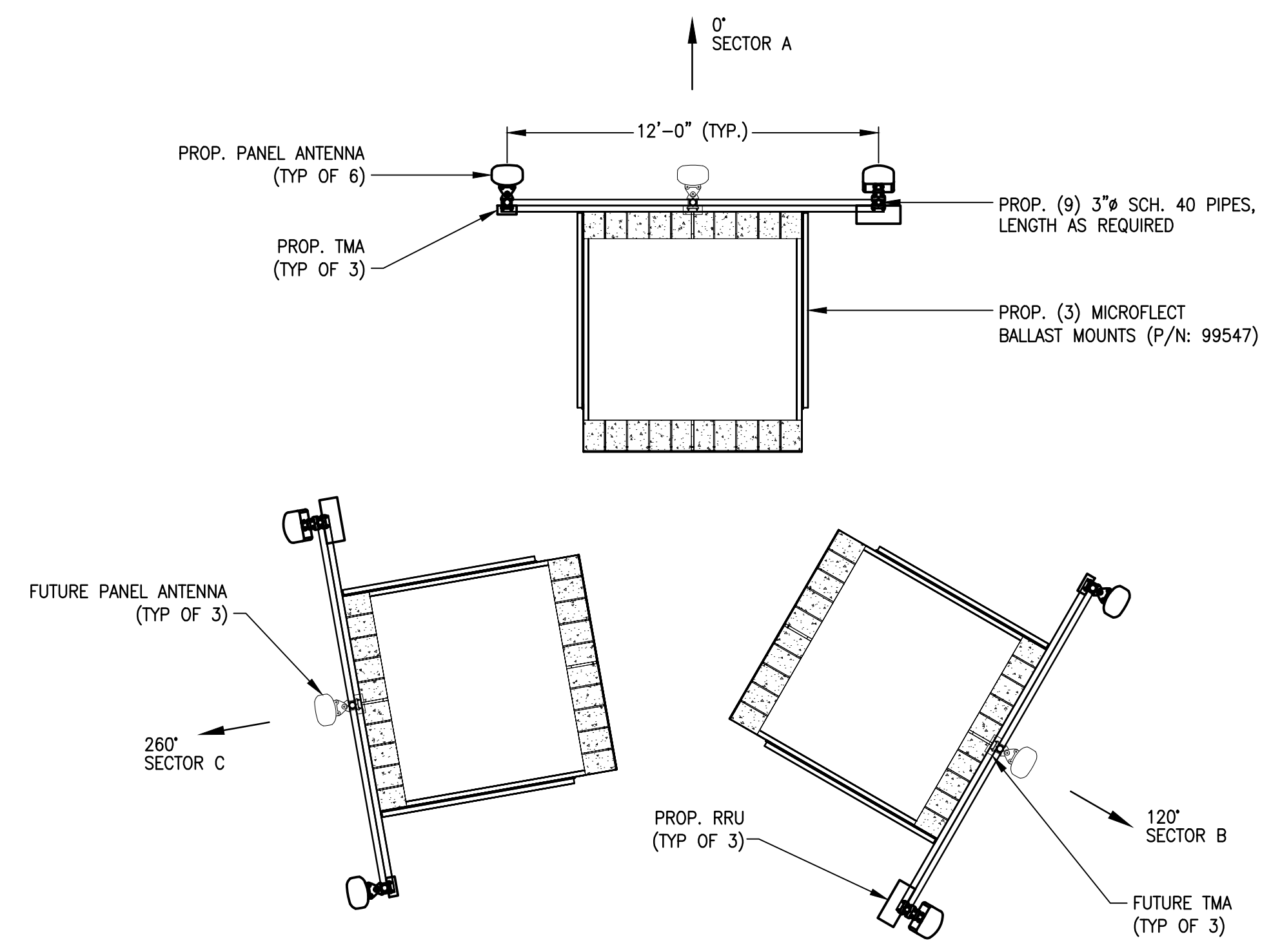
0	11/24/14	ISSUED FOR REVIEW
---	----------	-------------------

THIS DOCUMENT IS THE CREATION, DESIGN, PROPERTY AND COPYRIGHTED WORK OF T-MOBILE NORTHEAST, LLC. ANY DUPLICATION OR USE WITHOUT EXPRESS WRITTEN CONSENT IS STRICTLY PROHIBITED. DUPLICATION AND USE BY GOVERNMENT AGENCIES FOR THE PURPOSES OF CONDUCTING THEIR LAWFULLY AUTHORIZED REGULATORY AND ADMINISTRATIVE FUNCTIONS IS SPECIFICALLY ALLOWED.

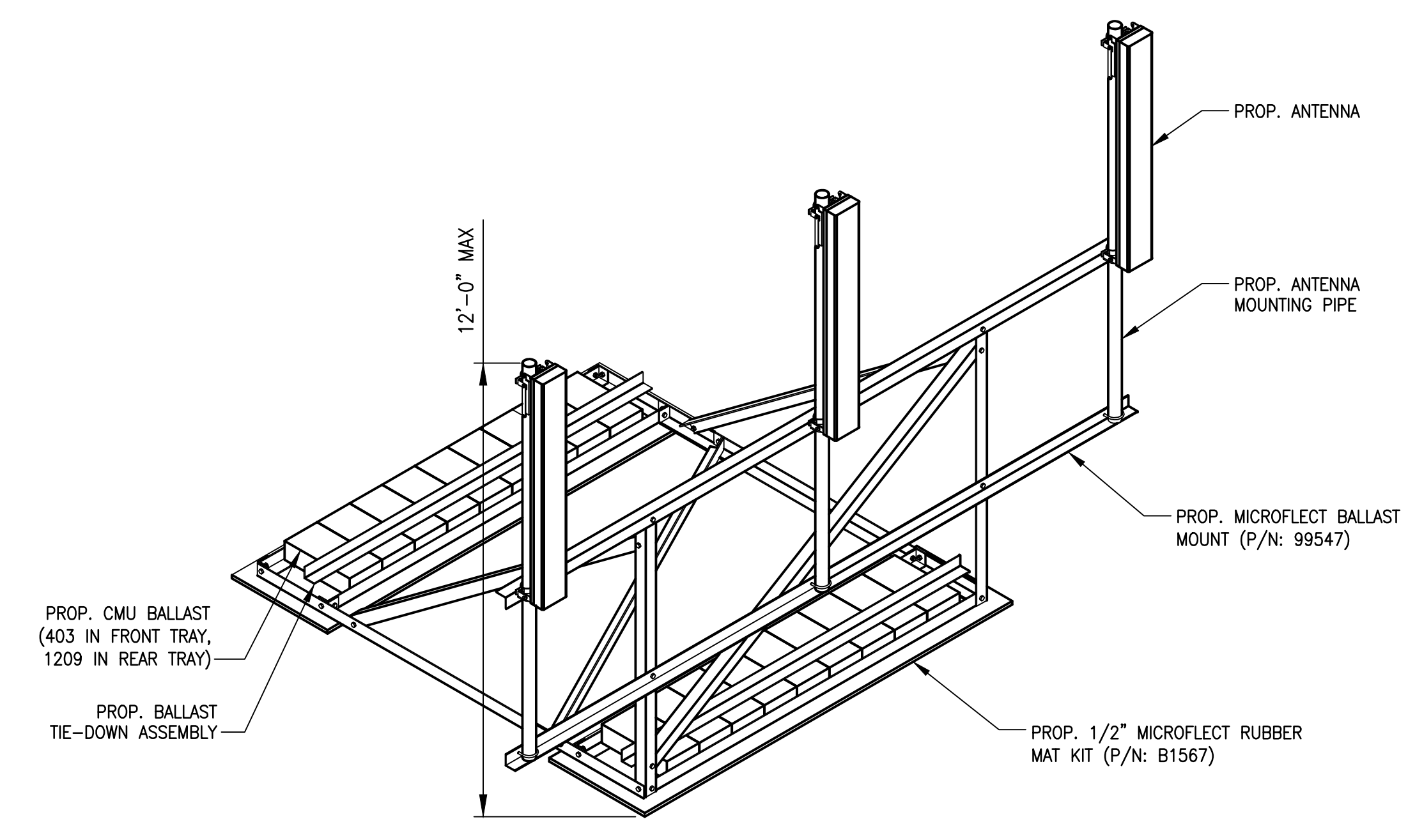
4PB-0360-A
 HARBOR TERRACE
 284 DANFORTH STREET
 PORTLAND, ME 04102

SHEET TITLE
ANTENNA PLAN & DETAILS

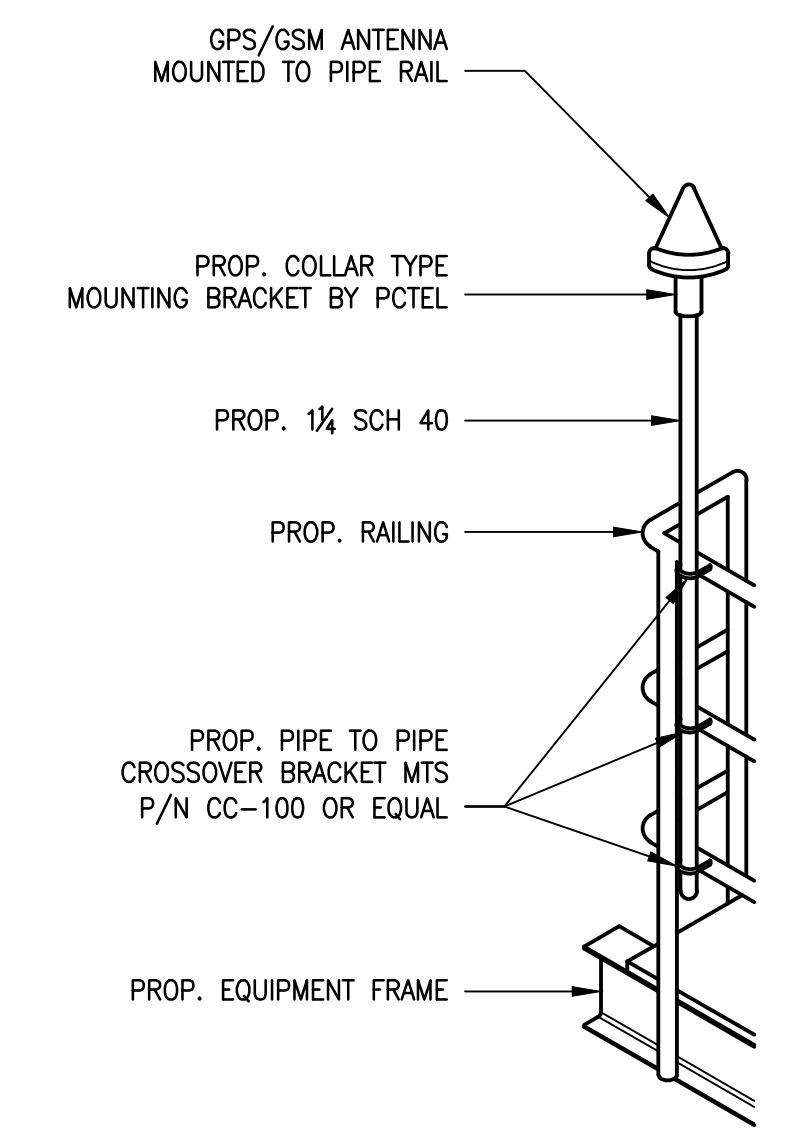
SHEET NUMBER
A-3



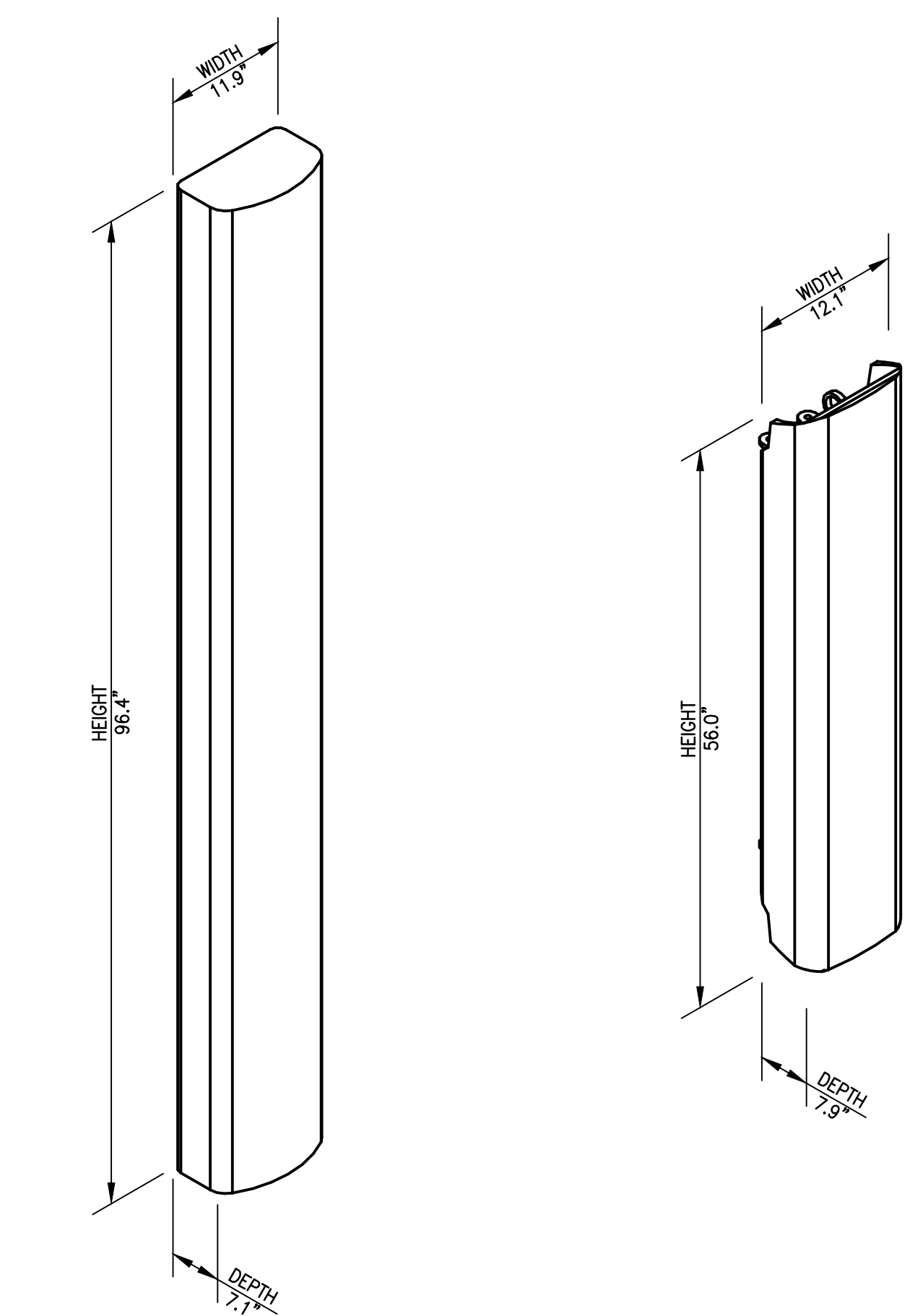
ANTENNA PLAN
 SCALE: 1/4" = 1'-0"
 0 2 4 8 12
 NORTH
 1
 A-3



BALLAST MOUNT ANTENNA FRAME
 SCALE: NOT TO SCALE
 2
 A-3



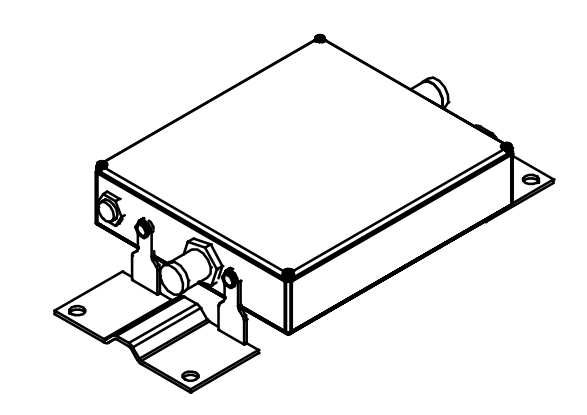
GPS MOUNTING DETAIL
 SCALE: 1-1/2" = 1'-0"
 8
 A-3



COMMSCOPE LNX-6515DS-VIM PANEL ANTENNA
 DIMENSIONS: 96.4"H x 11.9"W x 7.1"D
 WEIGHT: 50.3 LBS
 1 PER SECTOR, TOTAL OF 3

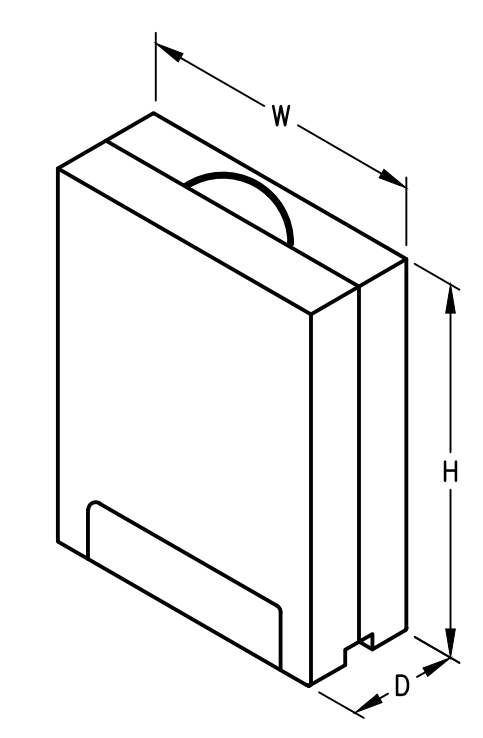
ERICSSON AIR21 B2A/B4P ANTENNA
 DIMENSIONS: 56.0"H x 12.1"W x 7.9"D
 WEIGHT: 70.0 LBS
 2 PER SECTOR, TOTAL OF 6

ANTENNA ISOMETRIC
 SCALE: N.T.S.
 3
 A-3



TMA 17/21
 DIMENSIONS: 7.7"H x 7.5"W x 3.4"D
 WEIGHT: 11.0 LBS
 2 PER SECTOR, TOTAL OF 6

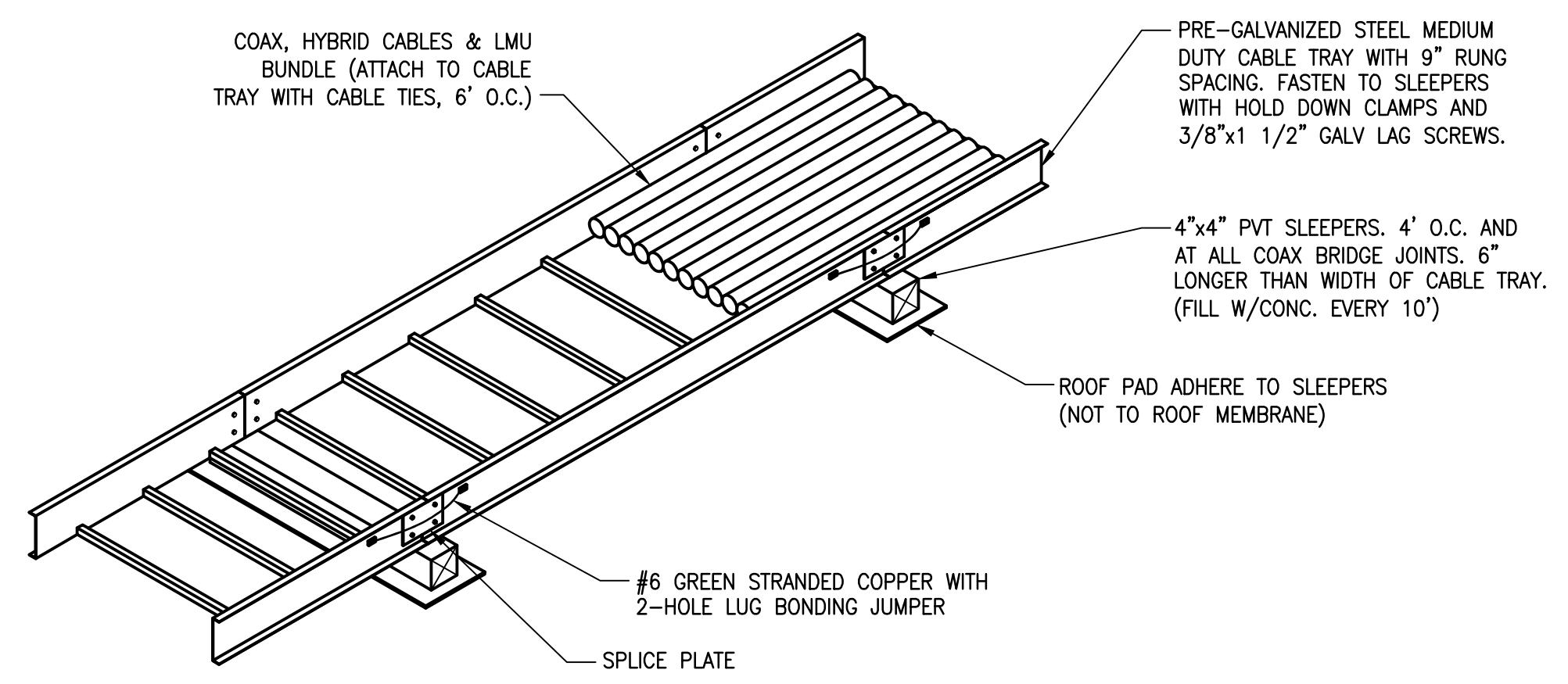
TMA ISOMETRIC
 SCALE: N.T.S.
 5
 A-3



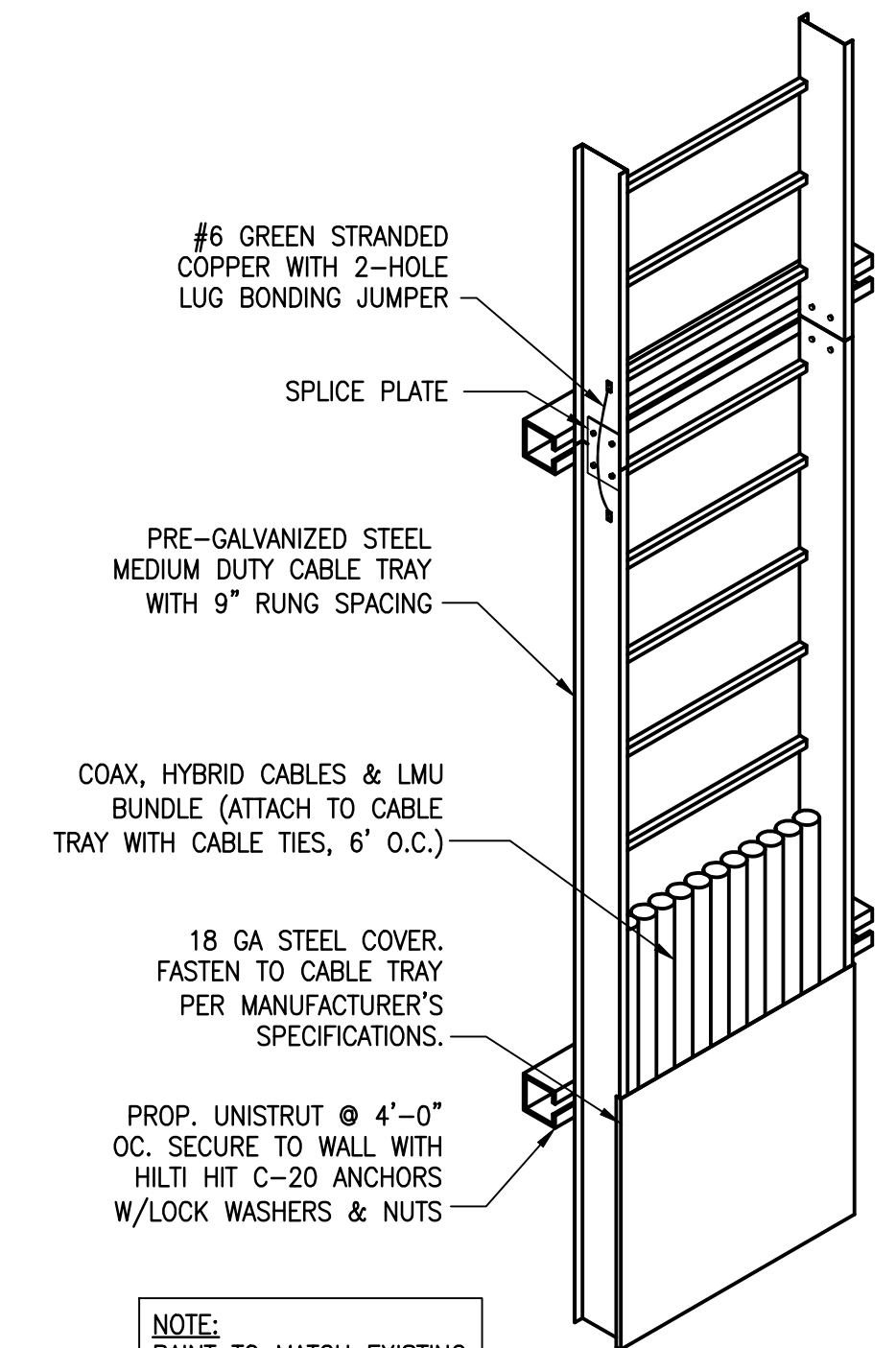
RRUS-11
 DIMENSIONS: 20.0"H x 17"W x 7"D
 WEIGHT: 50.7 LBS
 1 PER SECTOR, TOTAL OF 3

RRU ISOMETRIC
 SCALE: N.T.S.
 4
 A-3

NUMBER OF COAXIAL CABLES	WIDTH OF CABLE TRAY	LOADING DEPTH OF CABLE TRAY
12	24"	4"
8	18"	4"
4	12"	4"



CABLE TRAY DETAIL
 SCALE: NOT TO SCALE
 6
 A-3



VERTICAL CABLE TRAY DETAIL
 SCALE: NOT TO SCALE
 7
 A-3