

GENERAL NOTES

1. DRAWING NOTES:
CONTRACTOR TO FURNISH AND INSTALL ALL NOTED LABOR AND MATERIALS UNLESS OTHERWISE NOTED.

2. CODE COMPLIANCE:
ALL WORK SHALL CONFORM TO THE LATEST EDITION OF STATE, LOCAL AND OTHER CODES WHICH APPLY TO THIS PROJECT OR HAVE JURISDICTION.

3. COORDINATION:
IT IS THE RESPONSIBILITY OF THE CONTRACTOR TO COORDINATE ALL DISCIPLINES AND TRADES SO THAT ALL BUILDING SYSTEMS AND COMPONENTS CAN BE ASSEMBLED WITHOUT CONFLICTS. IN THE EVENT THAT THE CONSTRUCTION DOCUMENTS DEFINE CONDITIONS WHICH PROHIBIT, OR MAY PROHIBIT, SUCH ASSEMBLY, THE CONTRACTOR SHALL BRING TO THE ARCHITECTS ATTENTION, IN WRITING AND IN A TIMELY FASHION, SUCH CONDITION. THE CONTRACTOR SHALL NOT PROCEED WITH RELATED WORK WITHOUT A WRITTEN RESOLUTION CLARIFICATION FROM THE ARCHITECT. THE CONTRACTOR AND HIS/HER SUBCONTRACTORS SHALL BE RESPONSIBLE FOR PROVIDING MATERIALS AND SYSTEMS SHOWN IN THE CONSTRUCTION DOCUMENTS REGARDLESS OF WHERE THE INFORMATION IS LOCATED. WHERE COMPONENTS OF A SYSTEM ARE INDICATED THE CONTRACTOR SHALL BE RESPONSIBLE FOR PROVIDING ALL LABOR AND MATERIALS NECESSARY TO COMPLETE THE SYSTEM.

4. DISCREPANCIES & CLARIFICATIONS:
IT IS THE RESPONSIBILITY OF THE CONTRACTOR TO BRING TO THE ARCHITECTS ATTENTION, IN WRITING, ANY DISCREPANCIES OR AMBIGUITIES IN THE DRAWINGS AND/OR SPECIFICATIONS. THE CONTRACTOR SHALL NOT PROCEED WITH RELATED WORK WITHOUT A WRITTEN RESOLUTION OR CLARIFICATION FROM THE ARCHITECT.

5. LAYOUT:
UNLESS INDICATED OTHERWISE, CENTER WALL FRAMING AND PARTITION FRAMING ON COLUMN LINES. FLOOR PLAN DIMENSIONS ARE TO CENTER OF FRAMING, FACE OF CONCRETE, FACE OF CMU, OR FROM COLUMN CENTERLINES, UNLESS INDICATED OTHERWISE. DOORS AND WINDOWS ARE DIMENSIONED TO CENTERLINES UNLESS INDICATED OTHERWISE.

6. CENTERING:
UNLESS INDICATED OTHERWISE, CENTER BUILDING ELEMENTS WITHIN OR BETWEEN OTHER BUILDING ELEMENTS WHEN CONDITIONS OR THE DRAWINGS INDICATE OR IMPLY THAT SUCH IS THE INTENT, WHETHER OR NOT DIMENSIONS ARE INCLUDED.

7. SYMMETRY:
WHERE CONDITIONS OR THE DRAWINGS INDICATE OR IMPLY THAT SYMMETRY IS INTENDED, INFORMATION PROVIDED AT ONE SIDE APPLIES EQUALLY TO BOTH SIDES, UNLESS CONDITIONS CLEARLY PRECLUDE SUCH APPLICATION.

8. ACCESSIBILITY:
ALL HANDICAPPED ACCESSIBLE BATHROOMS, GRAB BARS, AND DOOR OPENINGS SHALL MEET THE REQUIREMENTS OF TITLE 94-349, CHAPTER 5 OF THE MAINE HUMAN RIGHTS COMMISSION TITLE LATEST EDITION & THE DEPARTMENT OF JUSTICE ADA STANDARDS FOR ACCESSIBLE DESIGN.

9. DRAWING SCALES:
WORK FROM THE GIVEN DIMENSIONS ONLY. SCALE IS INDICATED ON THE DRAWINGS FOR CONVENIENCE ONLY. IT IS NOT INTENDED THAT INFORMATION BE DETERMINED BY SCALING THE DRAWINGS SINCE SOME ITEMS MAY NOT BE TO SCALE.

10. WATER-RESISTANT GWB:
INSTALL WATER-RESISTANT GYPSUM WALL BOARD IN ALL REST ROOMS & TOILET ROOMS OR AT ANY WALL WITH PLUMBING FIXTURES.

10A. HIGH IMPACT GWB:
INSTALL HIGH IMPACT GYPSUM WALL BOARD IN ALL STAIRWELLS

11. INTERIOR ELEVATIONS:
INTERIOR ELEVATIONS MAY BE REVERSED FROM AND/OR SIMILAR TO ACTUAL CONDITIONS. SEE FLOOR PLANS FOR WINDOW AND DOOR QUANTITIES AND LOCATIONS, FOR CASEWORK LAYOUTS, AND FOR MONITOR LOCATIONS.

12. BUILDING INSULATION:
PROVIDE AS INDICATED IN WALL SECTIONS AND IN ACCORDANCE WITH PARTITION TYPES, WHETHER OR NOT SHOWN IN DETAILS AND OTHER DRAWINGS. FOR CLARITY, INSULATION MAY NOT BE SHOWN IN SOME CASES, EVEN IF IT IS TO BE PROVIDED.

13. BLOCKING:
INSTALL BLOCKING BEHIND ALL SURFACE-APPLIED FIXTURES TRIM, CASEWORK, SHELVES, BRACKETS, TOILET ACCESSORIES, CHAIR RAILS, PICTURE RAILS, GRAB BARS, BASE MOLDINGS, AND AS OTHERWISE REQUIRED, WHEN SUCH ITEMS ARE APPLIED ON STUD WALLS.

14. PENETRATIONS AT STRUCTURAL MEMBERS:
BEFORE PENETRATING JOISTS, BEAMS OR OTHER STRUCTURAL MEMBERS, CONSULT WITH THE ARCHITECT.

15. DAMAGED WORK:
BUILDING OR SITE COMPONENTS WHICH ARE AFFECTED BY NEW WORK, DEMOLITION, OR WHICH MAY BE DAMAGED BY THE GENERAL CONTRACTOR OR ANY SUB-CONTRACTOR SHALL BE REPLACED OR RESTORED TO ORIGINAL CONDITION AND COLOR TO MEET THE APPROVAL OF THE ARCHITECT.

16. UTILITIES:
VERIFY THE SIZE AND LOCATION OF ALL UNDERGROUND UTILITIES AND REPORT ANY DISCREPANCIES TO THE ARCHITECT IN WRITING. DO NOT PROCEED WITH WORK UNTIL THE DISCREPANCY HAS BEEN RESOLVED TO THE SATISFACTION OF THE ARCHITECT.

17. RATED CONSTRUCTION:
PROVIDE RATED CONSTRUCTION AS REQUIRED BY CODE, AS SPECIFIED, AND AS INDICATED ON DRAWINGS. IT IS THE RESPONSIBILITY OF THE CONTRACTOR TO PROVIDE AND INSTALL ALL COMPONENTS REQUIRED TO CREATE SUCH RATED CONSTRUCTION, REGARDLESS OF WHETHER OR NOT SUCH COMPONENTS ARE INDICATED. PROVIDE CONTINUITY OF SUCH RATED CONSTRUCTION AROUND AND BETWEEN SPACES, INCLUDING AT CHASES AND AT FLOORS, TO MAINTAIN COMPLETE SEPARATIONS, EVEN IF NOT SPECIFICALLY INDICATED.

18. SHOP DRAWINGS:
SUBMIT SHOP DRAWINGS TO THE ARCHITECT FOR REVIEW PRIOR TO FABRICATIONS. SUBMITTALS REQUIRED INCLUDE, BUT ARE NOT LIMITED TO, SHOP DRAWINGS FOR ALL PREFABRICATED CONCRETE, STEEL, MILLWORK & SIGNAGE, SAMPLES OF ALL PROPOSED PAINTS, METALS, WALL COVERINGS, LAMINATES, SOLID SURFACE MATERIALS, CERAMIC TILE, AND HARDWARE. SUBMIT MANUFACTURERS' DATA FOR ALL LIGHTING SYSTEMS, AND HARDWARE.

19. PERMITS:
THE GENERAL CONTRACTOR SHALL OBTAIN AND PAY FOR ANY BUILDING PERMITS REQUIRED AND CARRY ANY INSURANCE COVERAGES REQUIRED.

20. INTERIOR FINISHES:
ALL INTERIOR FINISHES AND FURNISHINGS ARE TO BE CLASS 'A' FIRE RATED AND ARE TO COMPLY WITH IBC 2009 (INTERIOR FLAME SPREAD).

21. ELECTRICAL DESIGN:
REFER TO ELECTRICAL DRAWINGS AND SPECIFICATIONS

22. WASTE REMOVAL:
THE GENERAL CONTRACTOR SHALL DISPOSE OF ALL WASTE AND DEBRIS OFF THE PREMISES.

24. TEMPORARY FACILITIES:
PROVIDE ALL TEMPORARY FACILITIES AND SERVICES, CONSTRUCTION AND SUPPORT FACILITIES, AND SECURITY AND PROTECTION AS NEEDED TO PROTECT NEW AND EXISTING CONSTRUCTION FOR THE DURATION OF A COMPLETE INSTALLATION.

25. FINAL CLEANING:
EMPLOY EXPERIENCED WORKERS FOR FINAL CLEANING. CLEAN EACH SURFACE TO THE CONDITION EXPECTED IN A COMMERCIAL BUILDING CLEANING PROGRAM.

26. MANUFACTURERS INSTRUCTIONS:
ALL MATERIALS & EQUIPMENT SHALL BE INSTALLED ACCORDING TO MANUFACTURER'S SPECIFICATIONS.

27. GUARANTEE:
GUARANTEE: ALL MATERIALS AND WORKMANSHIP SHALL BE GUARANTEED FOR A PERIOD OF ONE YEAR FROM THE DATE OF FINAL ACCEPTANCE UNLESS OTHERWISE SPECIFIED FOR A LONGER PERIOD OF TIME ON A CERTAIN ITEM.

28. ASBESTOS:
ALL MATERIAL USED FOR THE CONSTRUCTION OF THIS PROJECT, WHETHER BUILDING MATERIALS OR APPURTENANCES, SHALL BE NON-ASBESTOS CONTAINING MATERIAL.

29. HAZARDOUS FUMES:
THE GENERAL CONTRACTOR SHALL CONFIRM THAT ALL MATERIAL AND FINISHES SPECIFIED AND THEIR FABRICATION OR INSTALLATION WILL NOT RELEASE FUMES OR AROMAS DURING CONSTRUCTION WHICH MAY BE A HAZARD OR NUISANCE TO PERSONNEL.

30. PEST CONTROL:
SEAL AND CAULK AROUND ALL PENETRATIONS, CRACKS AND CREVICES AND ANY OPENINGS CAPABLE OF HARBORING INSECTS/RODENTS.

31. EXPOSED UTILITIES:
ALL EXPOSED UTILITY WIRES AND PIPES (ELECTRICAL, PLUMBING, ETC.) SHALL BE INSTALLED IN A WAY THAT DOES NOT OBSTRUCT OR PREVENT THE CLEANING OF FLOORS, WALLS, AND CEILING AREAS. THEY SHALL BE INSTALLED A MINIMUM OF 6" OFF FLOORS AND 1" OFF WALLS, CEILINGS AND ADJACENT PIPES.

32. OWNER SUPPLIED EQUIPMENT:
EQUIPMENT SUPPLIED BY THE OWNER AND INSTALLED BY THE GENERAL CONTRACTOR, EQUIPMENT INFORMATION AND SPECIFICATIONS ARE TO BE THE MOST CURRENT AVAILABLE AT THE TIME OF DOCUMENTATION PREPARATION. THE GENERAL CONTRACTOR SHALL BE RESPONSIBLE FOR VERIFYING WITH THE OWNER THE EXACT DIMENSIONS AND EQUIPMENT CONNECTION REQUIREMENTS (INCLUDING ELECTRICAL CIRCUIT REQUIREMENTS) OF EQUIPMENT TO BE SUPPLIED. THE GENERAL CONTRACTOR SHALL MAKE ALL FINAL CONNECTIONS AS NOTED ON THE DRAWINGS. INSTALL THE SET UP IN WORKING ORDER, CHECK WARRANTIES, TEST AND NOT VOID WARRANTIES. THE GENERAL CONTRACTOR SHALL COORDINATE WITH THE OWNER DELIVERY, STORAGE AND INSTALLATION OF ALL OWNER SUPPLIED EQUIPMENT. THE GENERAL CONTRACTOR SHALL STORE EQUIPMENT IF REQUESTED BY THE OWNER UNTIL INSTALLATION. SEE DRAWINGS FOR OTHER OWNER SUPPLIED/GENERAL CONTRACTOR INSTALLED ITEMS.

34. SOILS AT FOOTINGS:
REPORT THE LOCATION OF ALL UNSUITABLE SOILS AND MATERIALS BELOW ANTICIPATED LEVEL OF FOOTING TO THE ARCHITECT PRIOR TO THE SETTING OF FORMS.

35. ACCESS PANELS:
CONTRACTOR IS RESPONSIBLE FOR COORDINATING QUANTITY AND LOCATION OF ALL REQUIRED ACCESS PANELS FOR ALL MEP CONTROLS, CLEANOUTS, DAMPERS, PULL BOXES, ETC.

36. EXISTING HAZARDOUS MATERIALS
ALL HAZARDOUS MATERIALS INCLUDING BUT NOT LIMITED TO ASBESTOS AND LEAD PAINT ARE TO BE HANDLED, ENCAPSULATED, ABATED AND DISPOSED OF IN ACCORDANCE WITH ANY AND ALL FEDERAL, STATE AND LOCAL REQUIREMENTS AND REGULATIONS.

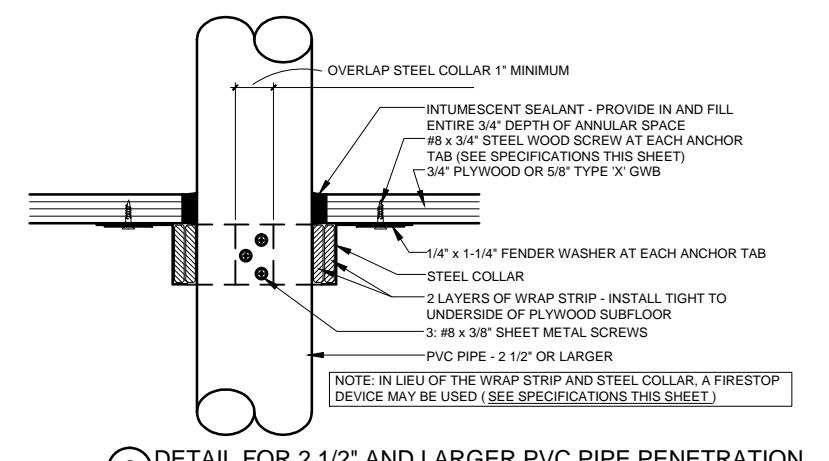
37. INDUSTRY STANDARDS:
ALL WORK SHALL BE PERFORMED IN ACCORDANCE WITH INDUSTRY STANDARDS. STANDARDS INCLUDE BUT ARE NOT LIMITED TO THE FOLLOWING:

AAMA AMERICAN ARCHITECTURAL MANUFACTURERS ASSOCIATION
ACI AMERICAN CONCRETE INSTITUTE
ANSI AMERICAN NATIONAL STANDARDS INSTITUTE
ASTM AMERICAN SOCIETY FOR TESTS AND MATERIALS
AWI ARCHITECTURAL WOODWORK INSTITUTE
AWS AMERICAN WELDING SOCIETY
IGMA INSULATING GLASS MANUFACTURERS ALLIANCE
NAAMM NATIONAL ASSOCIATION OF ARCHITECTURAL METAL MANUFACTURERS
NRCA NATIONAL ROOFING CONTRACTORS ASSOCIATION
NTCA NATIONAL TILE CONTRACTORS ASSOCIATION
SMACNA SHEET METAL AND AIR CONDITIONING NATIONAL ASSOCIATION
WDMA WINDOW AND DOOR MANUFACTURERS ASSOCIATION

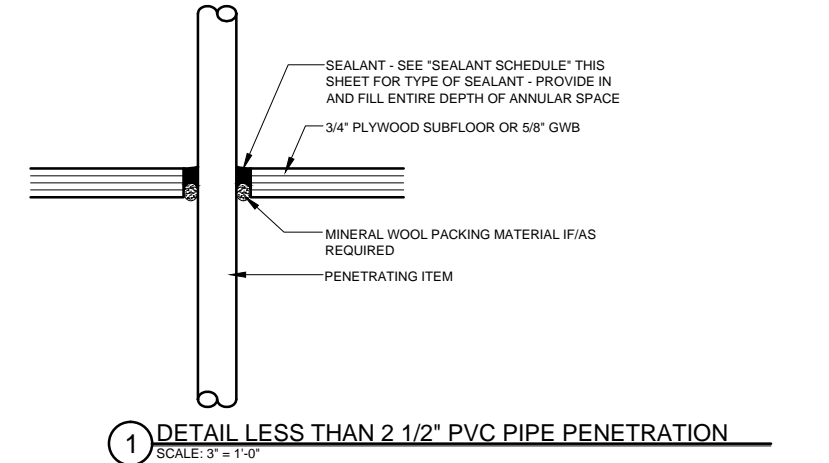
ABBREVIATIONS

| | | | | | |
|---|----------|--|---------|---------|--|
| A | AC | AIR CONDITIONING | L | LAB | LABORATORY |
| | ACT | ACOUSTICAL CEILING TILE | | LAM | LAMINATED |
| | AD | AREA DRAIN | | LB | POUND |
| | ADAAG | AMERICANS WITH DISABILITIES ACT ACCESSIBILITY'S GUIDELINES | | LH | LEFT HAND |
| | ADD | ABOVE FINISHED FLOOR | | LCC | LEAD COATED COPPER |
| | AFF | AIR-HANDLING UNIT | M | MACH | MACHINE |
| | AHU | ALUMINUM | | MAS | MASONRY |
| | ARCH | ARCHITECT/ARCHITECTURAL | | MATL | MATERIAL |
| | AWP | ACOUSTIC WALL PANEL | | MAX | MAXIMUM |
| B | B TO BLS | BACK-TO-BACK ANGLES | | MDO | MEDIUM DENSITY OVERLAY |
| | B B.G.C. | BASE BUILDING GENERAL CONTRACTOR | | MECH | MECHANICAL |
| | BLD | BUILDING LINE | | MEMB | MEMBRANE |
| | BLDG | BUILDING | | MEZZ | MEZZANINE |
| | BLKG | BLOCKING | | MFR | MANUFACTURER |
| | BSMT | BASEMENT | | MISC | MISCELLANEOUS |
| | BTHM | BY OTHERS | | MO | MASONRY OPENING |
| | BO | BY OTHERS | | MTD | MOUNTED |
| C | C | COURSE (MASONRY) | | MTL | METAL |
| | CER | CERAMIC | | MB | MARKER BOARD |
| | CG | CORNER GUARD | N | N | NORTH |
| | CH | COAT HOOK | | # | NUMBER |
| | CJ | CONTROL JOINT | | NIC | NOT IN CONTACT |
| | CL | CENTER LINE | | NOM | NOMINAL DIMENSION |
| | CLG | CEILING | | NTS | NOT TO SCALE |
| | CMU | CONCRETE MASONRY UNIT | O | O | ON/OVER |
| | COL | COLUMN | | OC | ON CENTER |
| | CONC | CONCRETE | | OD | OUTSIDE DIAMETER/OUTSIDE DIMENSION |
| | COND | CONDENSATION | | OFF | OFFICE |
| | CONN | CONNECT/CONNECTION | | OPG | OPENING |
| | CONST | CONSTRUCTION | | OPN | OPPOSITE |
| | CONT | CONTINUOUS | | OPP H | OPPOSITE HAND |
| | CORR | CORRIDOR | | OSB | ORIENTED STRAND BOARD |
| | CT | CERAMIC TILE | | OZ | OUNCE |
| | CUH | CABINET UNIT HEATER | PBO/BC | PBO/BC | PURCHASED BY OWNER INSTALLED BY CONTRACTOR |
| D | DBL | DOUBLE | PC | PC | PRECAST |
| | DF | DIAMETER | PL | PL | PLATE |
| | DIFF | DIFFUSER | PLAM | PLAM | PLASTIC LAMINATE |
| | DIM | DIMENSION | PR | PR | PAIR |
| | DN | DOWN | PRE FAB | PRE FAB | PREFABRICATE |
| | DR | DOOR | PRIV | PRIV | PRIVACY |
| | DSP | DRY STAND PIPE | PSF | PSF | POUNDS PER SQUARE FOOT |
| | DWG | DRAWING | PTD | PTD | PAINTED |
| E | EA | EAST | PTN | PTN | PARTITION |
| | EAC | EACH | PVC | PVC | POLYVINYL CHLORIDE |
| | ELEV | ELEVATION | PWD | PWD | PLYWOOD |
| | ELEC | ELECTRICAL | PERF | PERF | PERFORATED |
| | ELEV | ELEVATION | QT | QT | QUARRY TILE |
| | ENTR | ENTRANCE | QTR | QTR | QUARTER |
| | EQ | EQUIPMENT | R | R | RISER/RADIUS |
| | EQUIP | EQUIPMENT | RAD | RAD | RADIUS |
| | EXP | EXPANSION | RB | RB | RUBBER BASE |
| | EXPB | EXPANSION BOLT | RCP | RCP | RIGID CEILING PLAN |
| | EXPJ | EXPANSION JOINT | RD | RD | ROOF DRAIN |
| | EXT | EXTERIOR | REBAR | REBAR | REINFORCING BAR |
| | EW | ELECTRIC WATER COOLER | REF | REF | REFRIGERATOR |
| | EWG | ELECTRIC WATER COOLER | REIN | REIN | REINFORCED |
| F | FB | FAHRENHEIT | RES | RES | REQUIRED |
| | FB | FAHRENHEIT | REV | REV | REVERSE |
| | FB | FAHRENHEIT | RM | RM | ROOM |
| | FD | FIRE EXTINGUISHER AND CABINET | ROW | ROW | ROUGH OPENING |
| | FD | FLOOR DRAIN | ROW | ROW | RIGHT OF WAY |
| | FE | FIRE EXTINGUISHER | S | S | SOUTH |
| | FEC | FIRE EXTINGUISHER CABINET | SCHED | SCHED | SCHEDULE |
| | FEW | FIRE TREATED WOOD | SF | SF | SQUARE FEET |
| | FIN | FINISH | SIM | SIM | SIMILAR |
| | FL | FLOOR | SPEC | SPEC | SPECIFICATION |
| | FOB | FACE OF BRICK | SQ | SQ | SQUARE |
| | FOC | FACE OF CONCRETE | SST | SST | STAINLESS STEEL |
| | FOF | FACE OF FINISH | STD | STD | STANDARD |
| | FOS | FACE OF STUDS | STL | STL | STEEL |
| | FOW | FACE OF WALL | STOR | STOR | STORAGE |
| | FSS | FIRE SUPPRESSION SYSTEM | STRUC | STRUC | STRUCTURE/STRUCTURAL |
| | FT | FOOT | SUSP | SUSP | SUSPENSION |
| | FTG | FOOTING | T&G | T&G | TONGUE&GROOVE |
| | FRG | FIBER REINFORCED GYPSUM | TEL | TEL | TELEPHONE |
| | FTR | FIN TUBE RADIATION | THIC | THIC | THICK |
| | FTR | FUME HOOD | TOP | TOP | TOP OF DECK |
| G | GA | GAUGE | TOS | TOS | TOP OF STEEL |
| | GALV | GALVANIZED | TYP | TYP | TYPICAL |
| | GB | GRAB BAR | TV | TV | TELEVISION |
| | GB | GENERAL CONTRACTOR | UCB | UCB | UNDER CONSTRUCTION |
| | GFI | GROUND-FALL INTERRUPTER | TOC | TOC | TOP OF CONCRETE |
| | GFL | GLASS GLAZING/GLAZED | UL | UL | UNDERWRITERS LABORATORIES, INC. |
| | GLM | GLUE LAMINATED WOOD | UV | UV | UNIT VENTILATOR |
| | GND | GROUND | V | V | VINYL COMPOSITION TILE |
| | GWB | GYPSUM WALL BOARD | VCT | VCT | VERTICAL |
| H | HB | HOSE BIB | VIF | VIF | VERTICAL INFORMATION |
| | HB | HOSE BIB | VOL | VOL | VOLUME |
| | HC | HORIZONTAL | W | W | WEST |
| | HM | HOLLOW METAL | WO | WO | WITHOUT |
| | HORIZ | HORIZONTAL | WT | WT | WITH |
| | HP | HORSE POWER/HIGH POINT/HEAT PUMP | WF | WF | WIDE FLANGE |
| | HR | HOUR | WP | WP | WORK POINT |
| | HW | HOT WATER | WT | WT | WEIGHT |
| | HVAC | HEATING VENTILATION AIR CONDITIONING | | | |
| I | ID | INSIDE DIMENSION/INSIDE DIAMETER | | | |
| | IN | INCHES | | | |
| | INFO | INFORMATION | | | |
| | INSUL | INSULATION | | | |
| J | JST | JOIST | | | |
| | JT | JOINT | | | |
| K | KD | KILN-DRIED | | | |
| | KIP | 1000 POUNDS | | | |

FIRESTOPPING DETAILS



2. DETAIL FOR 2 1/2" AND LARGER PVC PIPE PENETRATION



1. DETAIL LESS THAN 2 1/2" PVC PIPE PENETRATION

SPECIFICATIONS

WRAP STRIP: 1/4" THICK x 1 1/2" MINIMUM WIDTH INTUMESCENT MATERIAL WITH PLASTIC FILM FACING BOTH SIDES. TEMPORARILY SECURE WITH MASKING TAPE. SPECIFIED TECHNOLOGIES INC. (STI) "SpecSeal RED Wrap Strip" OR "SpecSeal BLU Wrap Strip" OR EQUAL.

STEEL COLLAR: WRAP STRIP MANUFACTURER'S STEEL COLLAR, FABRICATED FROM .016 INCH THICK GALVANIZED SHEET STEEL, WIDTH TO MATCH WRAP STRIP (1 1/2" MINIMUM), WITH 1 INCH x 2 INCH ANCHOR TABS AND RETAINER TABS. ANCHOR TABS TO BE SYMMETRICALLY OPPOSED AROUND COLLAR. PROVIDE 3 TABS FOR 2 1/2" AND 3" PIPE; PROVIDE 4 TABS FOR 4" PIPE.

INTUMESCENT SEALANT: ONE-PART, INTUMESCENT, LATEX ELASTOMER TESTED TO ASTM E 814. MINIMUM EXPANSION OF 3x AT 1000°F. 3M "FIRE BARRIER SEALANT CP 25WB" OR EQUAL.

FIRESTOP SEALANT: SINGLE COMPONENT NONCOMBUSTIBLE FIRE RATED SEALANT TESTED TO ASTM E 814. TESTED TO 3000°F. BOSS 136 FIRESTOP/DRAFT SEALANT MANUFACTURED BY ACCUMETRIC, LLC, OR EQUAL.

SEALANT SCHEDULE:

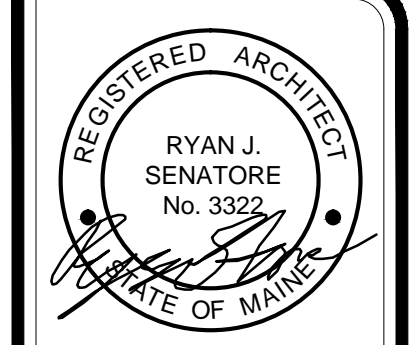
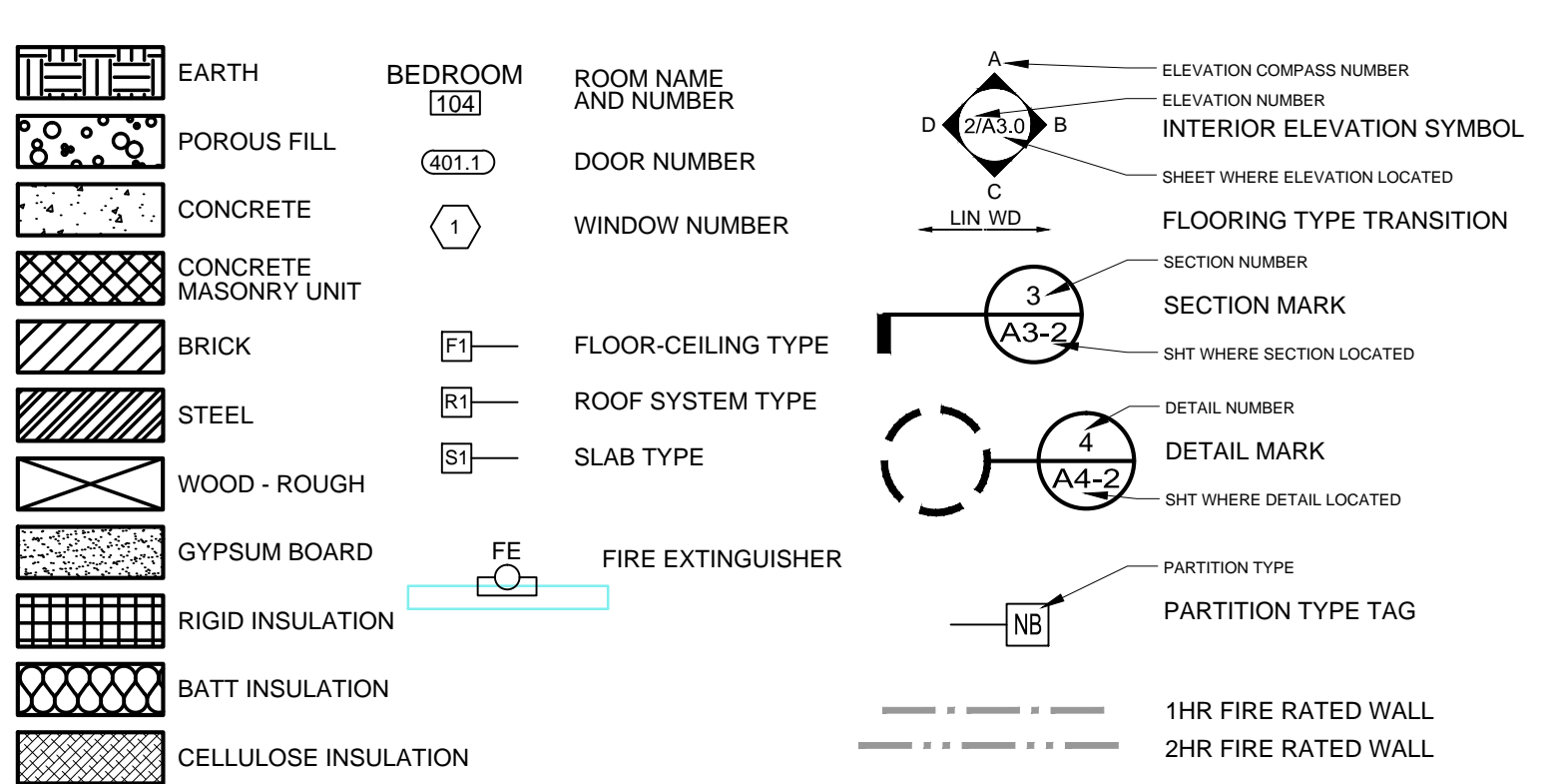
INTUMESCENT SEALANT: PROVIDE AT ALL PENETRATIONS THROUGH RATED CONSTRUCTION FOR PENETRATING ITEMS INCLUDING BUT NOT LIMITED TO PVC PIPE, ROOF LEADER PIPES, GAS PIPES & LINES, SPRINKLER PIPES, ELECTRICAL & COMMUNICATIONS CABLES & WIRES, AND ALARM SYSTEM WIRES. DO NOT USE INTUMESCENT SEALANT AT DOMESTIC HOT WATER OR HYDRONIC HEATING SYSTEM PIPES.

FIRESTOP SEALANT: PROVIDE AT ALL PENETRATIONS THROUGH RATED CONSTRUCTION FOR PENETRATING ITEMS INCLUDING DOMESTIC HOT AND COLD WATER PIPES AND HYDRONIC HEATING SYSTEM PIPES.

NOTE:

FOR LOCATIONS OF RATED CONSTRUCTION, SEE ARCHITECTURAL FLOOR PLANS AND SECTIONS

DRAWING LEGEND



© 2016 RYAN SENATORE ARCHITECTURE

LITTLE GIANT RESTAURANT
211 DANFORTH STREET
PORTLAND, MAINE



CONSULTANTS:

REVISIONS:

DATE: NOVEMBER 29, 2016

PROJECT No. 1640

DRAWN BY: RRT, RJS

CHECKED BY: RJS

SCALE: AS NOTED

SHEET TITLE:

GENERAL NOTES AND ABBREVIATIONS

G1-0