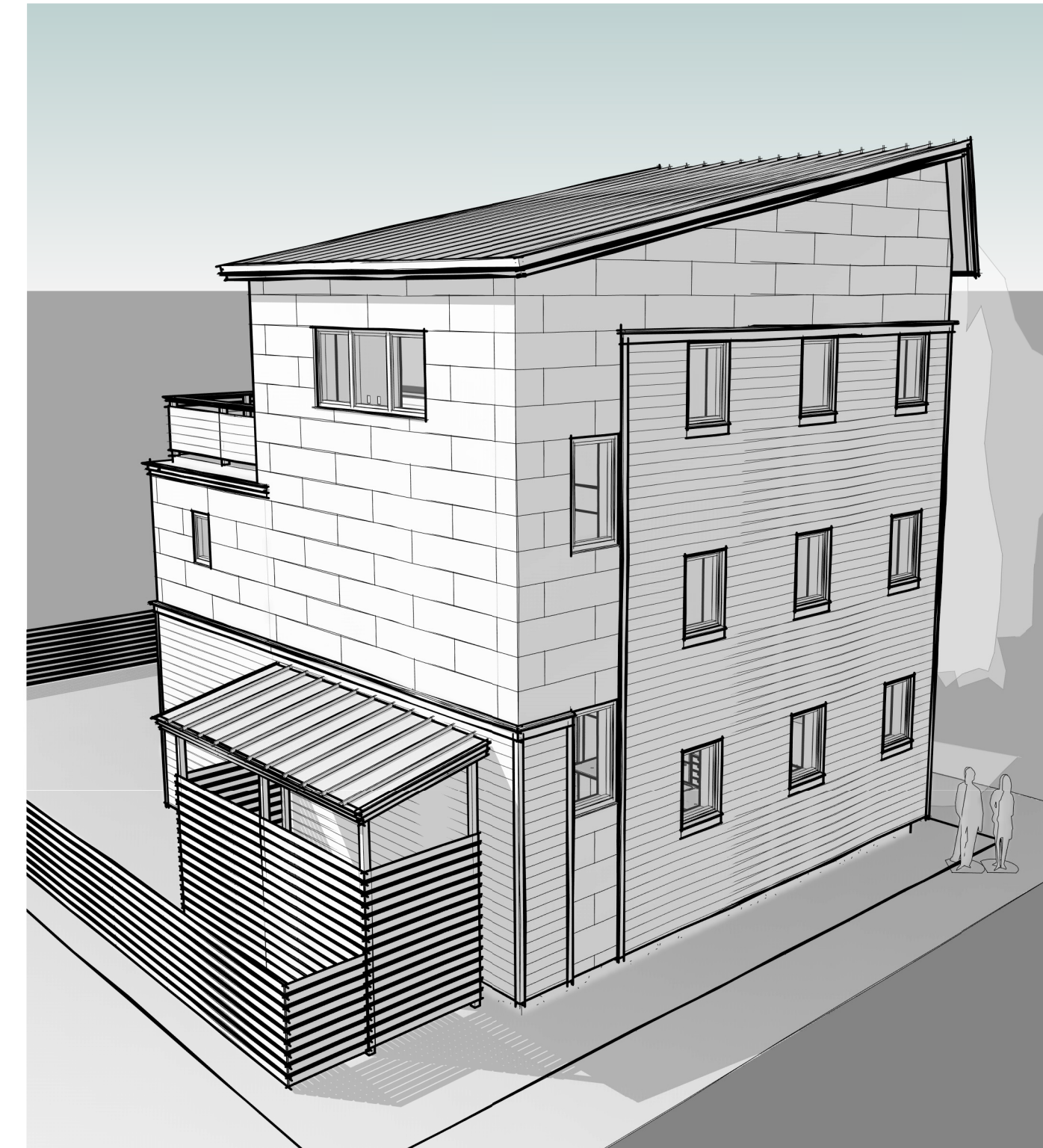




4 Cover- VIEW FROM NORTH EAST

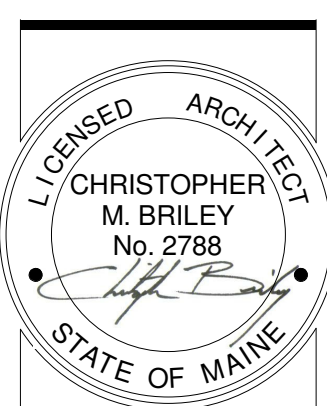


2 VIEW FROM NORTH WEST



3 VIEW FROM SOUTH EAST

DRAWING LIST	
NUMBER	DRAWING NAME
A000	COVER SHEET
A001	SITE PLAN
A101	FLOOR PLANS
A201	ELEVATIONS
A301	BUILDING SECTION
A302	BUILDING SECTION
A303	SECTION DETAILS
A401	WINDOW & DOOR DETAILS
A501	INTERIOR ELEVATIONS
S101	FOUNDATION & FRAMING PLANS

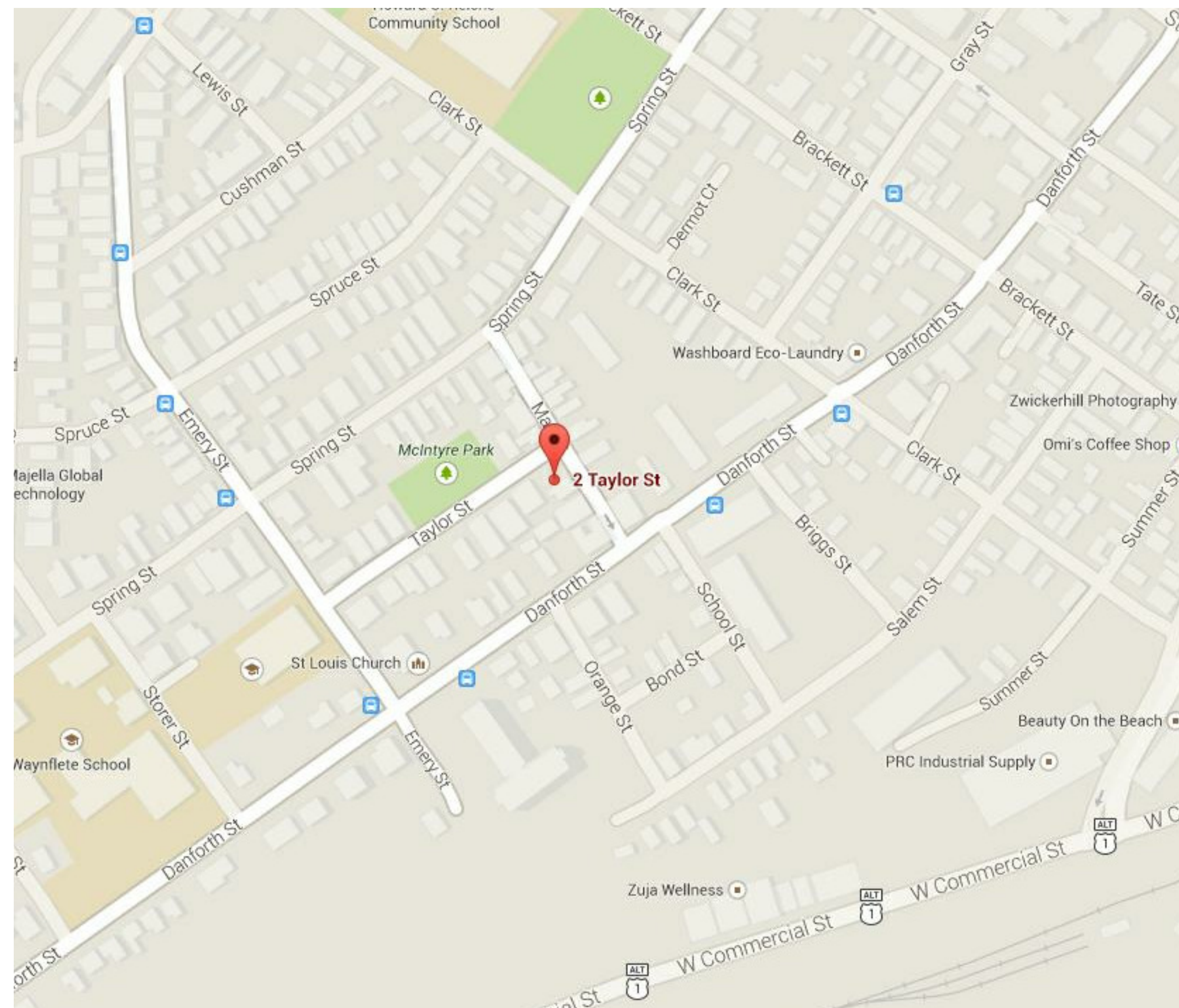


OLINS RESIDENCE
2 TAYLOR STREET
PORTLAND, MAINE

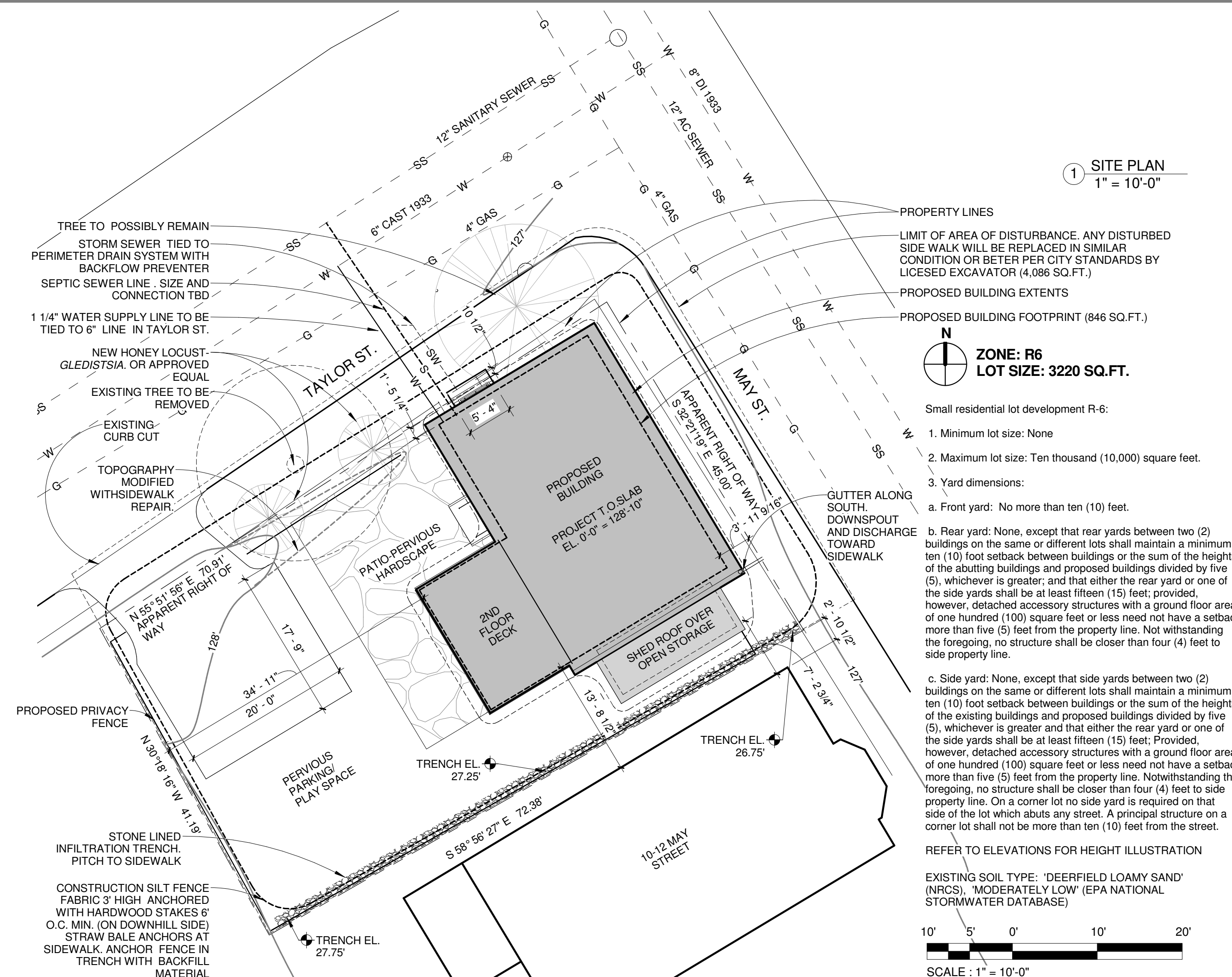
BRIBURN
architecture for life
20 Maple St. Suite 201 Portland, ME 04101 (207) 774-6442

OLINS RESIDENCE

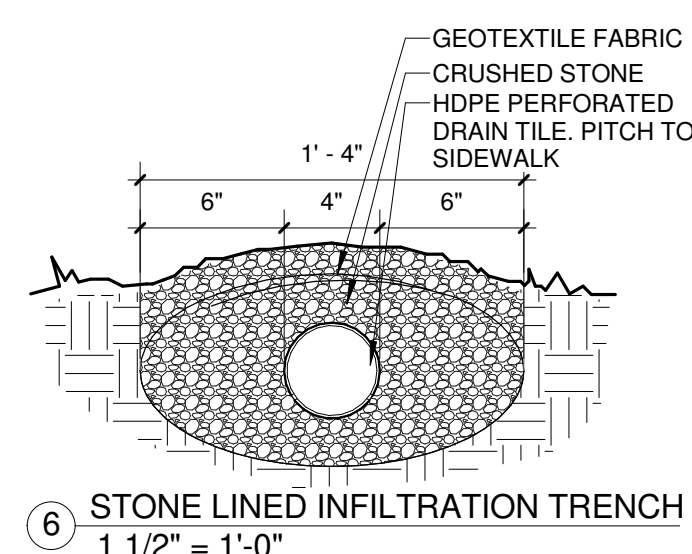
2 TAYLOR STREET, PORTLAND, MAINE



5 LOCATION MAP
N.T.S.



SYMBOL LEGEND	
	DETAIL NUMBER BUILDING SECTION DRAWING NUMBER
	DETAIL NUMBER CALL OUT DRAWING NUMBER
	CENTERLINE
	DOOR TAG
	ELEVATION INDICATOR
	ELEVATION TAG
	ELEVATION TAG
	NORTH ARROW
	REVISION
	Room name ROOM TAG WITH NUMBER
	STRUCTURAL GRID BUBBLE
	WALL TAG
	WINDOW TAG



CONSULTANTS:
STRUCTURAL ENGINEER
L&L STRUCTURAL ENGINEERING
6 Q STREET
SOUTH PORTLAND, ME 04106

REVISIONS:

ISSUED: 11/10/14
PROJECT No: 1314
DRAWN BY: CMB
CHECKED BY: ---
SHEET TITLE:
COVER SHEET

A000