

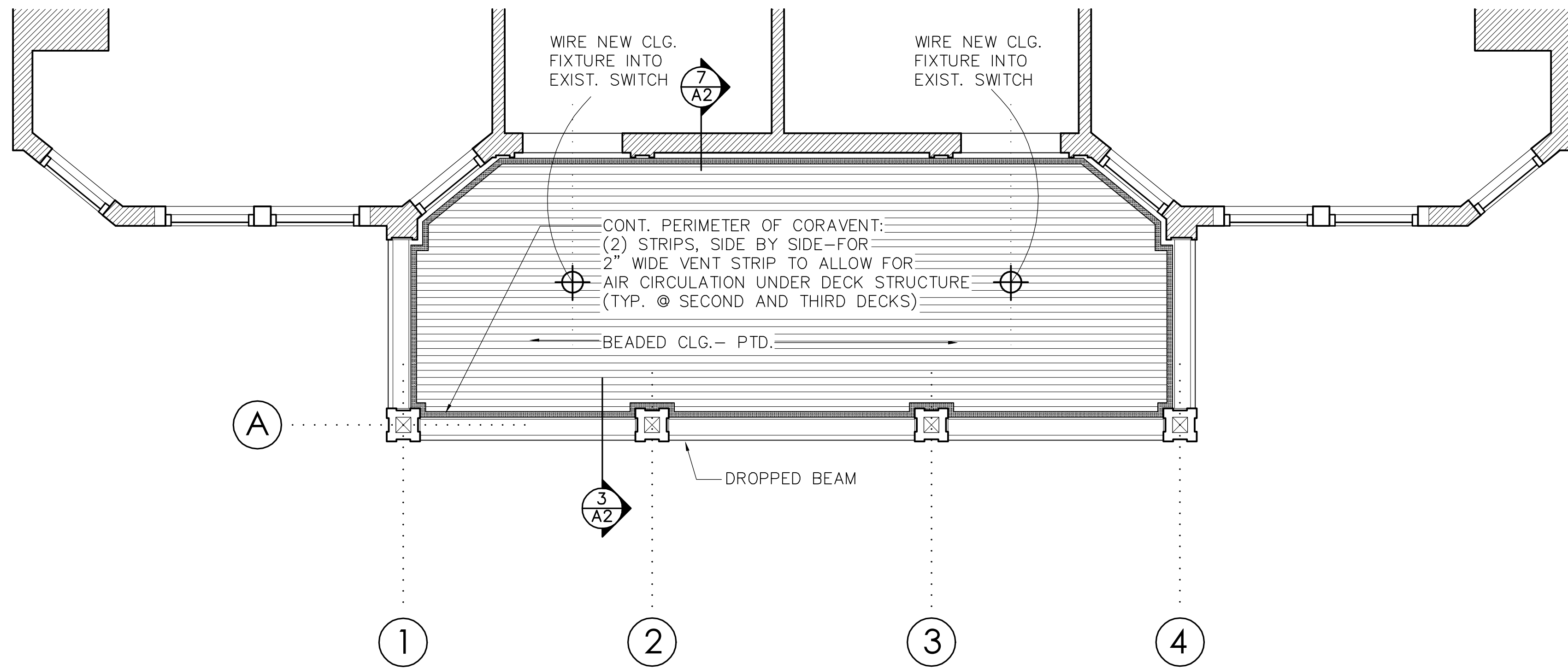
12-14 Taylor Street Apartments

Exterior Porch renovation: Portland, Maine

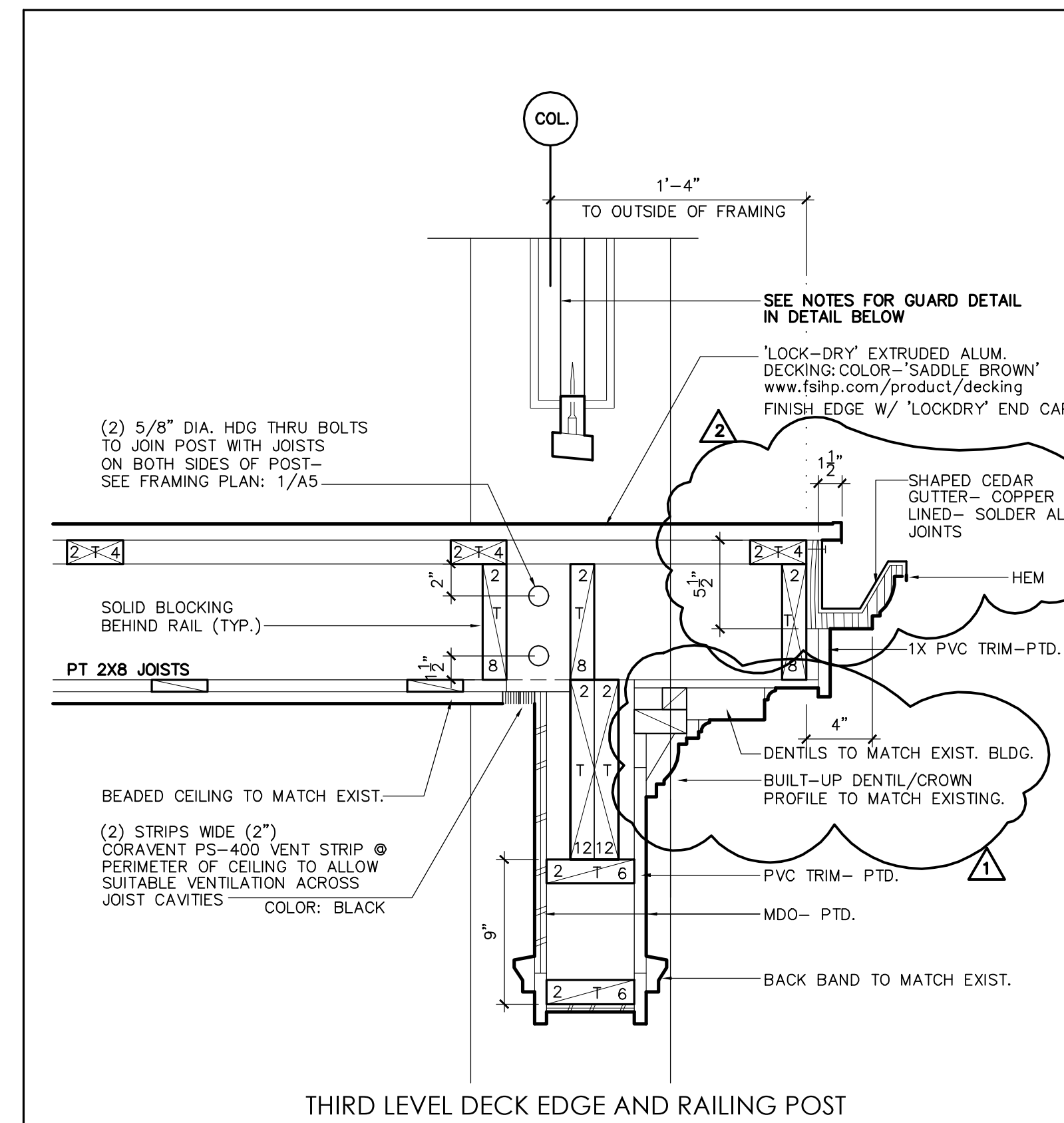
MAY 3, 2013
SECTION, DETAILS, & CEILING PLAN

PERMIT SET

A2

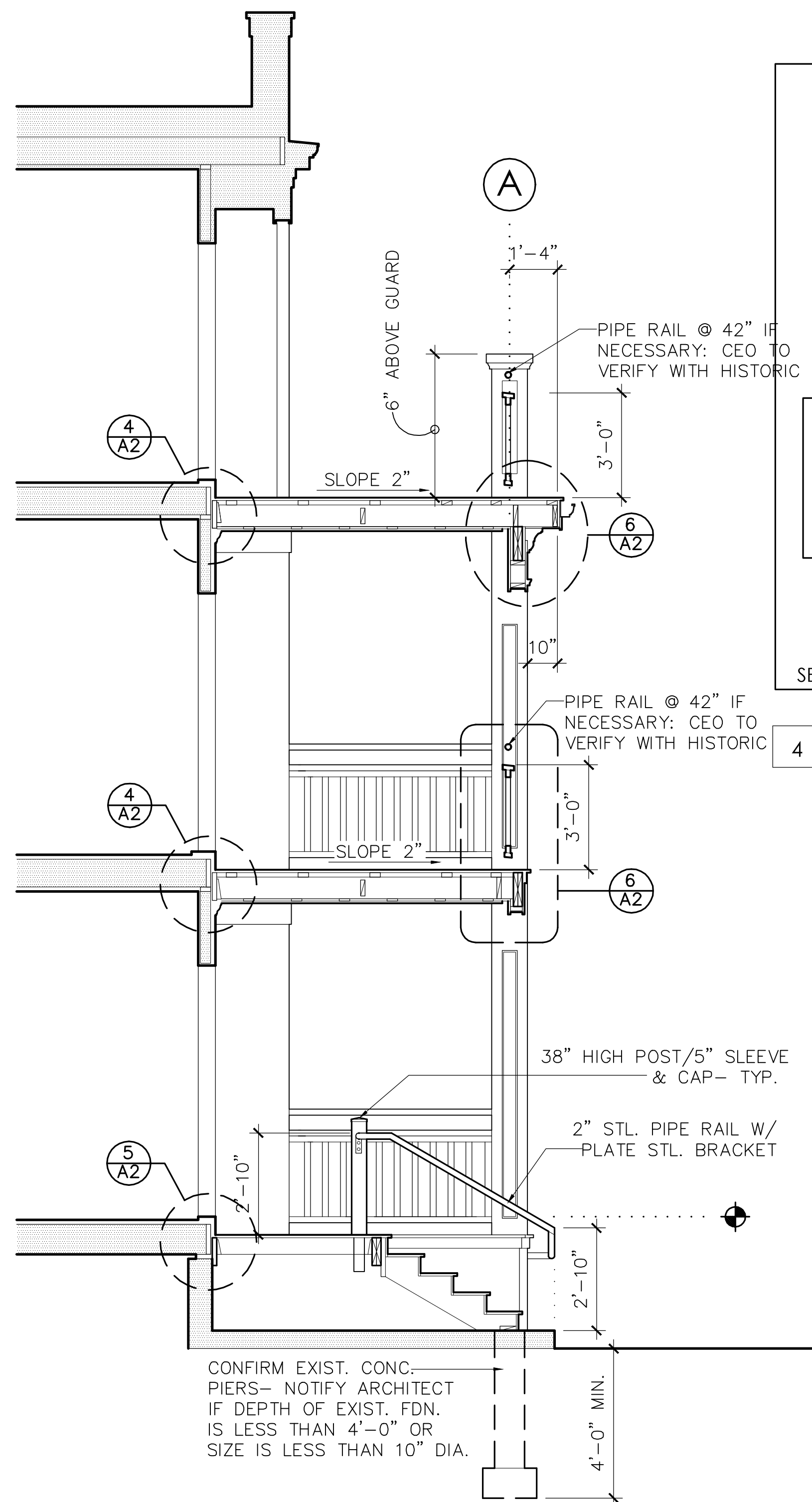
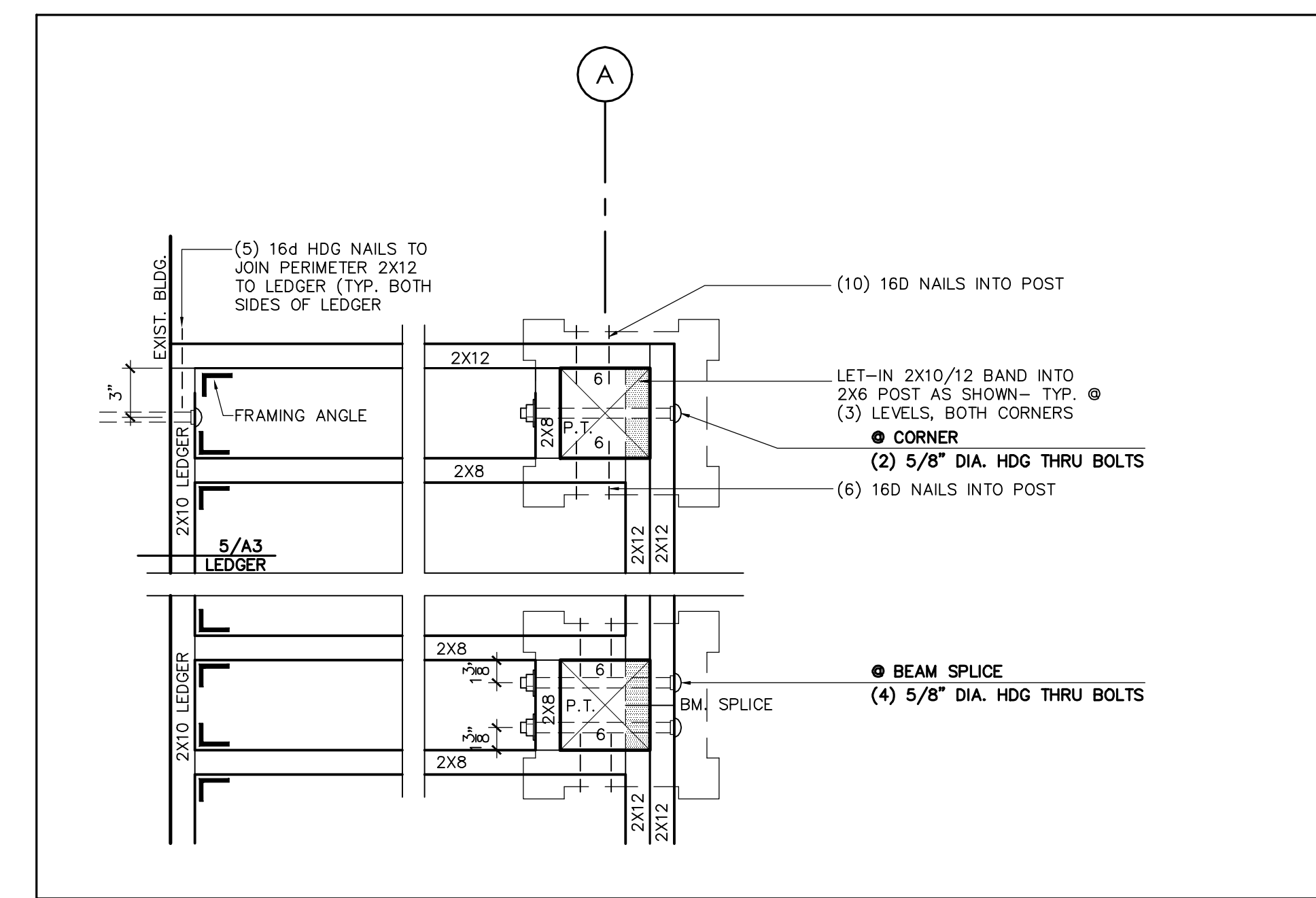


1 REFLECTED CEILING PLAN AT FIRST AND SECOND LEVEL CEILINGS

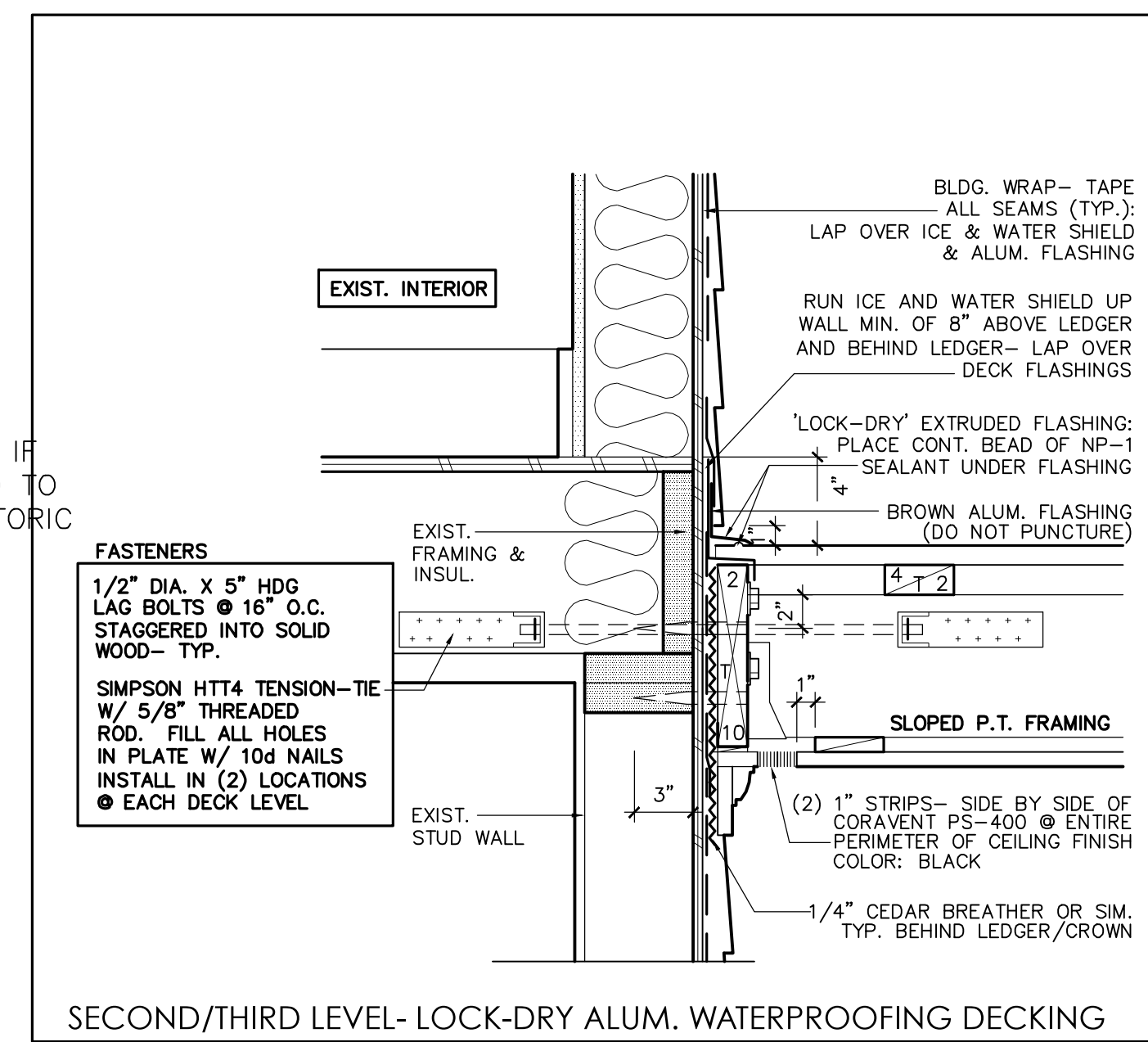


8 STRUCTURAL POST AND FRAMING DETAILS

SCALE: 1-1/2" = 1'-0"

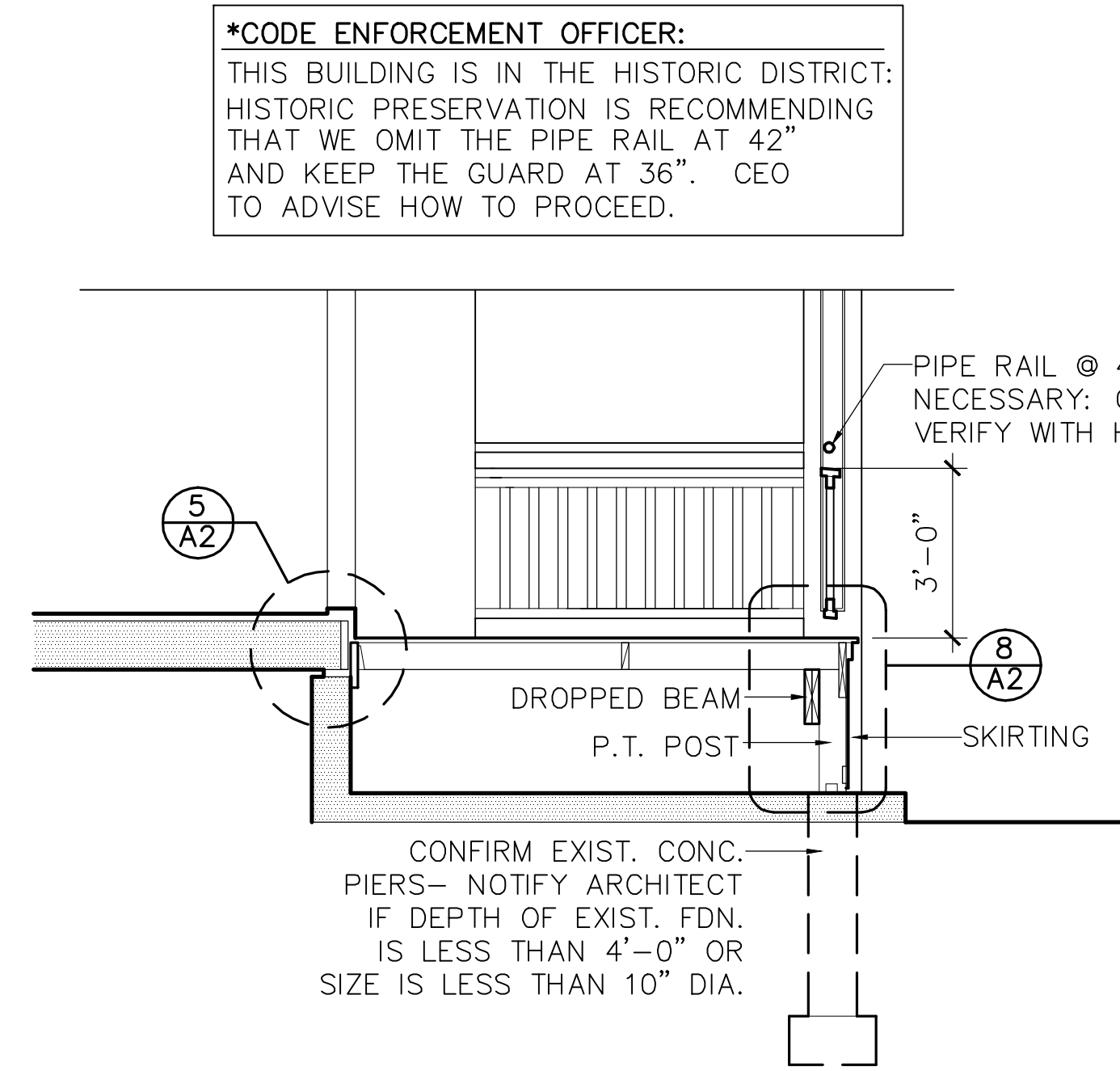


2 FRONT PORCH SECTION AT CENTER



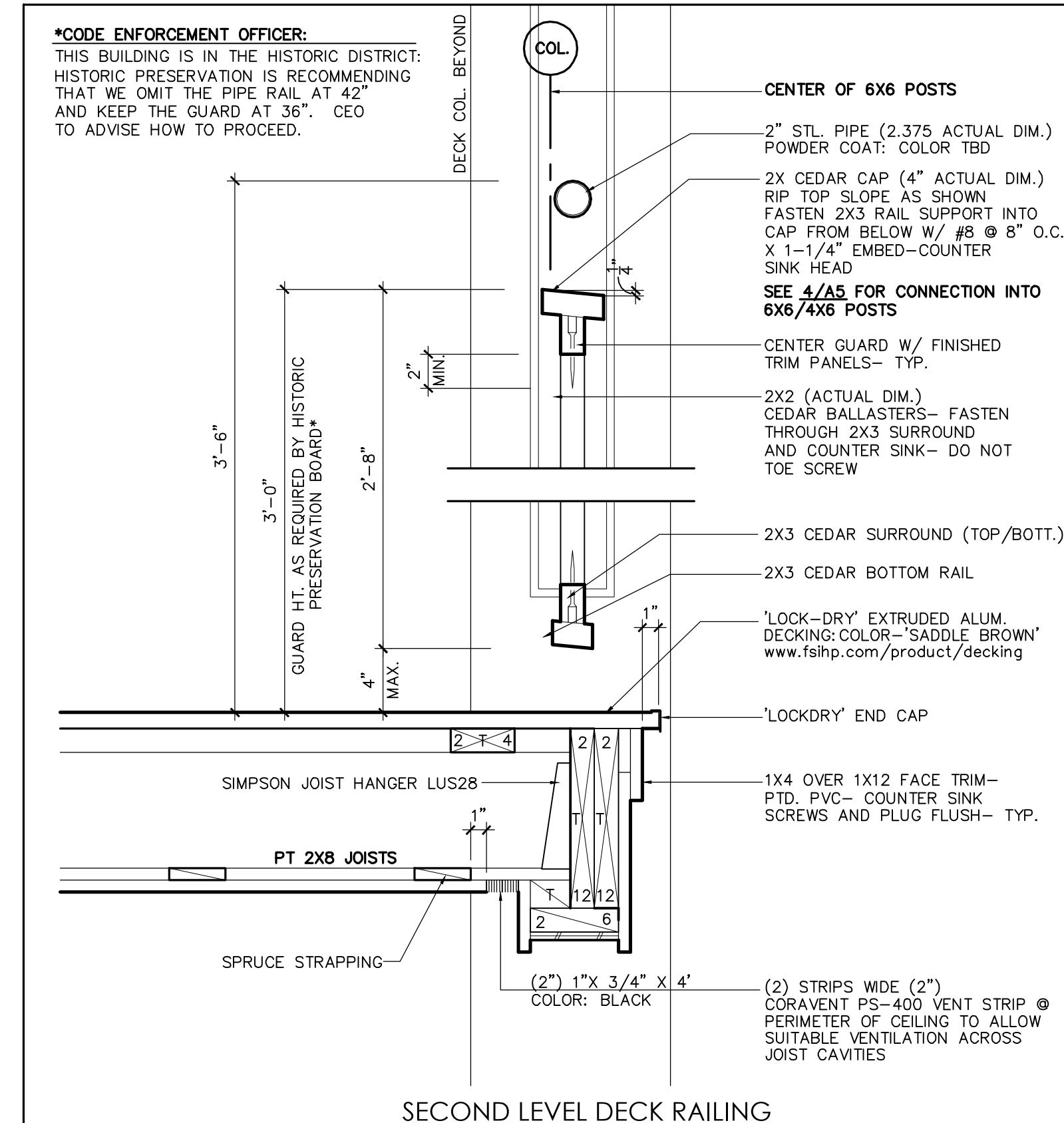
4 GUARD AND DECK EDGE DETAILS

SCALE: 1-1/2" = 1'-0"



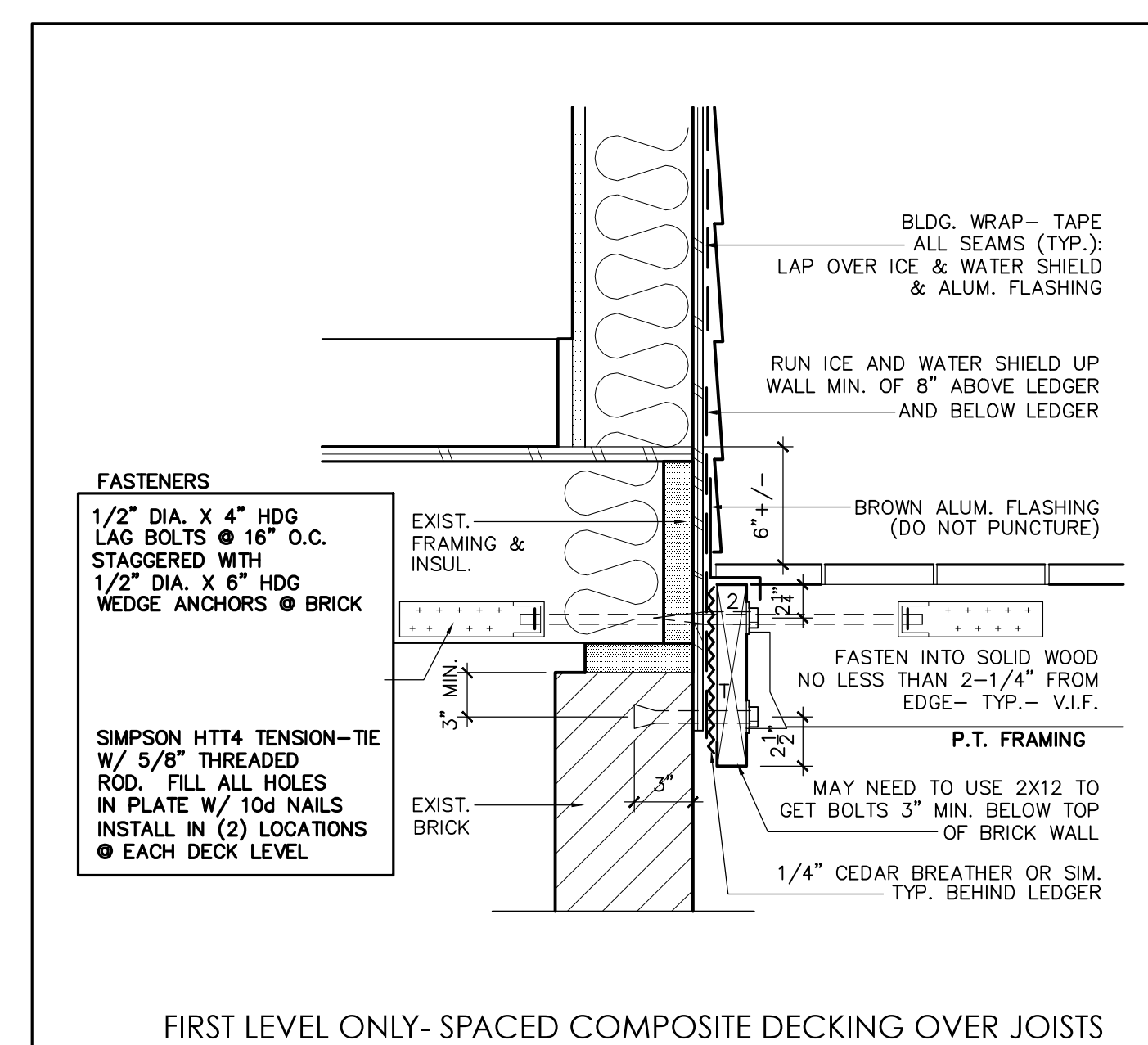
5 LEDGER DETAILS

SCALE: 1-1/2" = 1'-0"



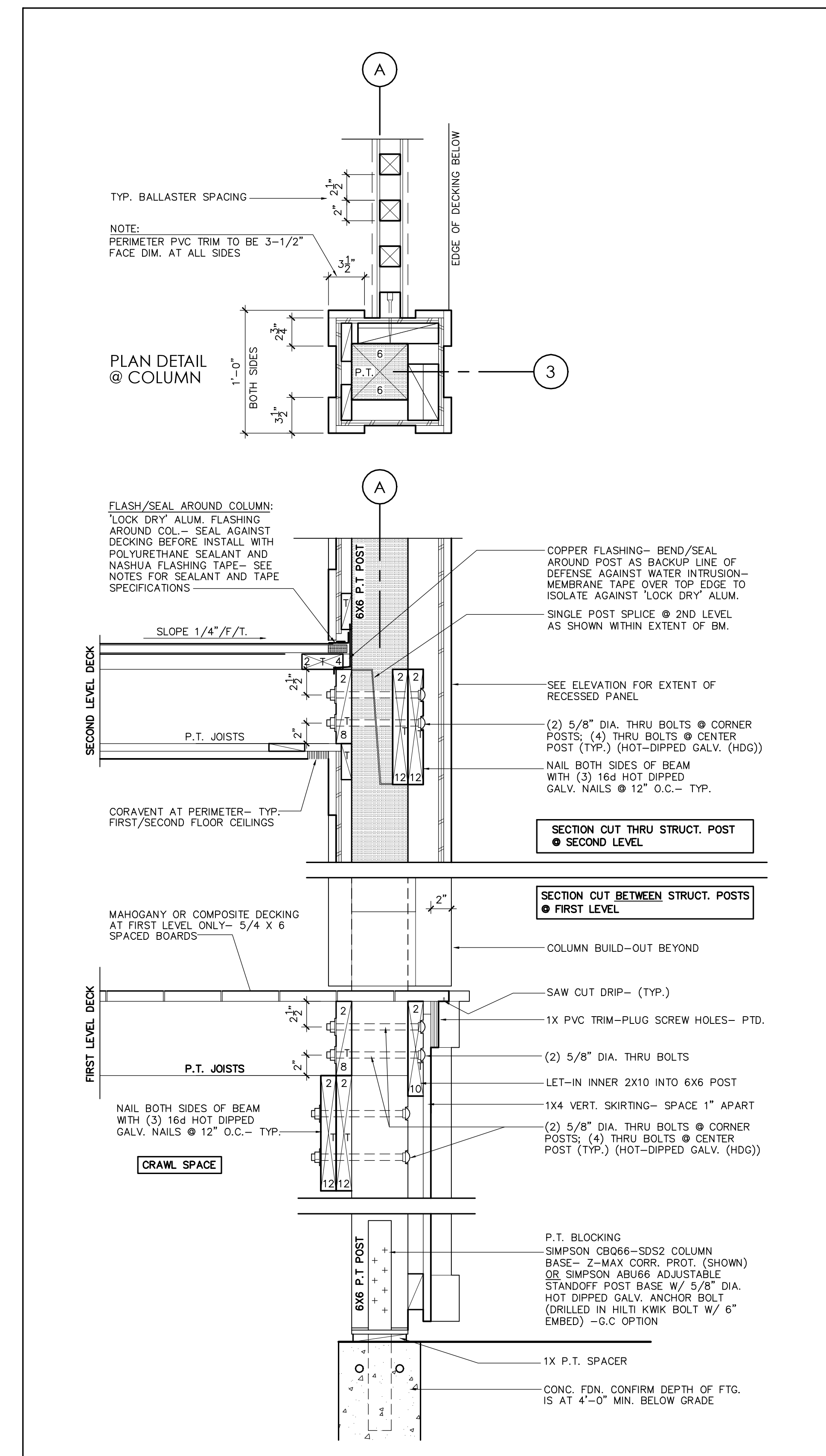
6 GUARD AND DECK EDGE DETAILS

SCALE: 1-1/2" = 1'-0"



7 STRUCTURAL POST AND FRAMING DETAILS

SCALE: 1-1/2" = 1'-0"



SECTION CUT THRU STRUCT. POST @ SECOND LEVEL

SECTION CUT BETWEEN STRUCT. POSTS @ FIRST LEVEL

SECTION CUT THROUGH STRUCT. POST @ FIRST LEVEL

SECTION CUT BETWEEN STRUCT. POSTS @ FIRST LEVEL

SECTION CUT THROUGH STRUCT. POST @ FIRST LEVEL

SECTION CUT BETWEEN STRUCT. POSTS @ FIRST LEVEL

SECTION CUT THROUGH STRUCT. POST @ FIRST LEVEL

SECTION CUT BETWEEN STRUCT. POSTS @ FIRST LEVEL

SECTION CUT THROUGH STRUCT. POST @ FIRST LEVEL

SECTION CUT BETWEEN STRUCT. POSTS @ FIRST LEVEL

SECTION CUT THROUGH STRUCT. POST @ FIRST LEVEL

SECTION CUT BETWEEN STRUCT. POSTS @ FIRST LEVEL

SECTION CUT THROUGH STRUCT. POST @ FIRST LEVEL