

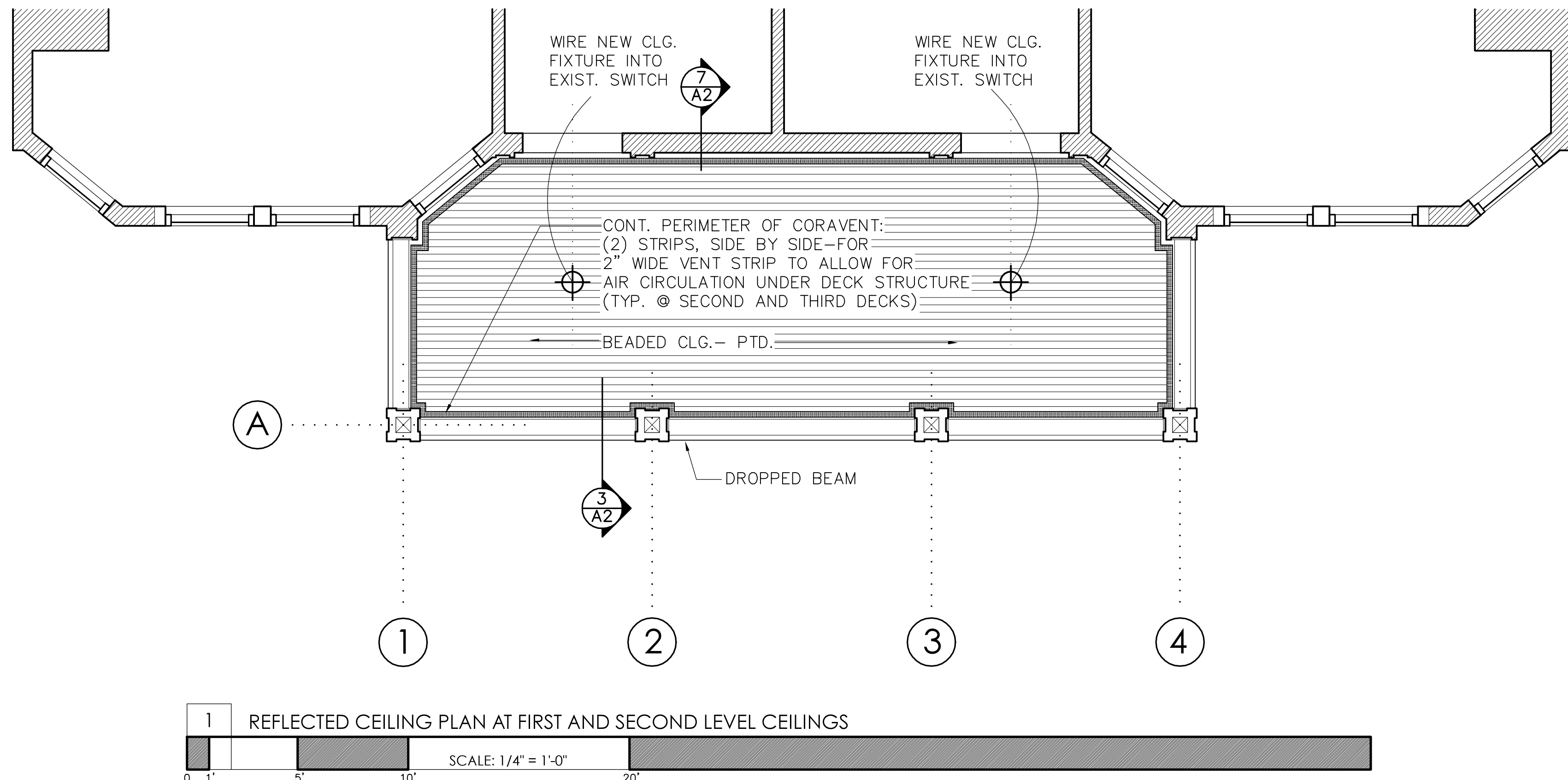
12-14 Taylor Street Apartments

Exterior Porch renovation: Portland, Maine

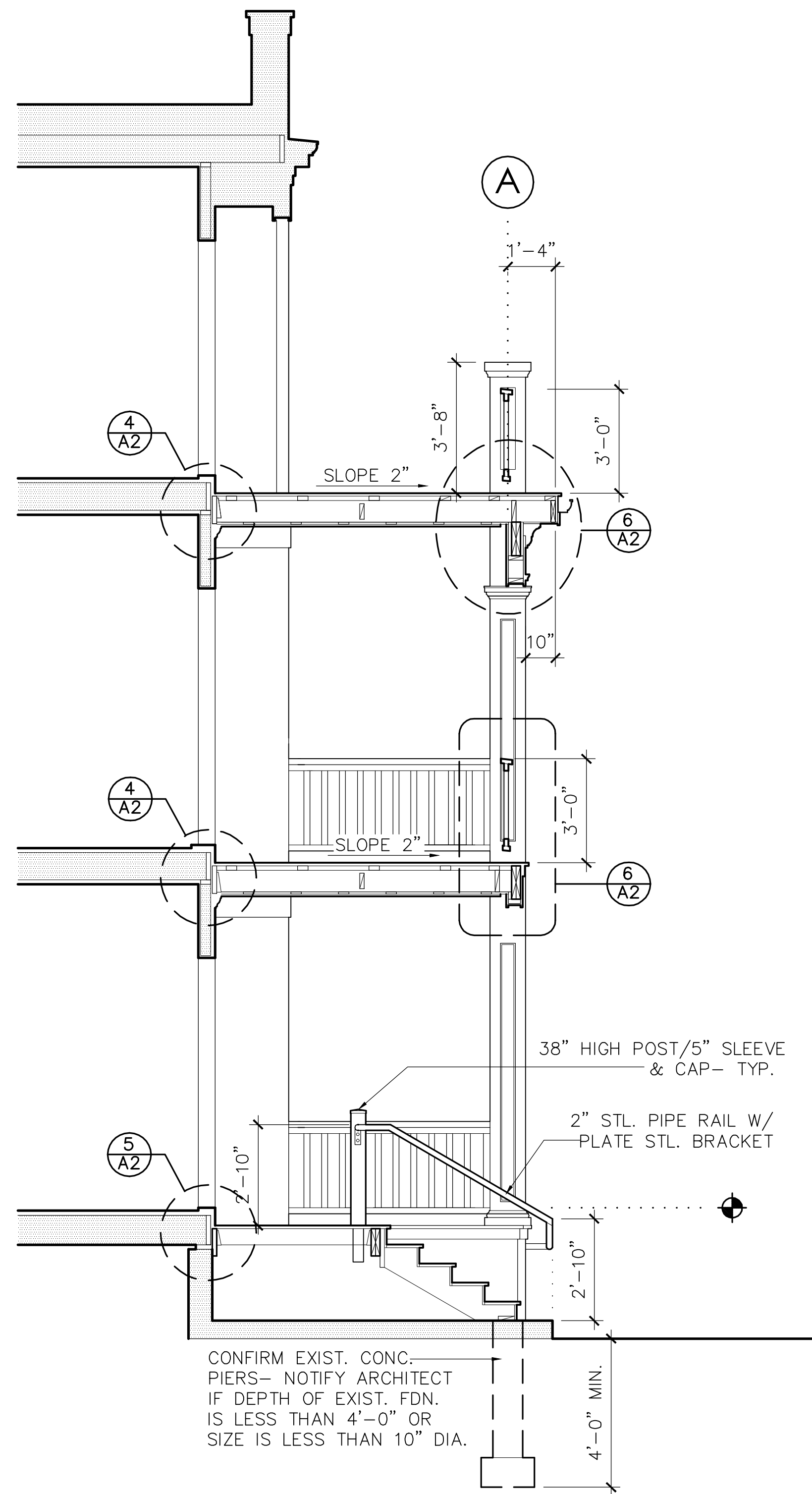
AUGUST 1, 2013
SECTION, DETAILS, & CEILING PLAN

CONSTRUCTION SET

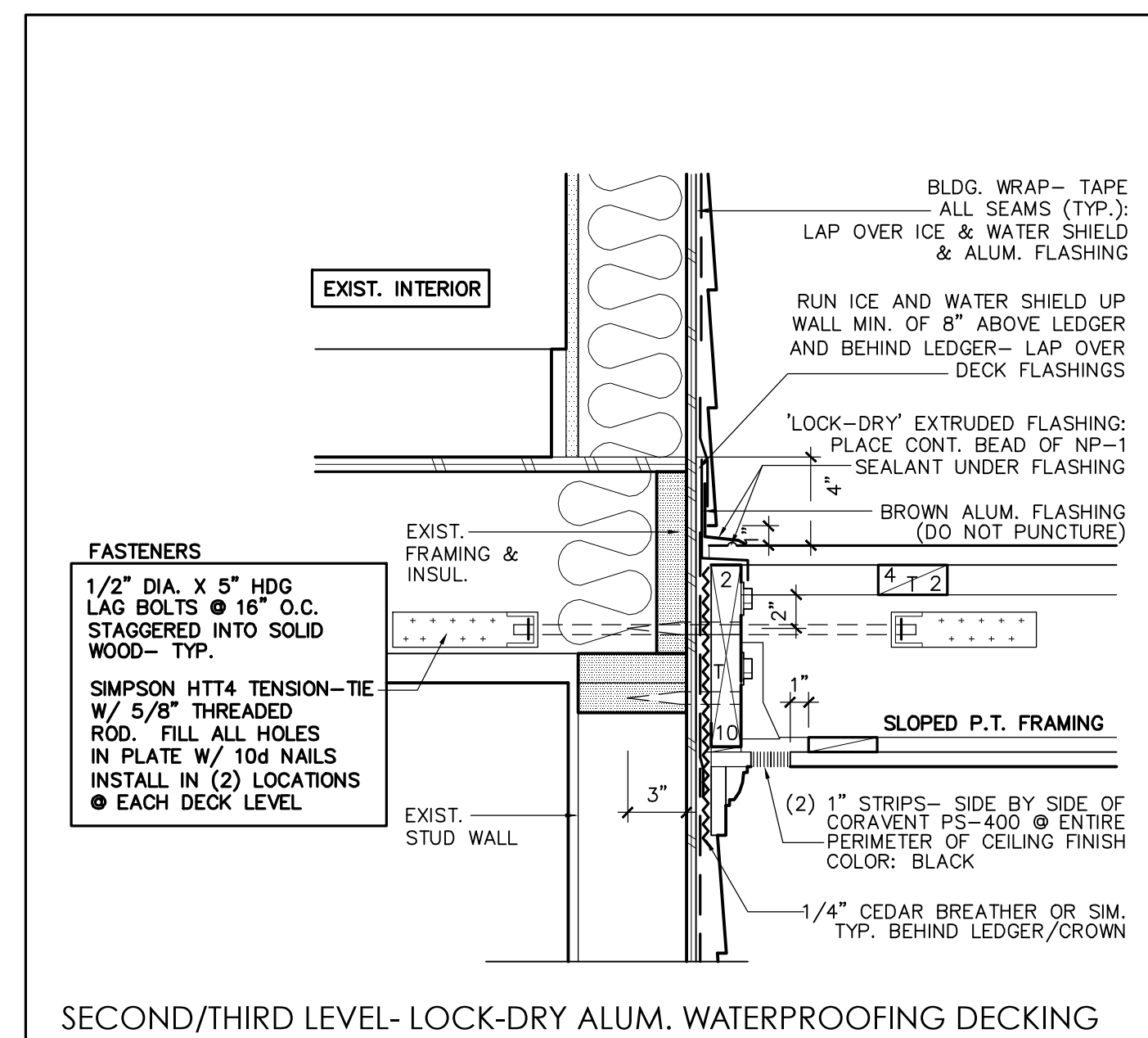
A2



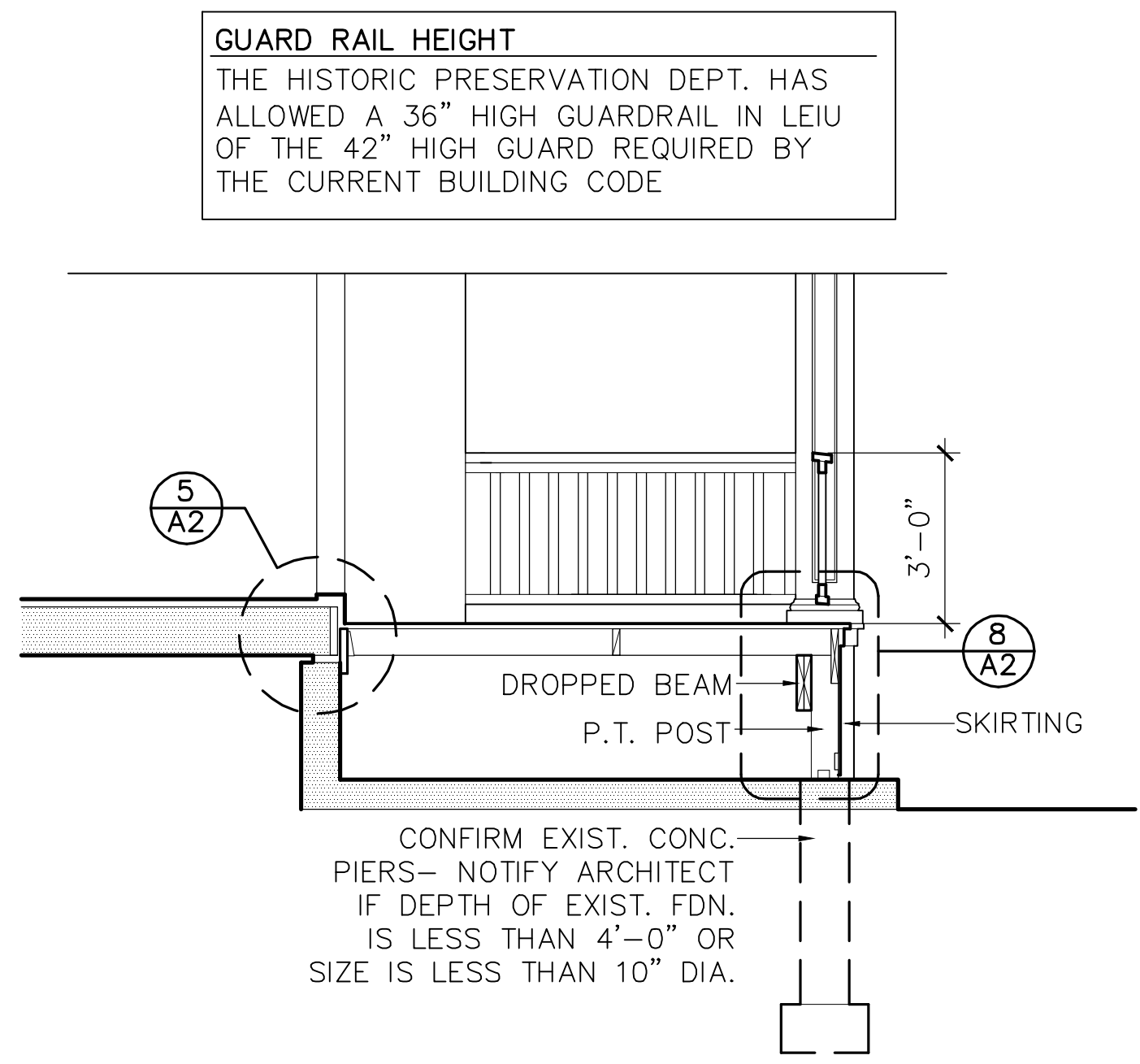
1 REFLECTED CEILING PLAN AT FIRST AND SECOND LEVEL CEILINGS
SCALE: 1/4" = 1'-0"



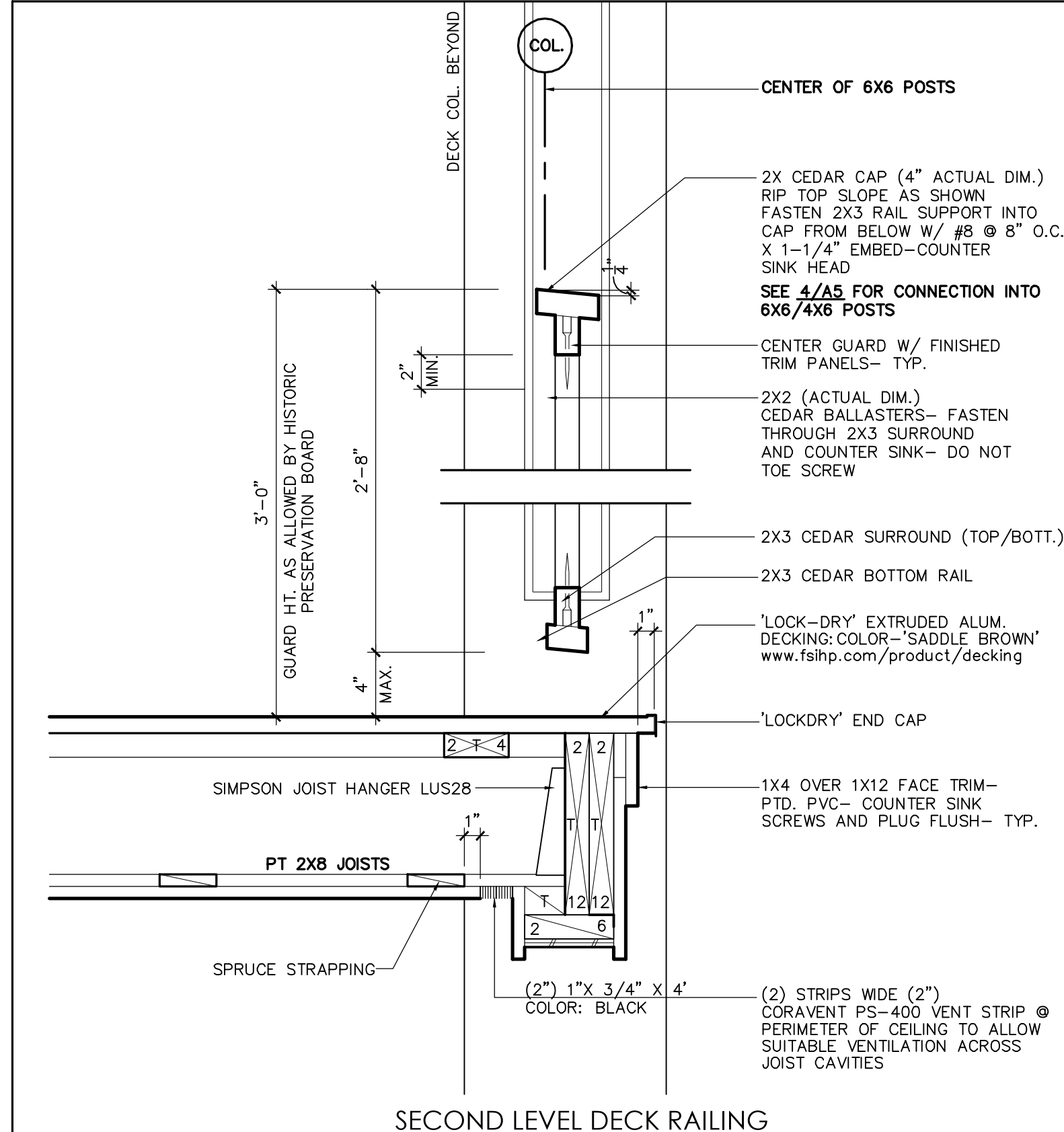
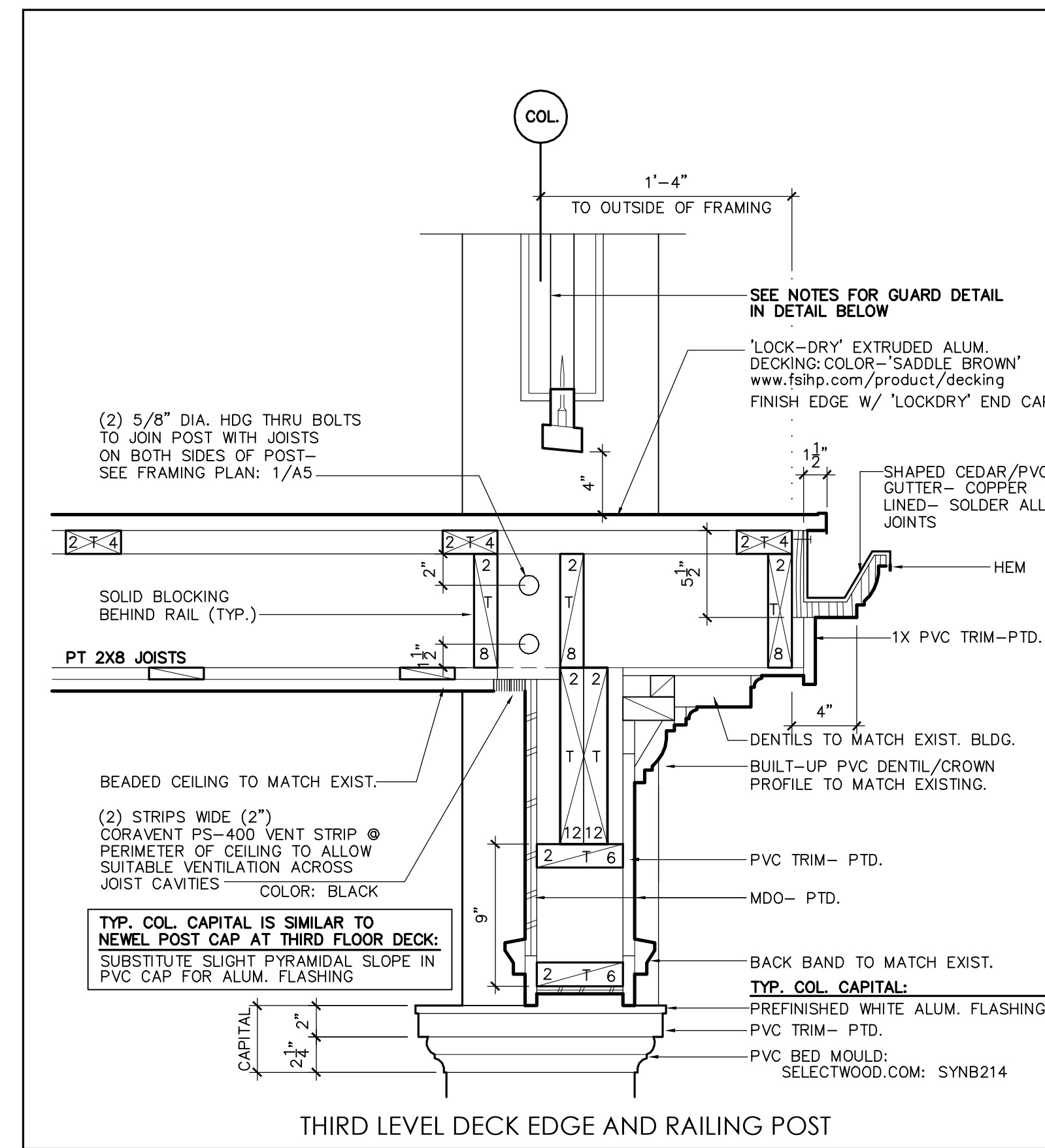
2 FRONT PORCH SECTION AT CENTER
SCALE: 1/4" = 1'-0"



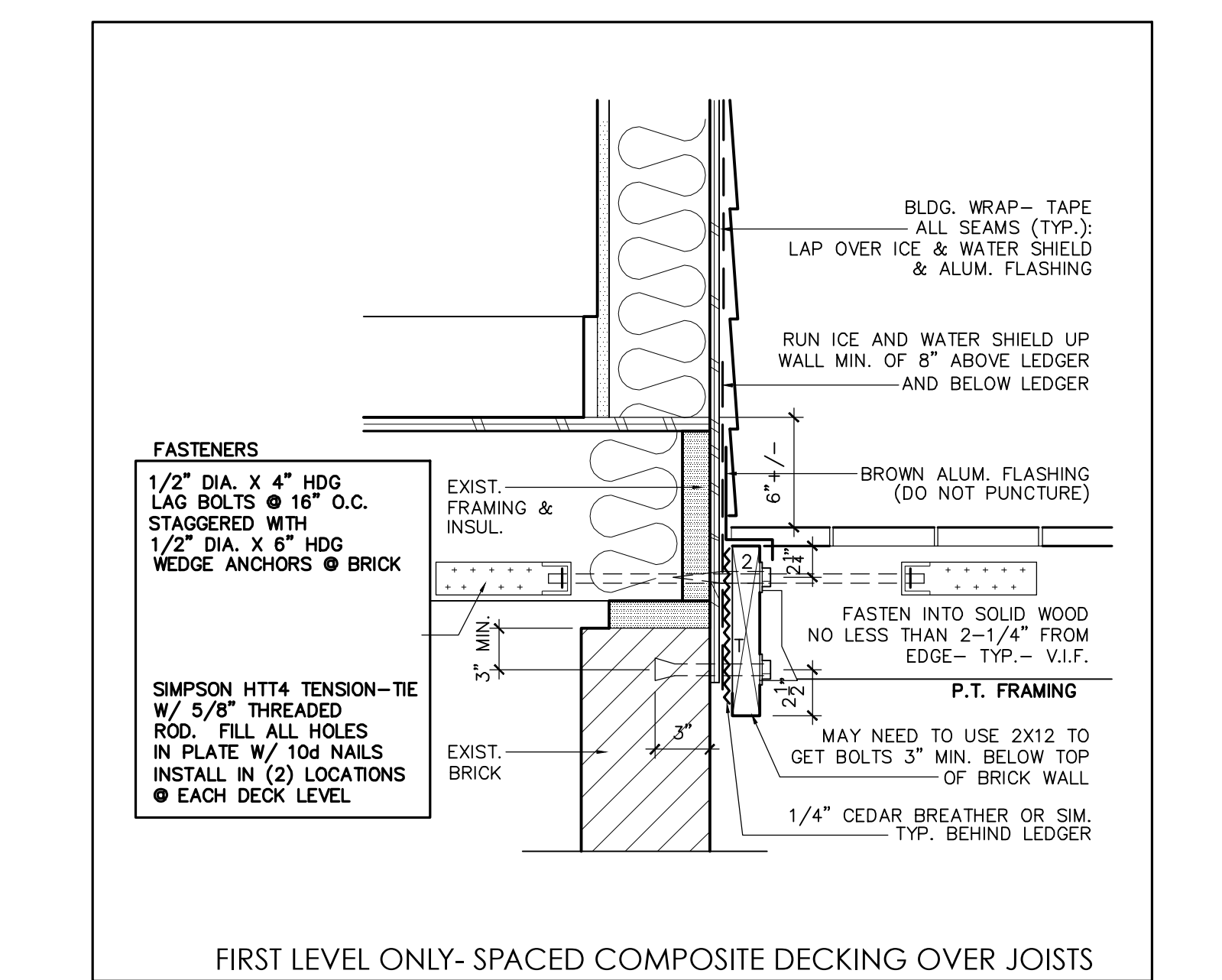
4 GUARD AND DECK EDGE DETAILS
SCALE: 1-1/2" = 1'-0"



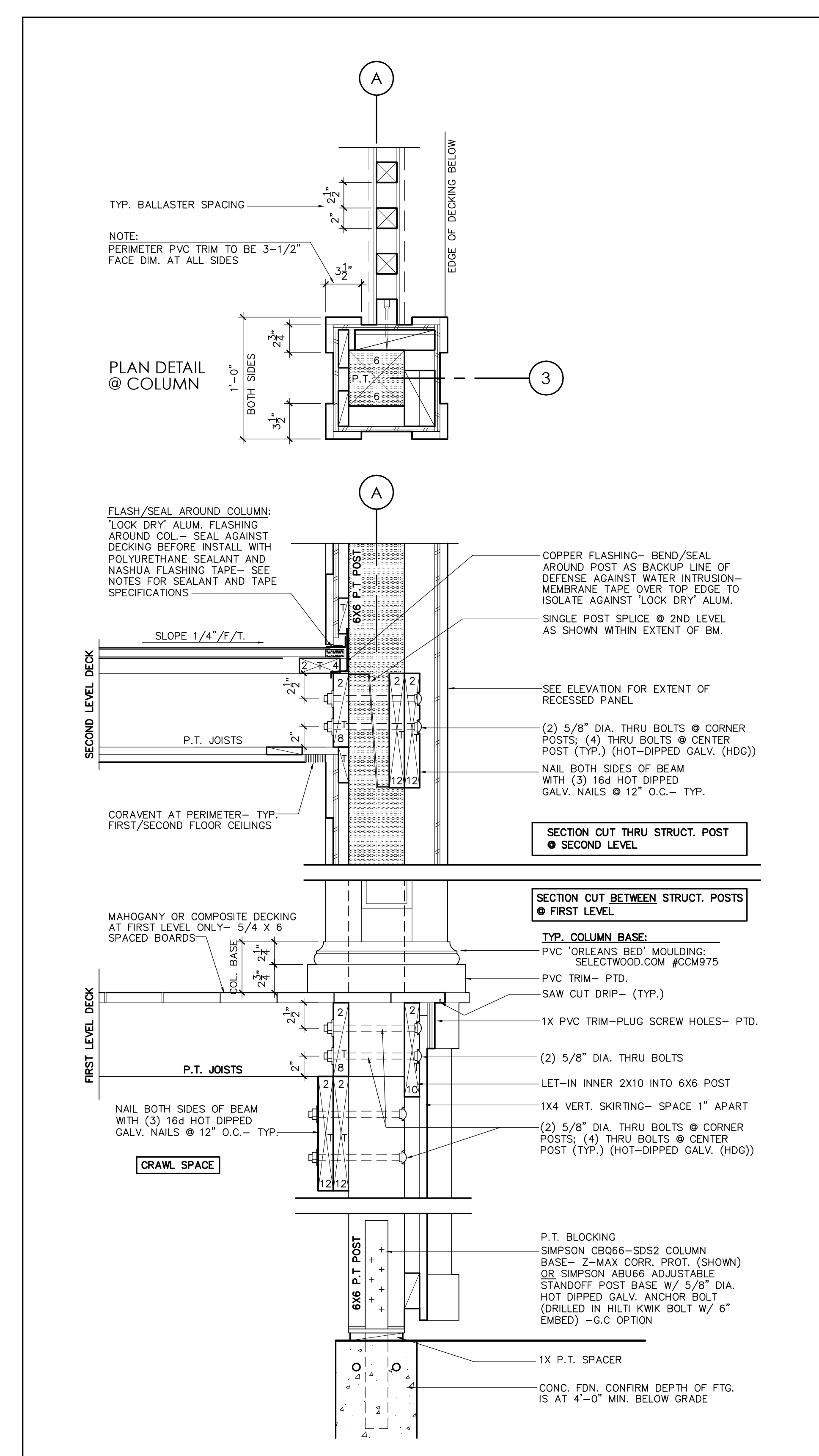
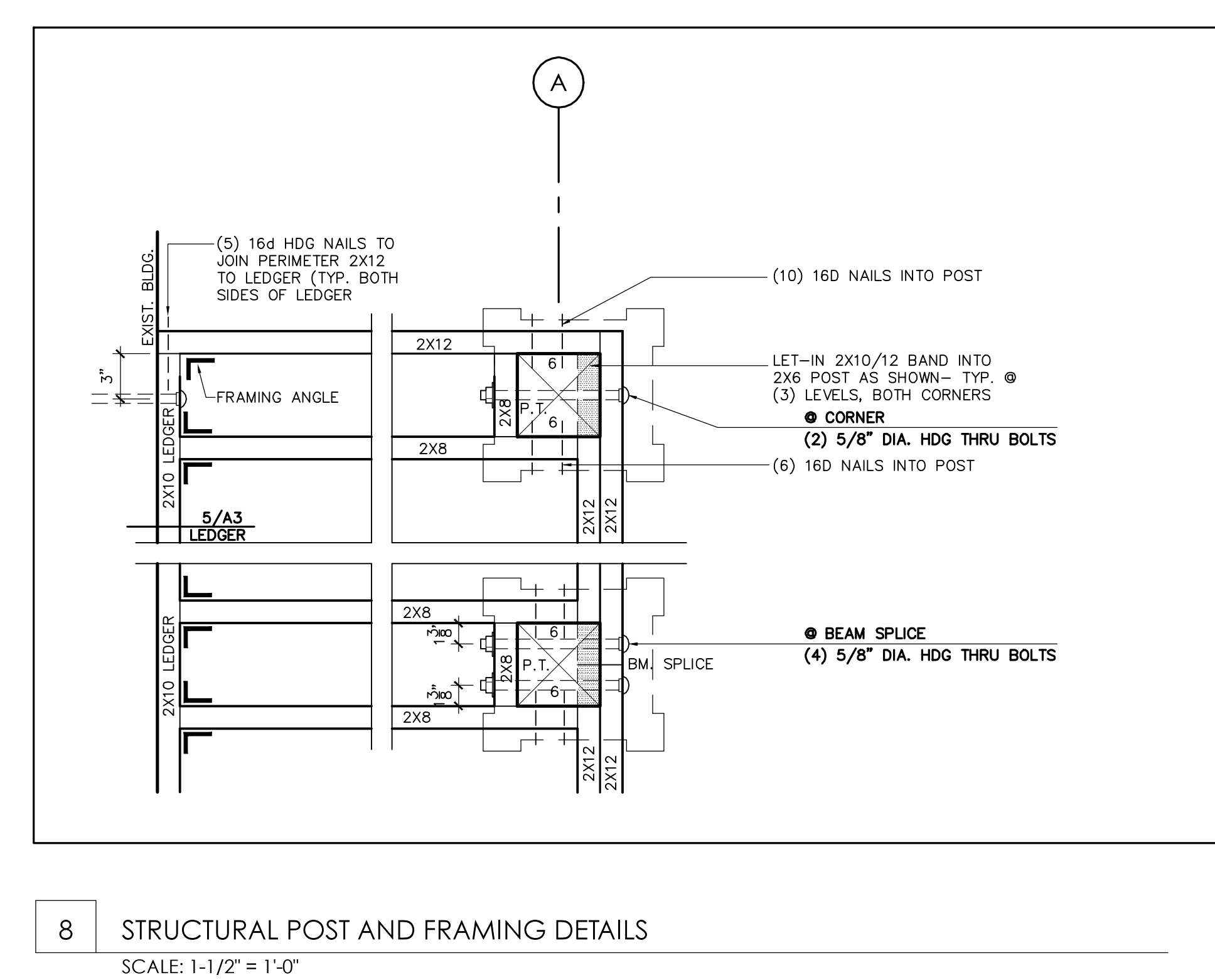
3 FIRST LEVEL SECTION AT GUARD RAIL
SCALE: 1/4" = 1'-0"



6 GUARD AND DECK EDGE DETAILS
SCALE: 1-1/2" = 1'-0"



5 LEDGER DETAILS
SCALE: 1-1/2" = 1'-0"



7 STRUCTURAL POST AND FRAMING DETAILS
SCALE: 1-1/2" = 1'-0"