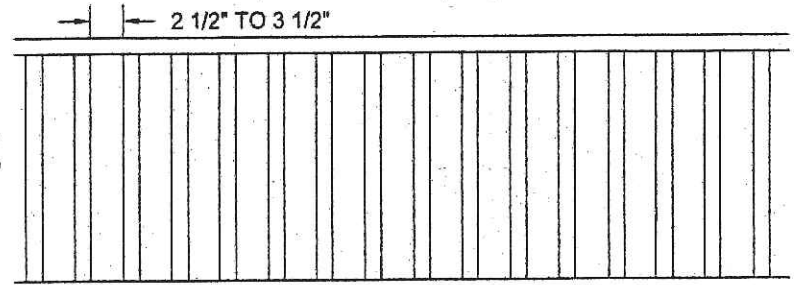
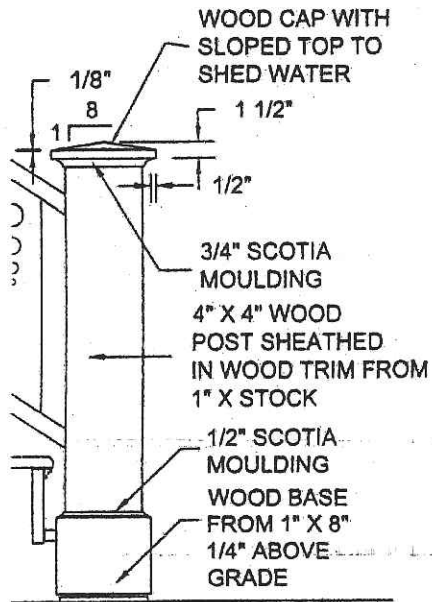


GREEK REVIVAL PORCH DETAILS

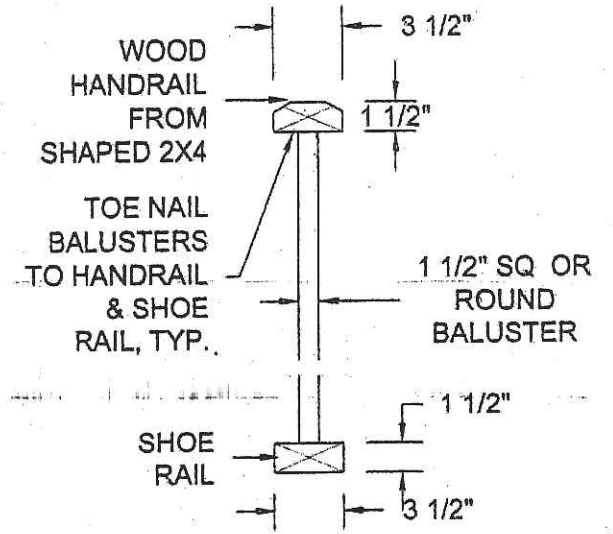
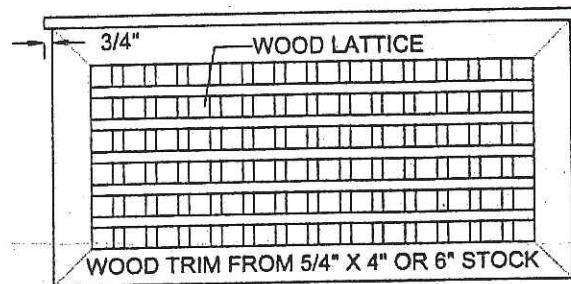
Typical Greek Revival Balusters



SQUARE OR ROUND BALUSTERS FROM 2" X 2" STOCK. FINISHED SIZE IS 1 1/2" X 1 1/2".



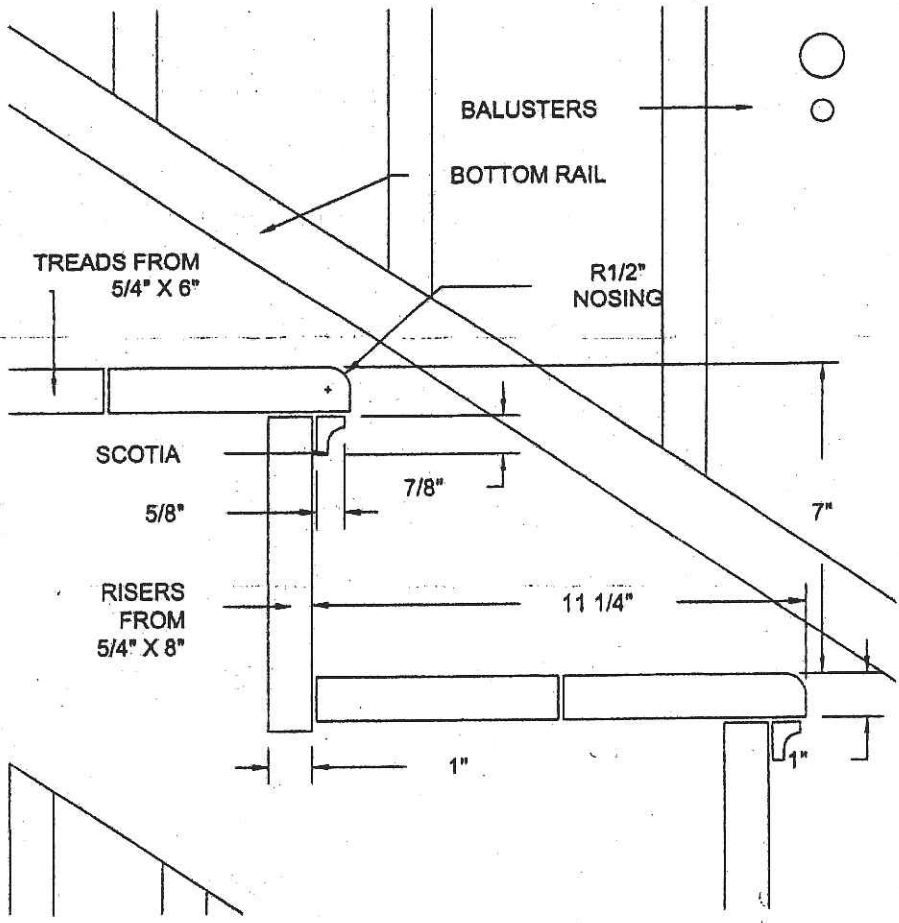
Typical Greek Revival Newel Posts.



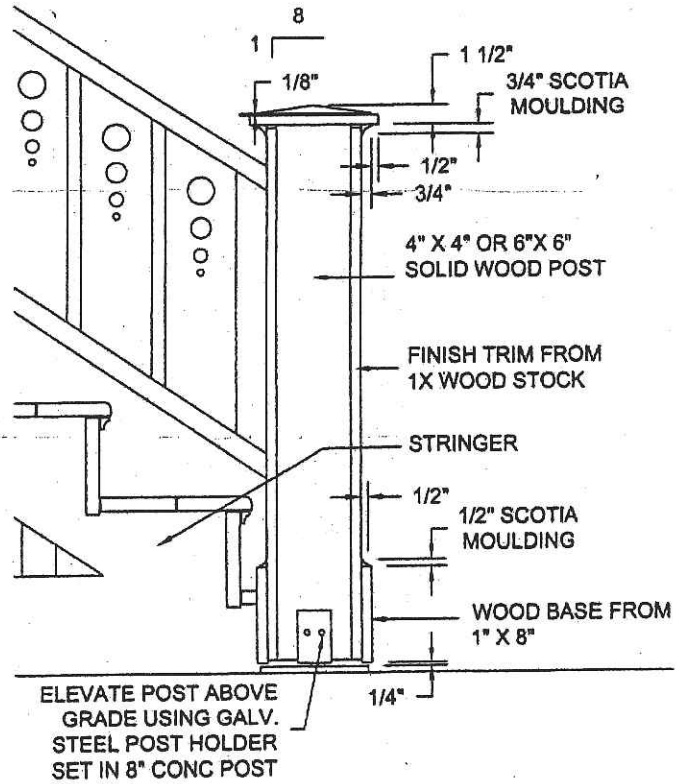
Baluster construction

STAIR DETAILS FOR RESIDENTIAL USE

Typical residential risers and treads

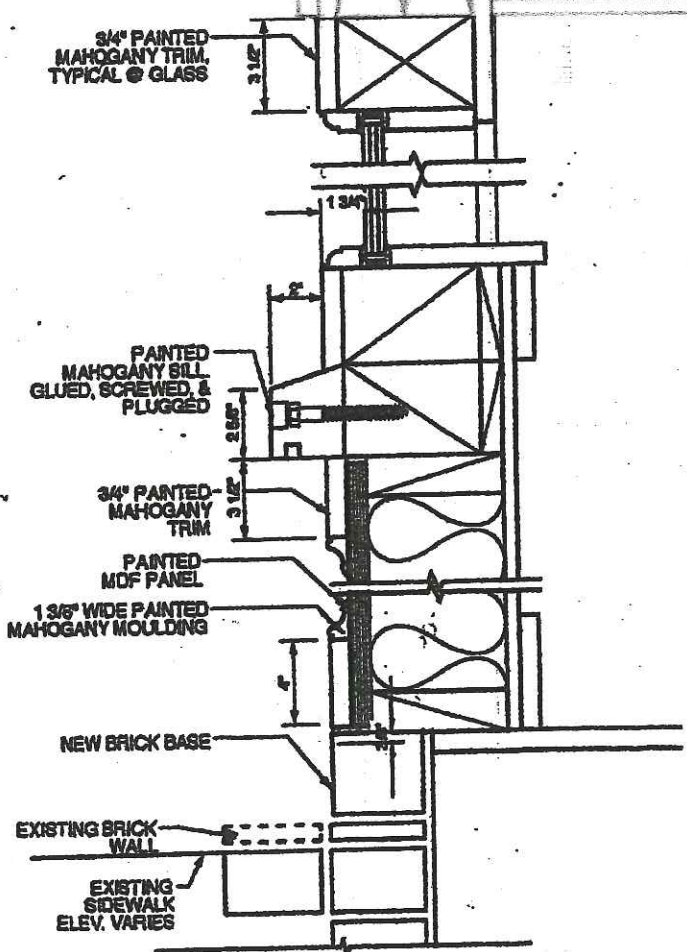


Typical newel post construction



Alternate: Newel post may be bolted to a stringer.

245 SPRING ST.



STOREFRONT SECTION

245 SPRING ST. PORTLAND, ME
 SOUTH ELEVATION OPT. 'B'
 1/4" = 1'-0" 7/10/17

LELAND HULST
 ARCHITECTURAL SERVICES

278 Spring Street / Portland, Maine 04102 / (207) 773-2843