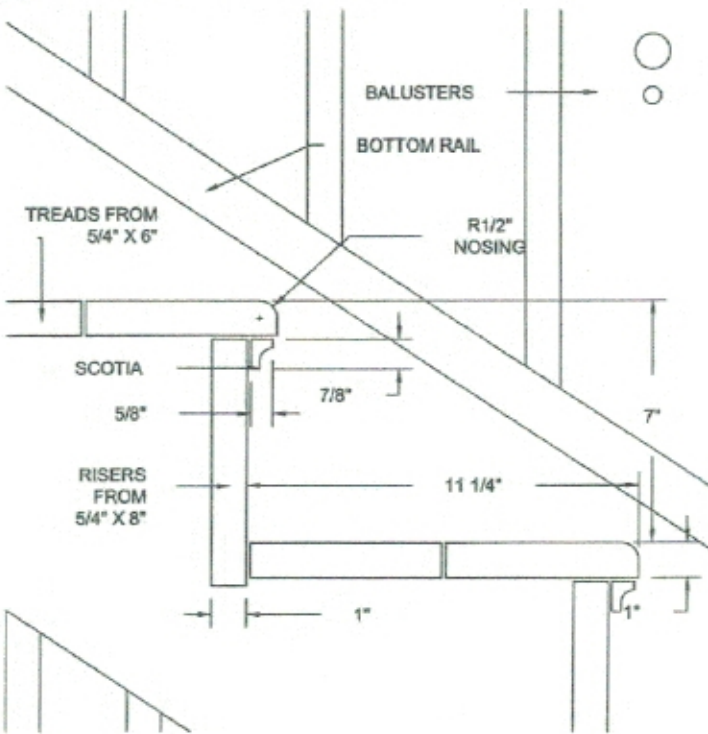
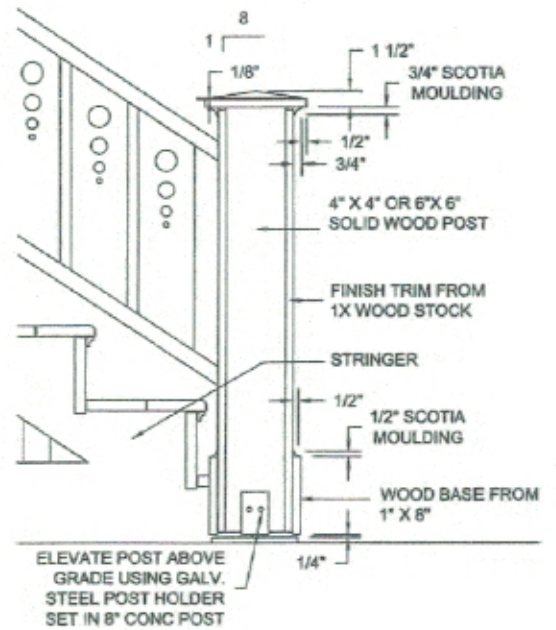


STAIR DETAILS FOR RESIDENTIAL USE

Typical residential risers and treads

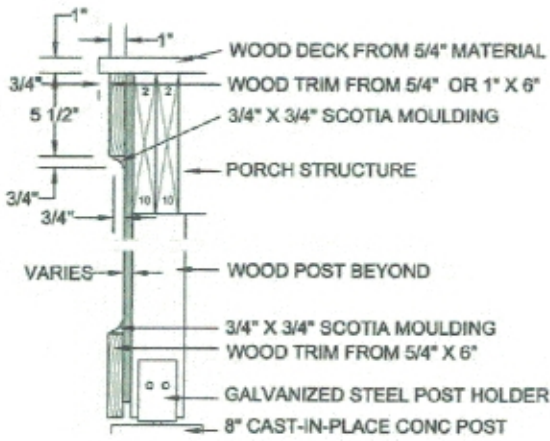


Typical newel post construction

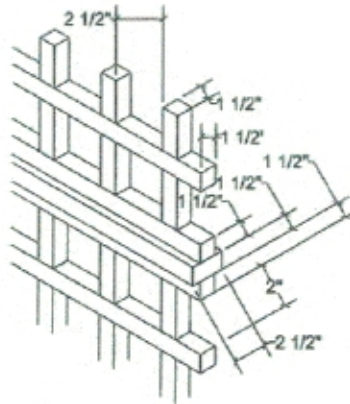


Alternate: Newel post may be bolted to a stringer.

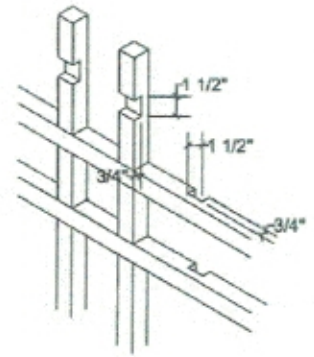
PORCH SKIRT DETAILS



Construction of typical porch skirting



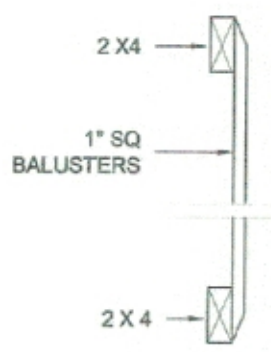
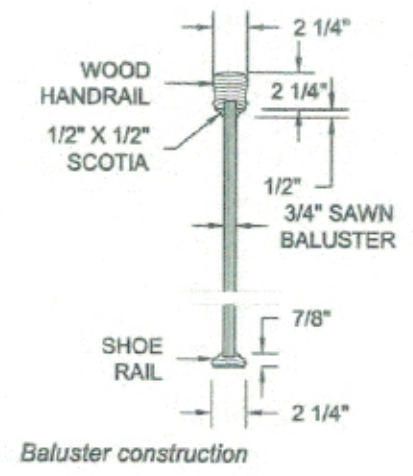
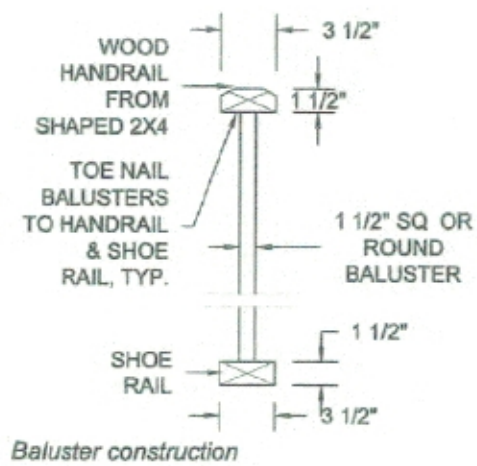
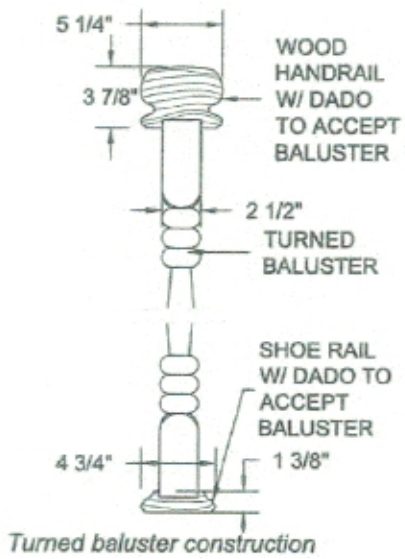
Lattice construction



Lattice construction

*Note: If prefabricated lattice is to be used, it should be the heaviest grade and highest quality material available.*

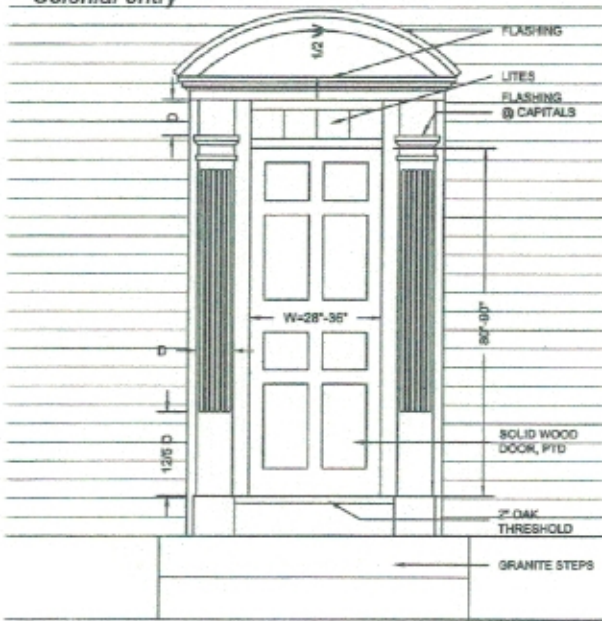
BALUSTER DETAILS



*This type of baluster, while easy to construct, is not appropriate for traditional buildings.*

COLONIAL & FEDERAL DETAILS

Colonial entry



Federal entry



Colonial and Federal balusters

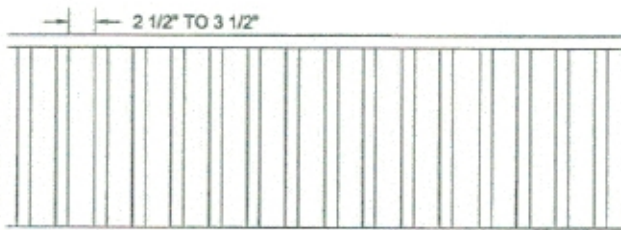


Colonial and Federal newel post



GREEK REVIVAL PORCH DETAILS

*Typical Greek Revival Balusters*



SQUARE OR ROUND BALUSTERS FROM 2" X 2" STOCK. FINISHED SIZE IS 1 1/2" X 1 1/2".

*Typical Greek Revival Porch Skirting*

