



# Design Your Door

1

EDIT

2

EDIT

3

EDIT

4



Smooth-Star®

S960

## DOOR SUMMARY

### Project

#### DOOR TYPE

Entry

#### PROJECT TYPE

Replacing Existing Door

#### CONFIGURATION

Single with Sidelites

#### DOOR SIZE

**Door Style**

---

**Sidelite**

---

**Smooth-Star®  
S960**

**Smooth-Star®  
S100SL**

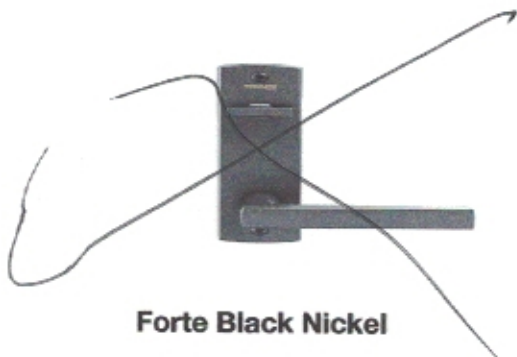
**Finish Option**

---

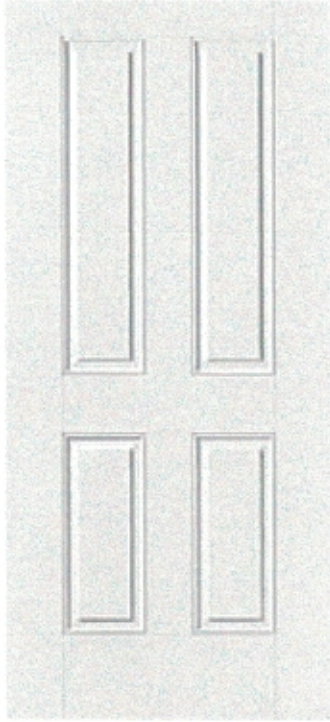
**Alpine**

**Accessories**

---



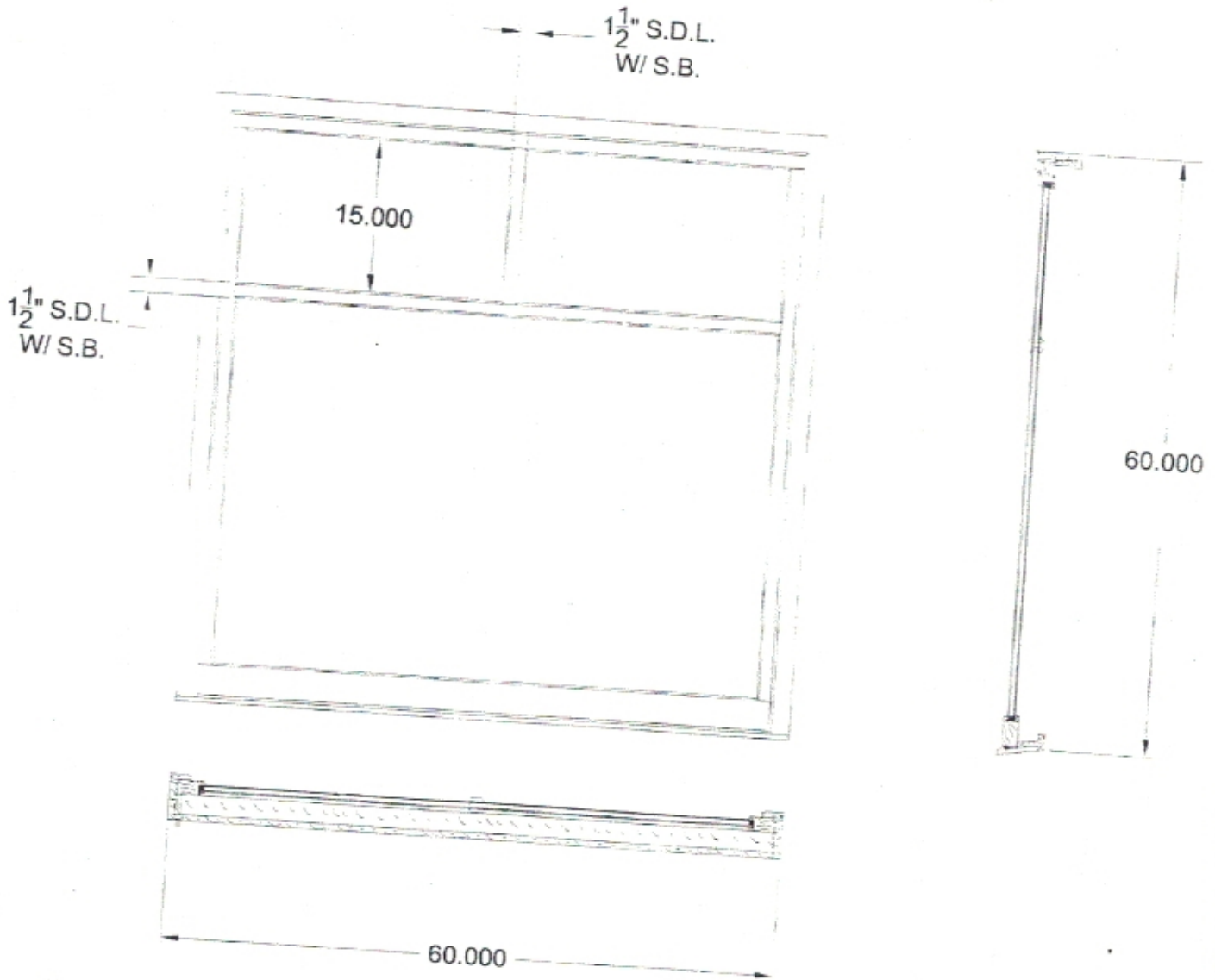
**Forte Black Nickel**



5960  
fiberglass



S 259  
Fiberglass  
Clear Glass



MY SIGNATURE BELOW INDICATES MY APPROVAL  
OF DESIGN AND DIMENSIONS AS SHOWN.  
I AUTHORIZE PRODUCTION OF SAME.

CUSTOMER: \_\_\_\_\_  
BY: \_\_\_\_\_  
DATE: \_\_\_\_\_

315280 LINE-1 (QTY-1)

THE INFORMATION CONTAINED IN THIS DRAWING IS THE  
SOLE PROPERTY OF TRIMLINE WINDOWS INC. ANY  
REPRODUCTION IN PART OR AS A WHOLE WITHOUT THE  
WRITTEN PERMISSION OF TRIMLINE WINDOWS INC IS  
PROHIBITED.

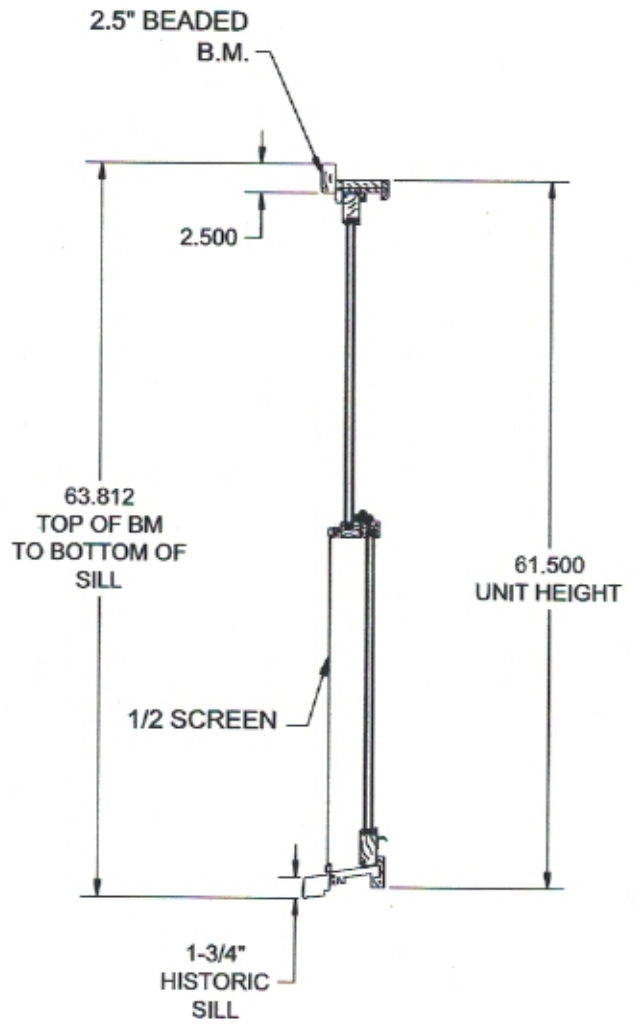
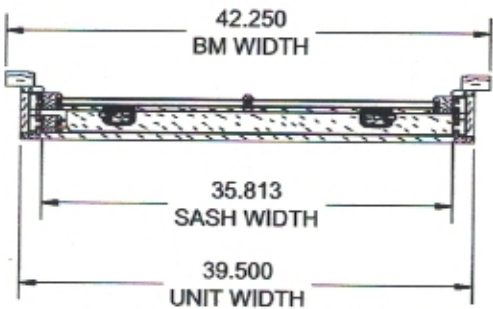
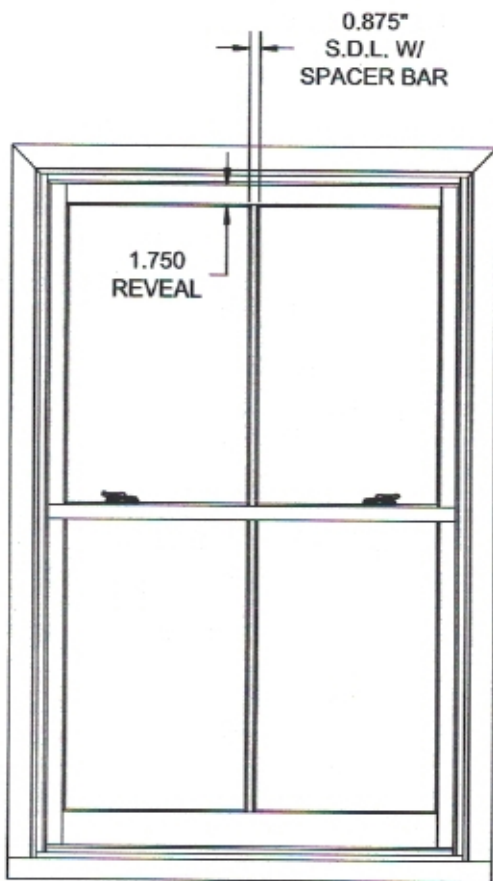
DESCRIPTION:  
LPW 200 WITH CUSTOM GRILLE

**TRIMLINE**  
WOOD WINDOWS  
501.ouise Drive  
Lyland, Pennsylvania, 18974

CUSTOMER: ABC SUPPLY

SIZE: A SCALE: N.T.S. SHEET: 1 OF 1

DRAWN BY: L.Z. DATE: 8/11/17 DWG #: A-185R



MY SIGNATURE BELOW INDICATES MY APPROVAL OF DESIGN AND DIMENSIONS AS SHOWN. I AUTHORIZE PRODUCTION OF SAME.

CUSTOMER: \_\_\_\_\_

BY: \_\_\_\_\_

DATE: \_\_\_\_\_

THE INFORMATION CONTAINED IN THIS DRAWING IS THE SOLE PROPERTY OF TRIMLINE WINDOWS INC. ANY REPRODUCTION IN PART OR AS A WHOLE WITHOUT THE WRITTEN PERMISSION OF TRIMLINE WINDOWS INC. IS PROHIBITED.



DESCRIPTION:  
EW-300 W/ CUSTOM BEADED BRICKMOULD

CUSTOMER: \_\_\_\_\_

SIZE: A	SCALE: N.T.S.	SHEET: 1 OF 1
---------	---------------	---------------

DRAWN BY: L.Z.	DATE: 6/7/17	DWG #: A-1809-A
----------------	--------------	-----------------

