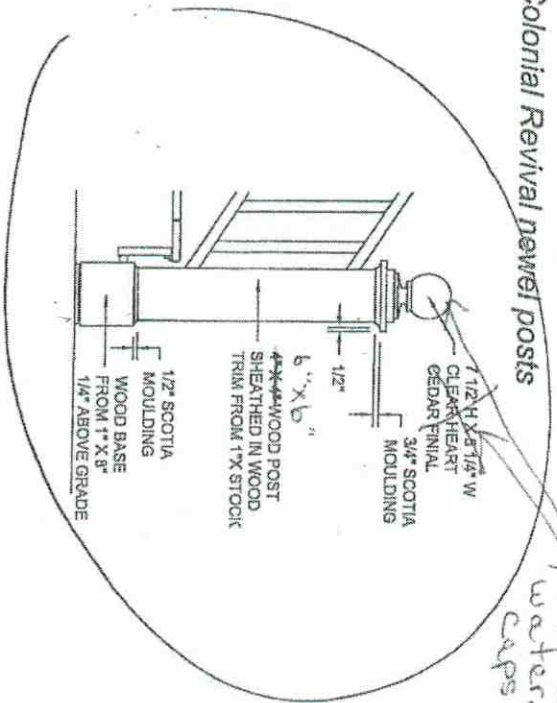
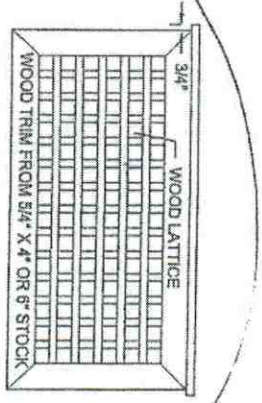
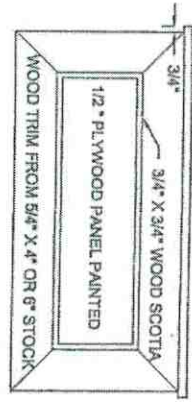
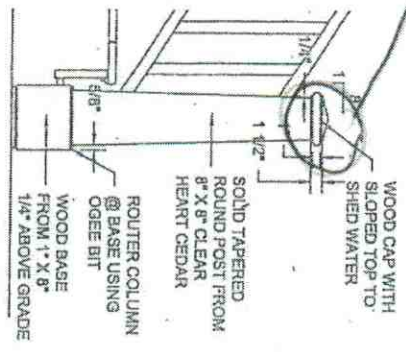


COLONIAL REVIVAL DETAILS

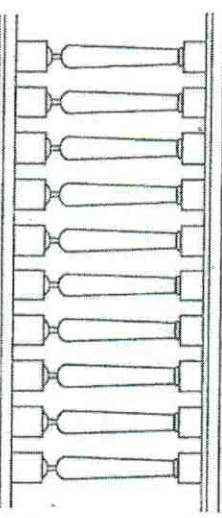
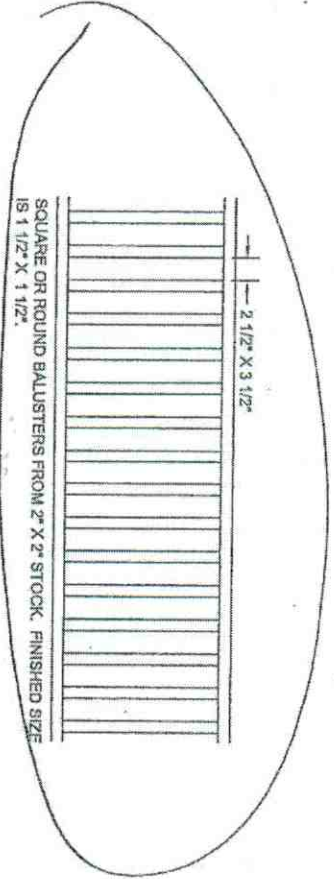
Colonial Revival newel posts



Top will be a wood cap with sloped top to shed water. To match wood caps on front porch



Colonial Revival porch skirting



Colonial Revival baluster